



Plastic Enclosures



POLYCARBONATE AND ABS ENCLOSURES

4



SEALED DUAL-COMPARTMENT ENCLOSURES

70



PLASTIC UTILITY ENCLOSURES

83



PLASTIC MOLDED ENCLOSURES

109



HAND-HELD ELECTRONIC ENCLOSURES

117



CONTENTS



PLASTIC T-CASES

132



PLASTIC PROJECT ENCLOSURES

140



CONTROLLER ENCLOSURES

146



19" RACK MOUNT PLASTIC ENCLOSURES

148



SNAP IN PLASTIC CASES

150



SNAP-IN PLASTIC BOX WITH HINGED COVER

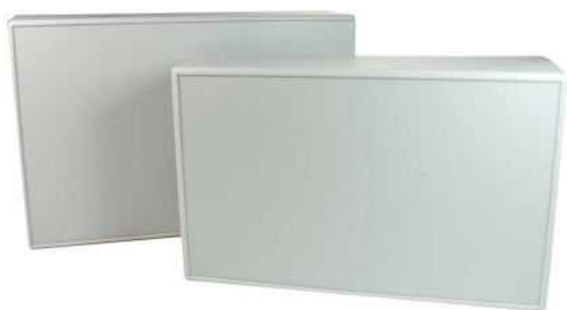
153



PRESSURE COMPENSATING ELEMENT

155

ABS Enclosures

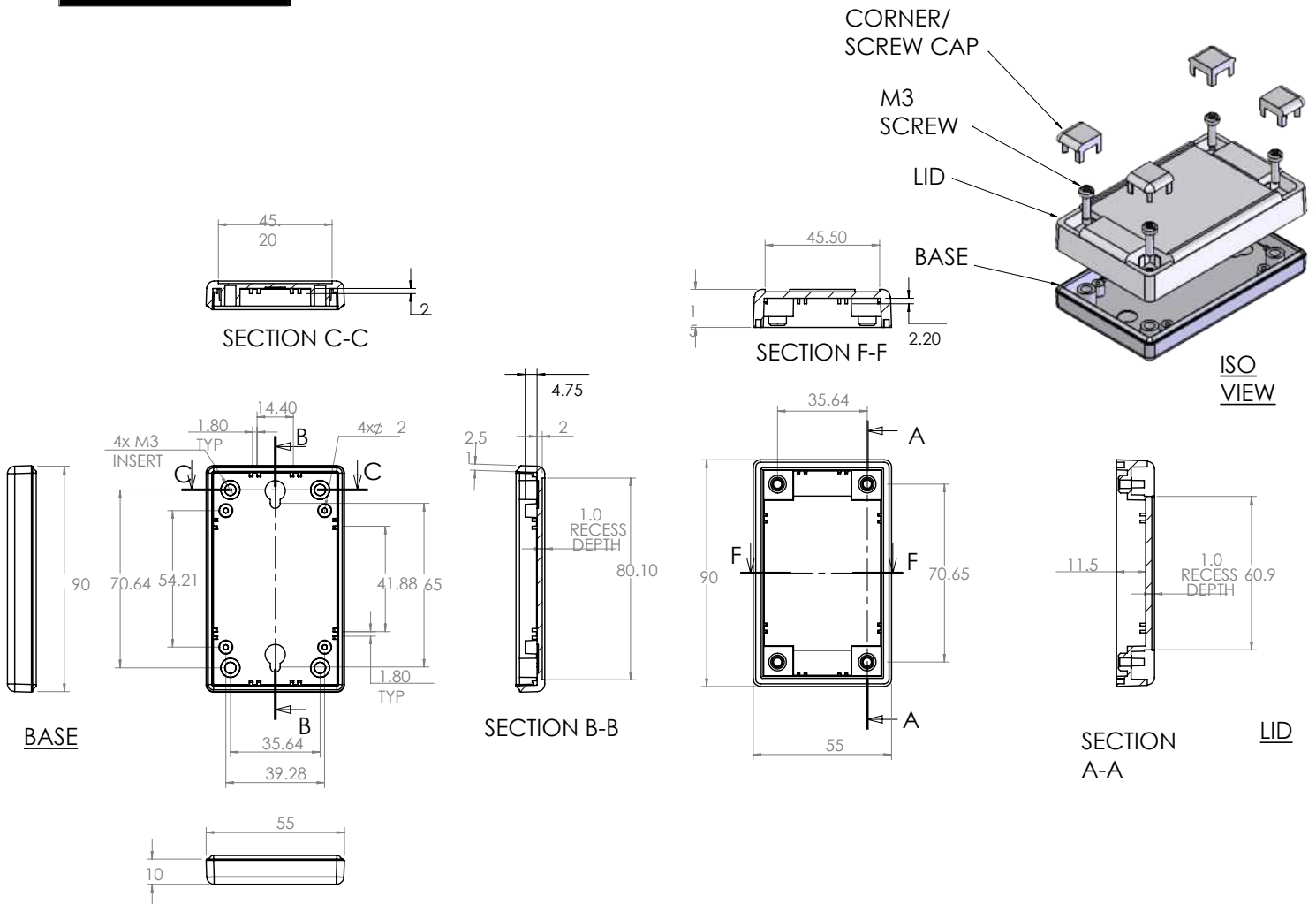


PRODUCT INFORMATION

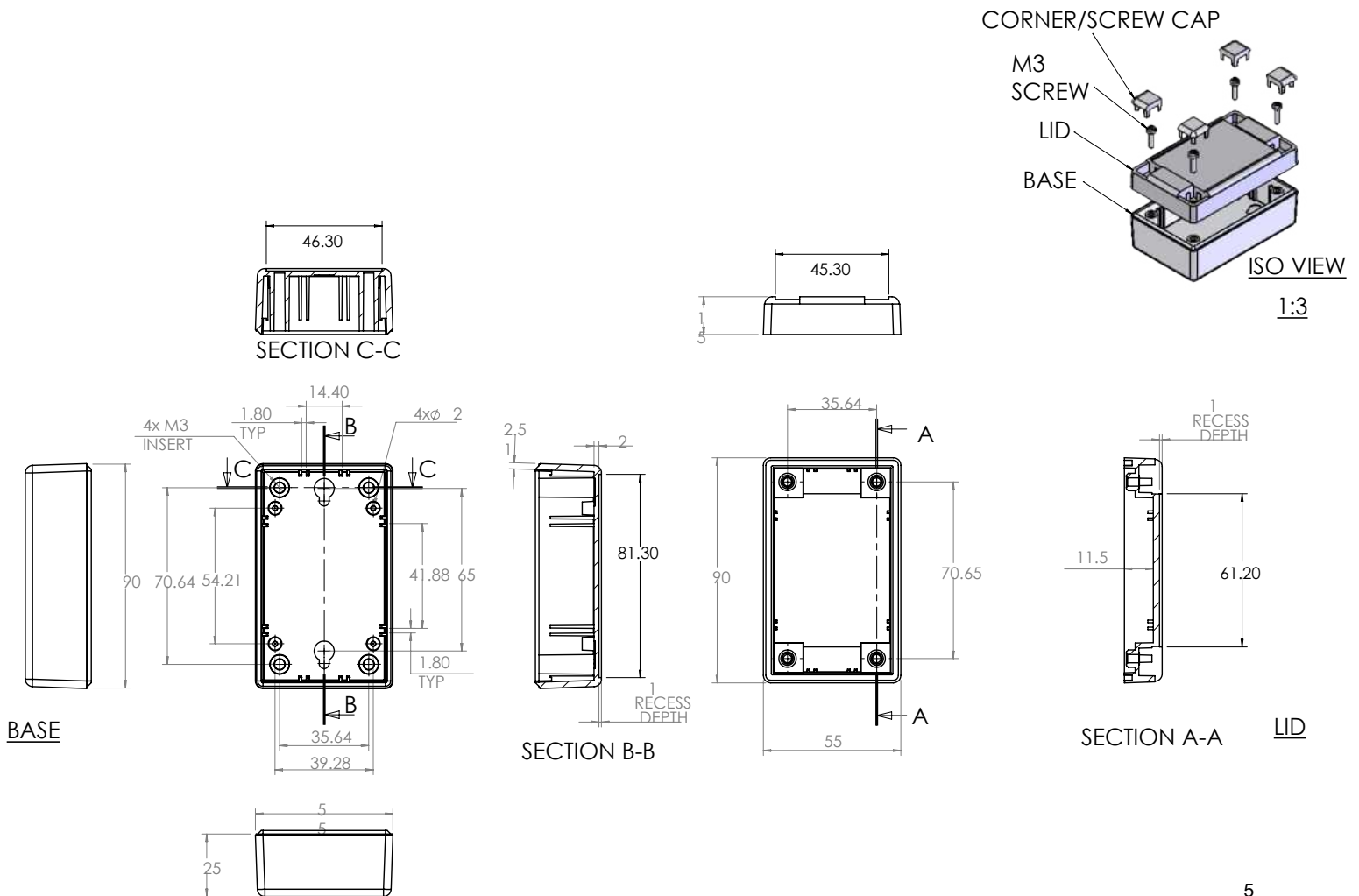
- Lid and base moulded in ABS
- Lid mounted by four M3 machine screws
- Plastic screw covers for aesthetic appearance
- Fine texture anti-scratch finish
- Recesses in lid and base designed to accept membrane keypads or overlays
- Integral mounting guides in lid and base for vertical PCB mounting
- Lid and base moulded in ABS
- PCB pillars in lid and base
- Designed to meet the requirements of IP54
- Or additionally, IP65 with the gasket accessory

ITEM No.	COLOUR	EXTERNAL DIMENSION(mm)
RND 455-00001	Light Grey	90 x 55 x 25
RND 455-00002	Light Grey	90 x 55 x 40
RND 455-00003	Light Grey	110 x 85 x 35
RND 455-00004	Light Grey	127 x 75 x 30
RND 455-00005	Light Grey	127 x 75 x 45
RND 455-00006	Light Grey	145 x 90 x 45.5
RND 455-00007	Light Grey	190 x 120 x 60
RND 455-00008	Light Grey	220 x 145 x 50
RND 455-00009	Light Grey	220 x 145 x 80

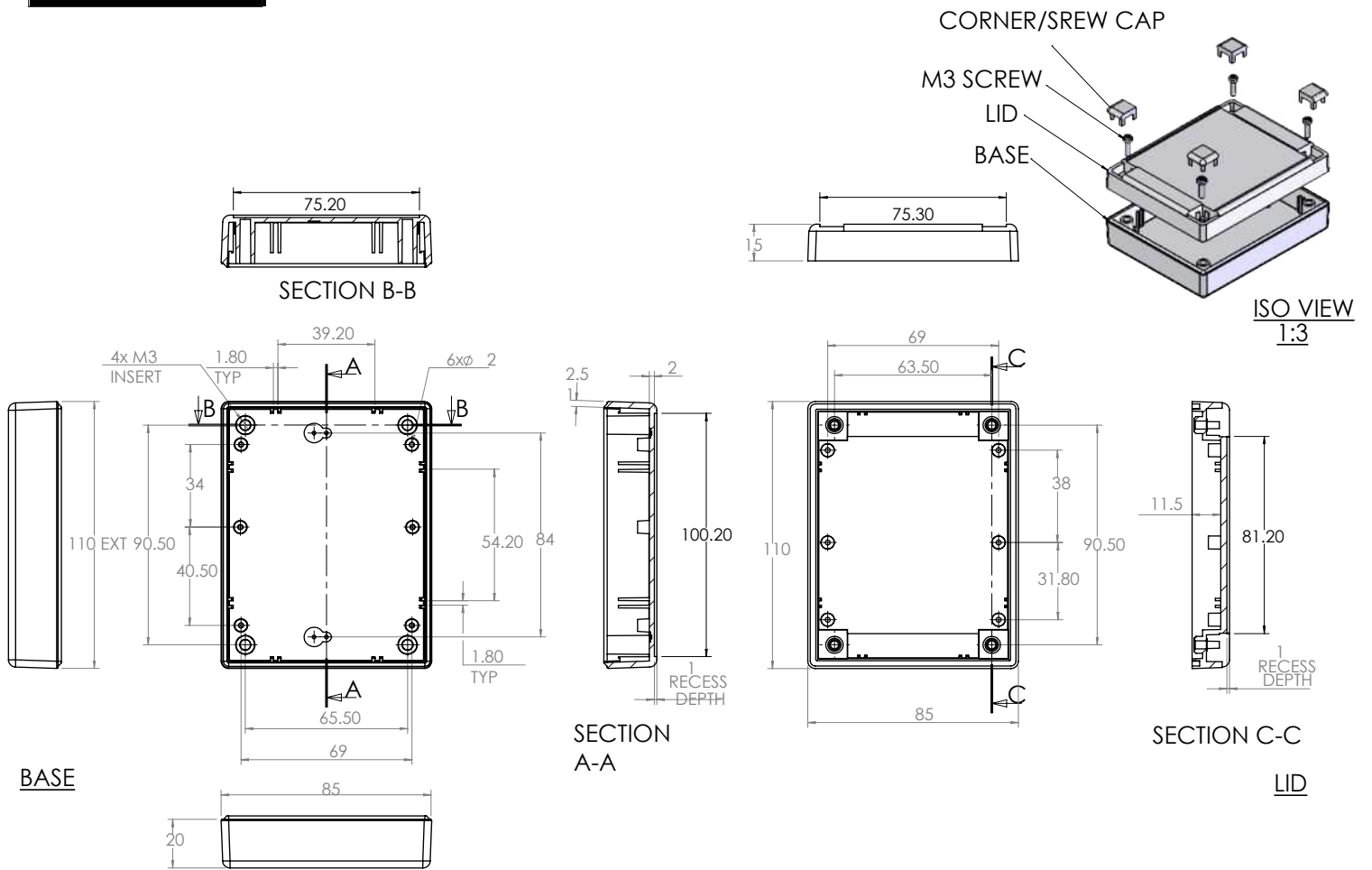
RND 455-00001



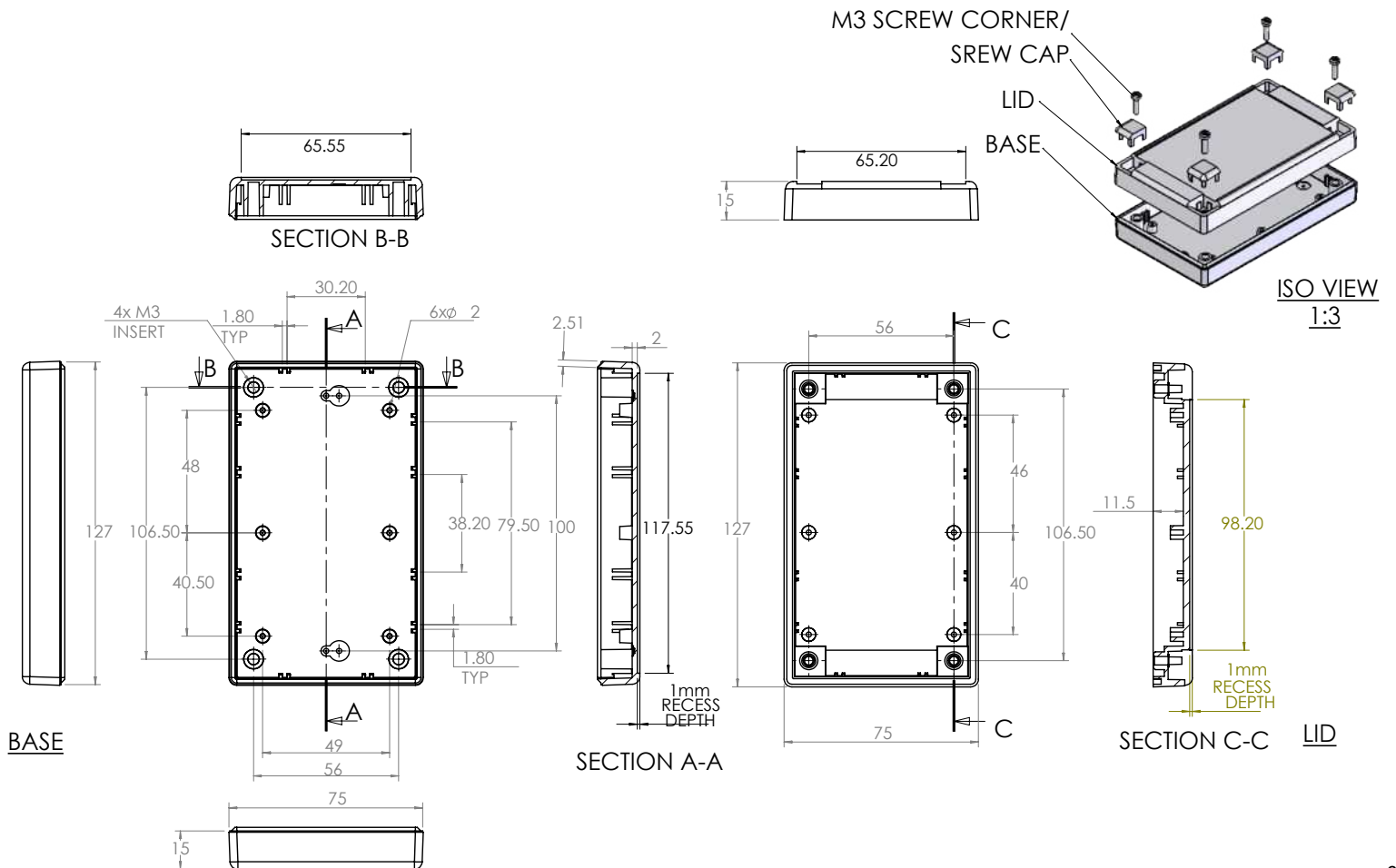
RND 455-00002



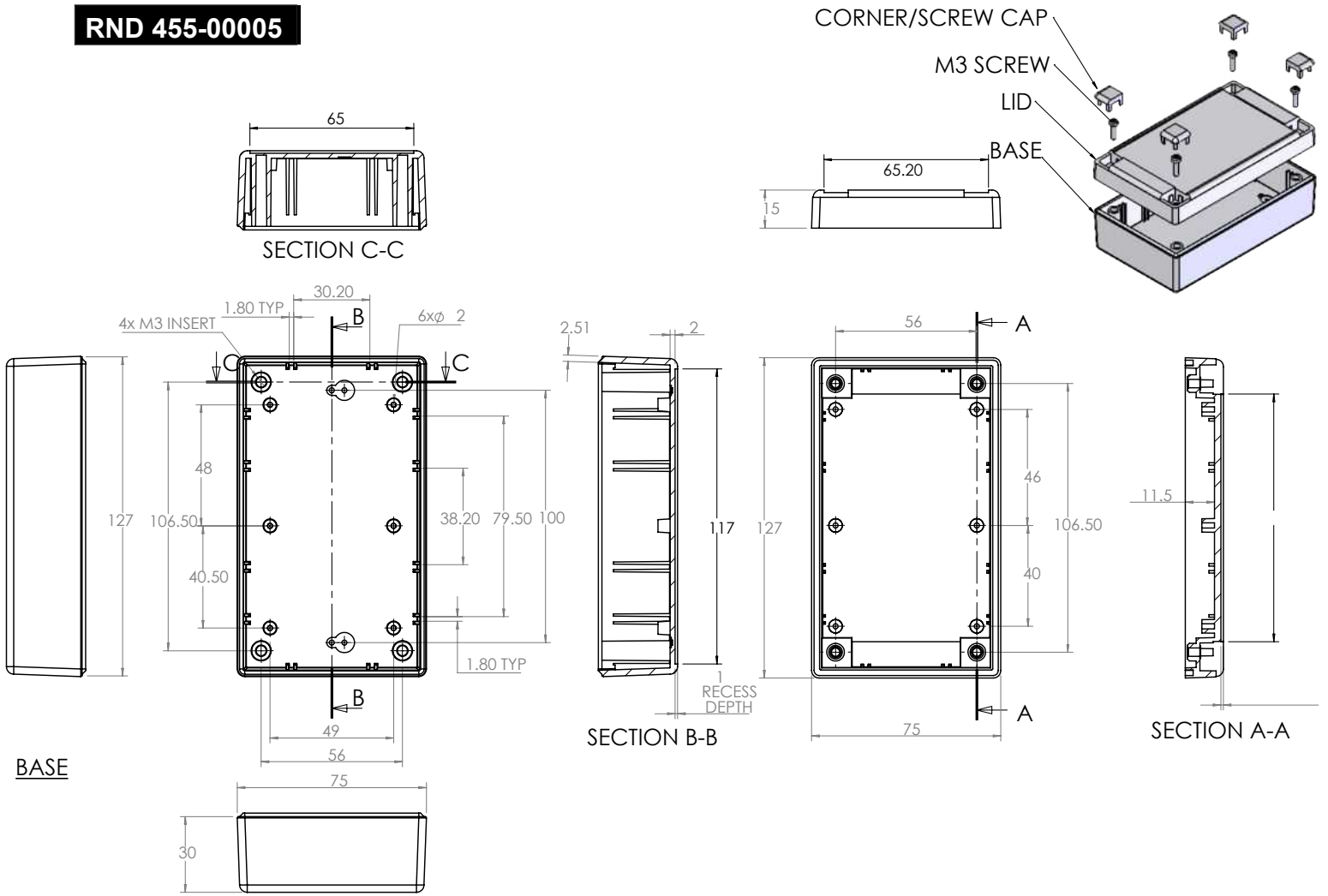
RND 455-00003



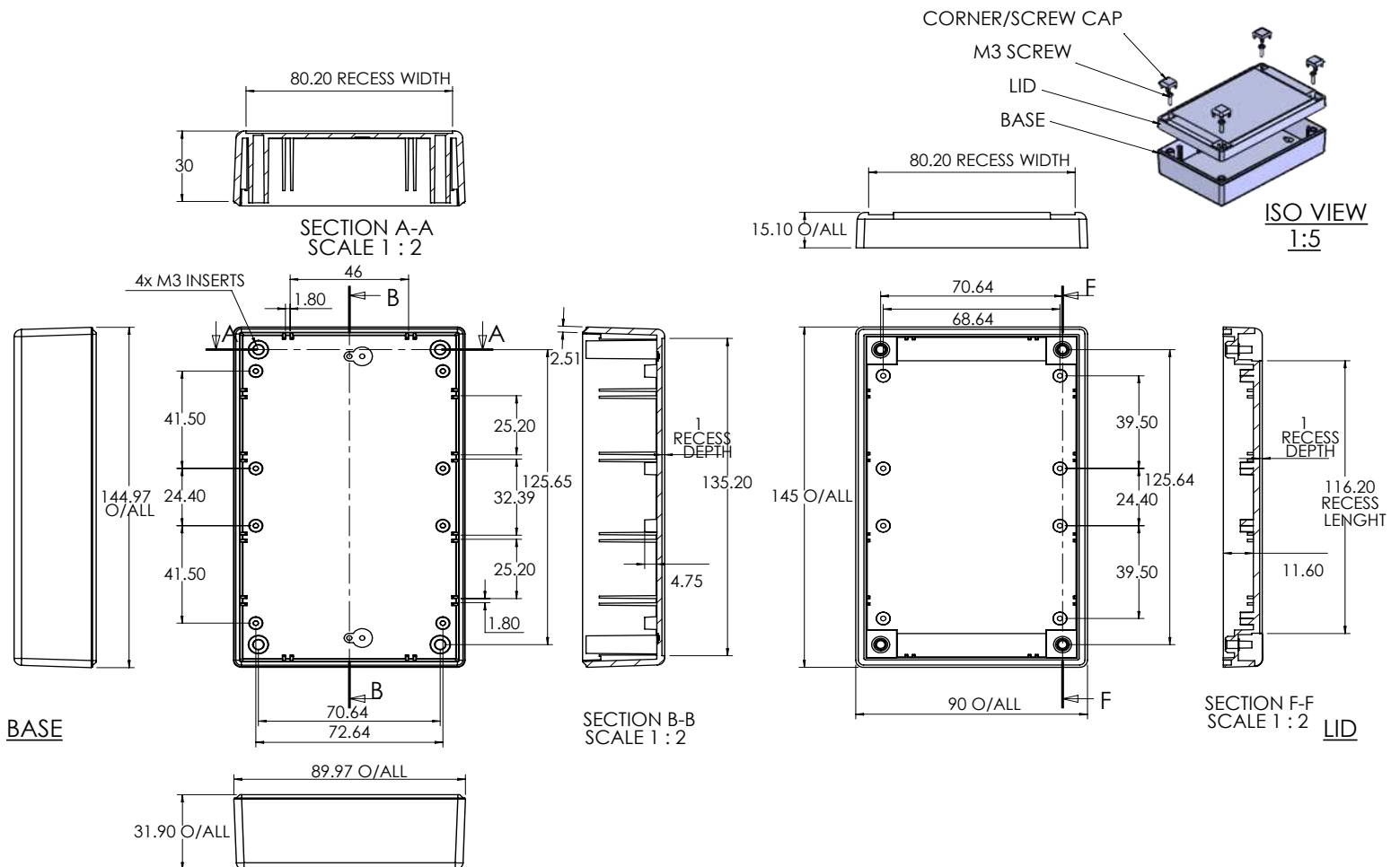
RND 455-00004



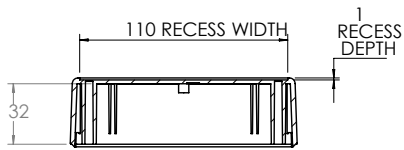
RND 455-00005



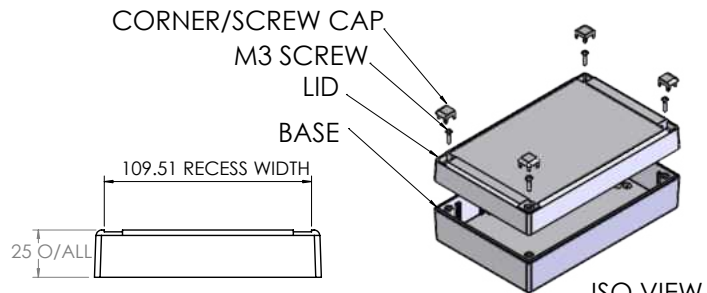
RND 455-00006



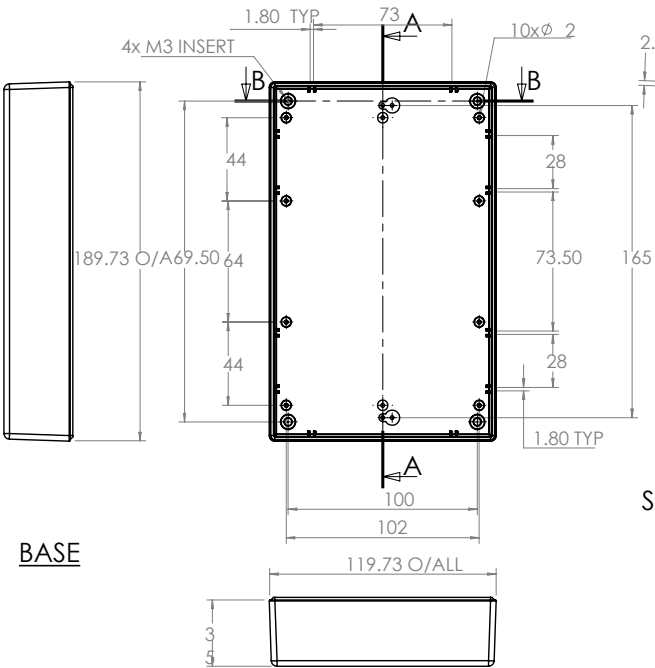
RND 455-00007



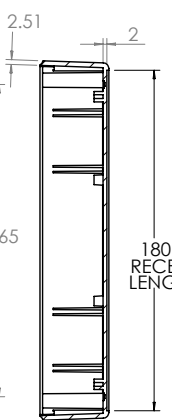
SECTION B-B



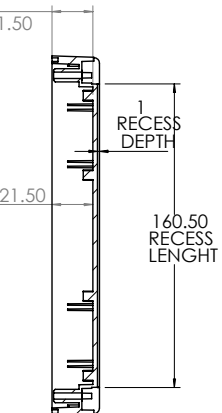
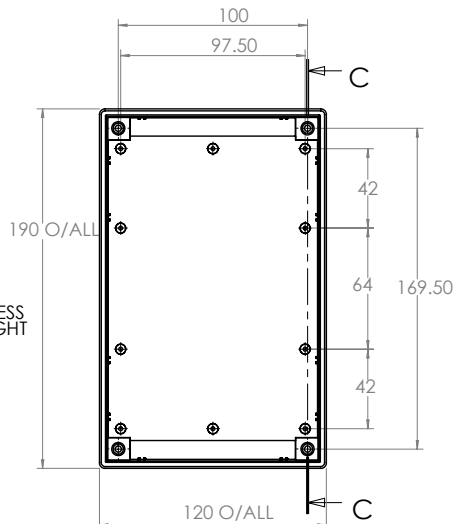
ISO VIEW
1:5



BASE



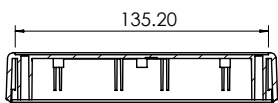
SECTION A-A



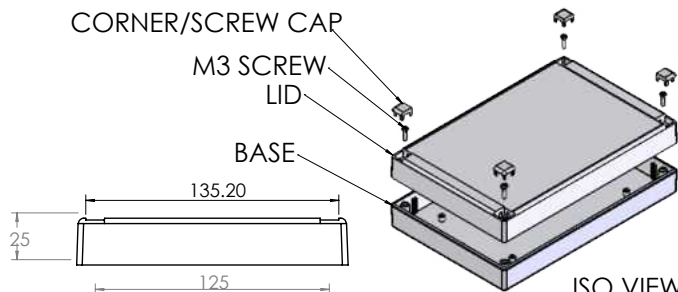
SECTION C-C

LID

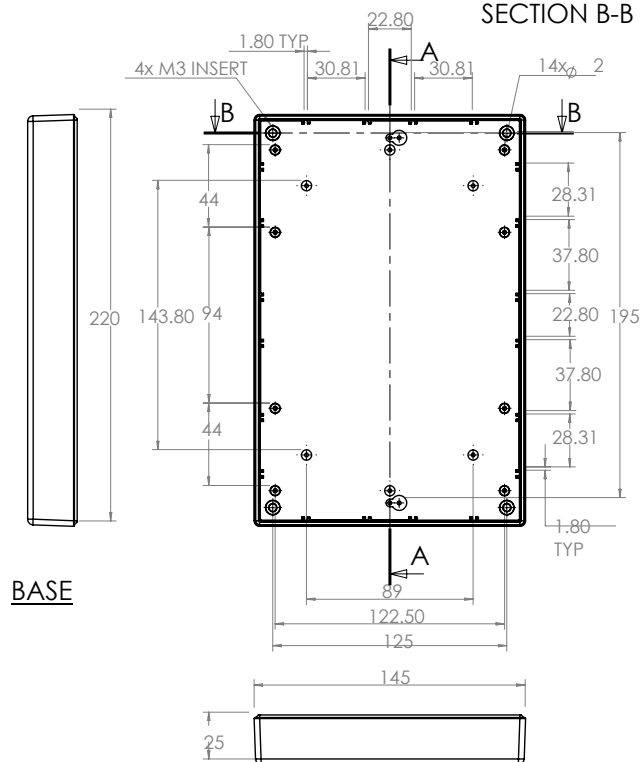
RND 455-00008



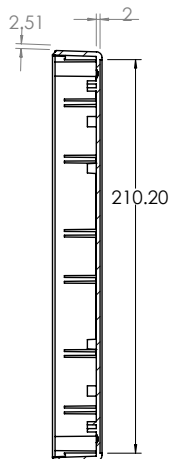
SECTION B-B



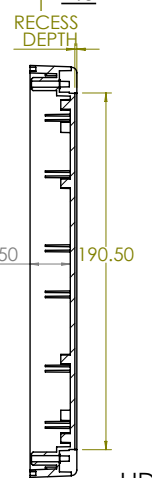
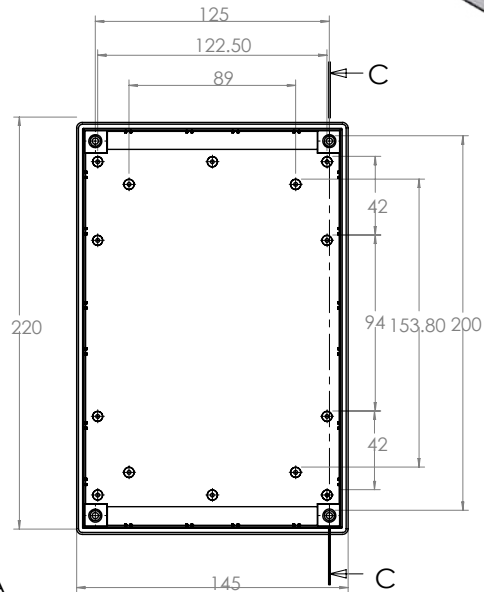
ISO VIEW
1:5



BASE

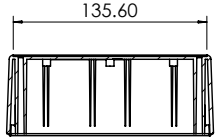


SECTION A-A

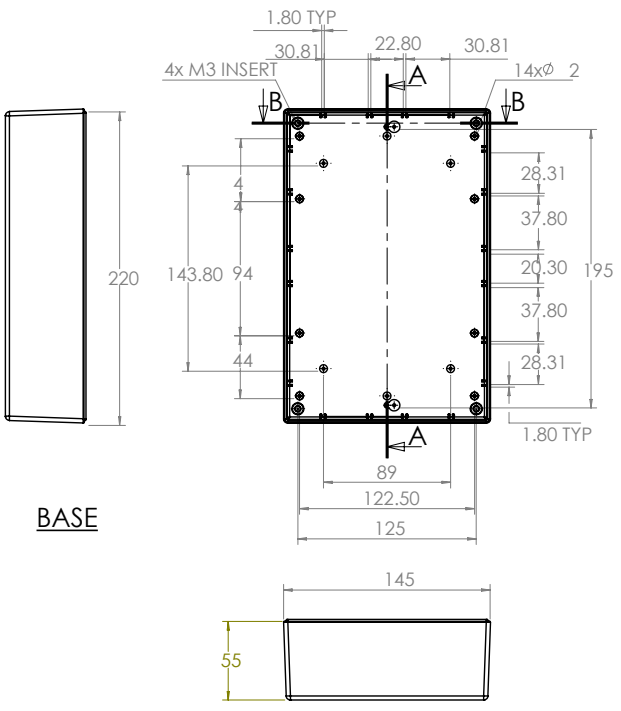
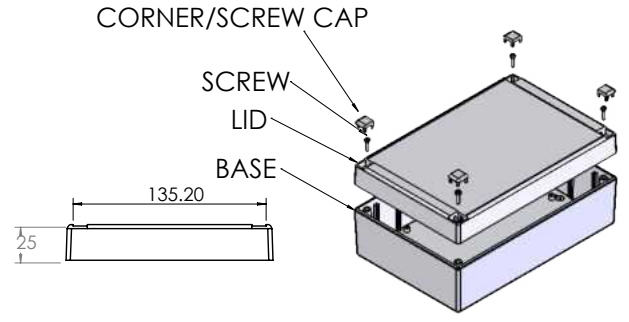


SECTION C-C

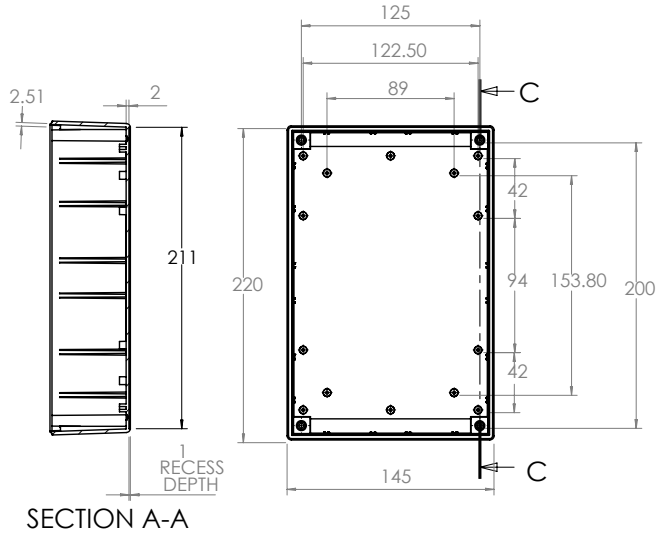
LID



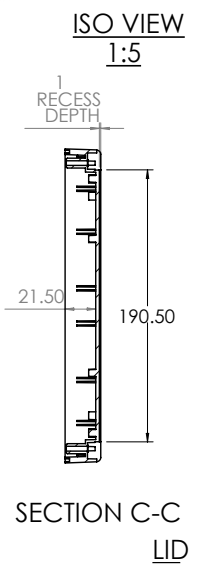
SECTION B-B



BASE

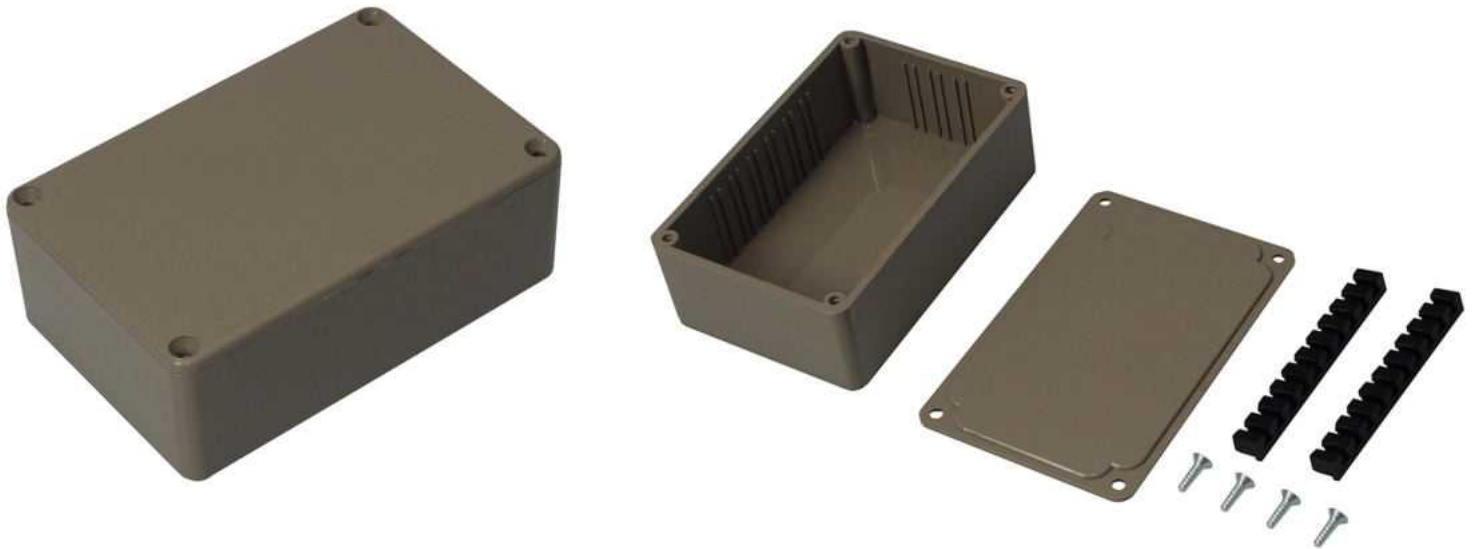


SECTION A-A



SECTION C-C
LID

Universal ABS OEM Electronics Equipment Enclosures

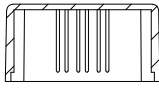


PRODUCT INFORMATION

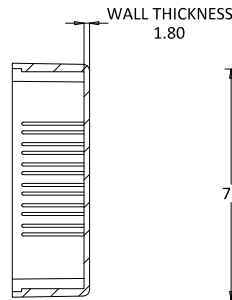
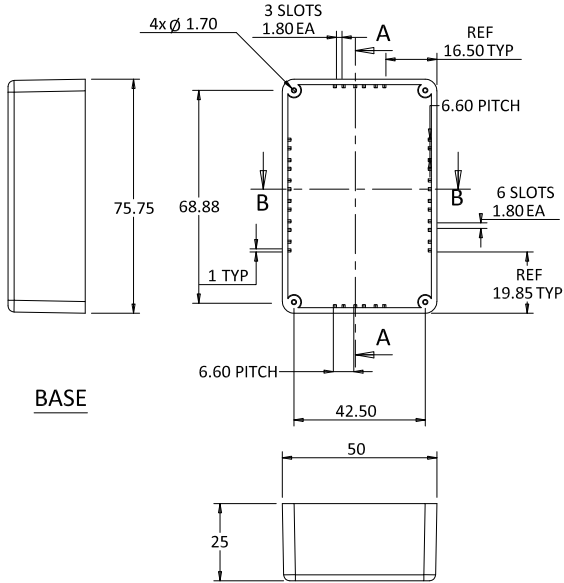
- Extensive range of electronic enclosures with ABS lid, designed for a broad range of applications
- Brass inserts in base for repetitive removal of the lid
- High gloss polished finish
- Excellent properties for machining
- Integral mounting guides to accept 1.6mm PCBs
- Designed to meet the requirements of IP54
- Electronics enclosure moulded from high impact ABS UL94-HB material

ITEM No.	COLOUR	EXTERNAL DIMENSION(mm)
RND 455-00044	Grey	75 x 50 x 27
RND 455-00045	Grey	85 x 56 x 39
RND 455-00046	Grey	100 x 25 x 50
RND 455-00047	Grey	112 x 62 x 31
RND 455-00048	Grey	112 x 62 x 31
RND 455-00049	Grey	190 x 110 x 60
RND 455-00050	Grey	55 x 55 x 42
RND 455-00051	Grey	250 x 200 x 65
RND 455-00052	Grey	120 x 65 x 40
RND 455-00053	Grey	150 x 80 x 50
RND 455-00059	Grey	144 x 82 x 30

RND 455-00044



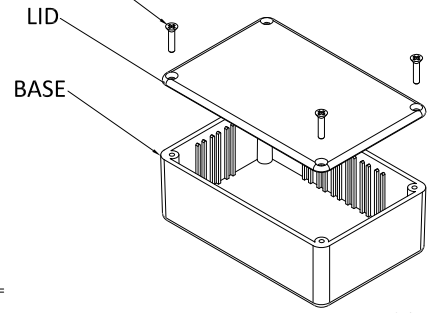
SECTION B-B



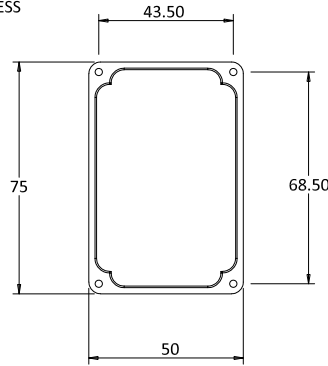
SECTION A-A



CSK SELF TAPPING SCREW

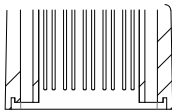


ISO VIEW

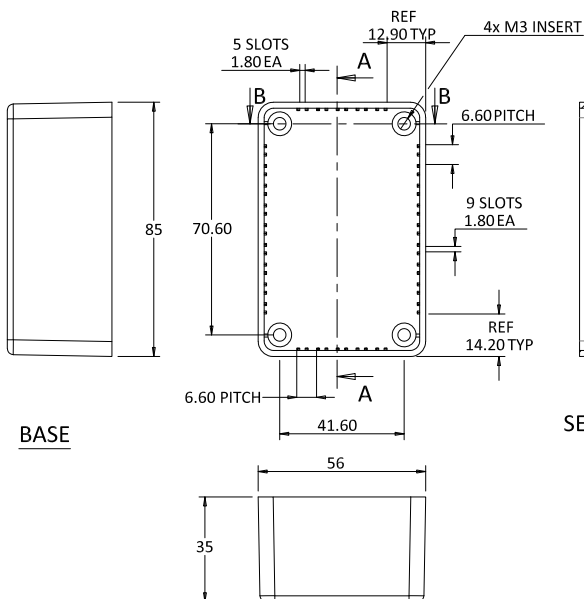


LID

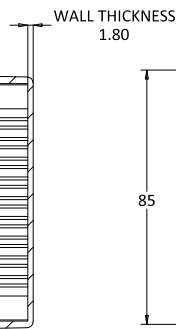
RND 455-00045



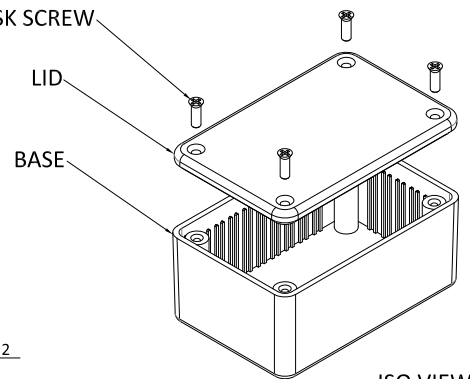
SECTION B-B



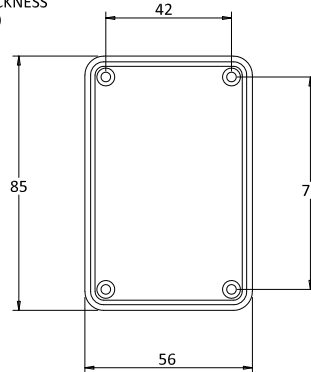
SECTION A-A



M3 CSK SCREW

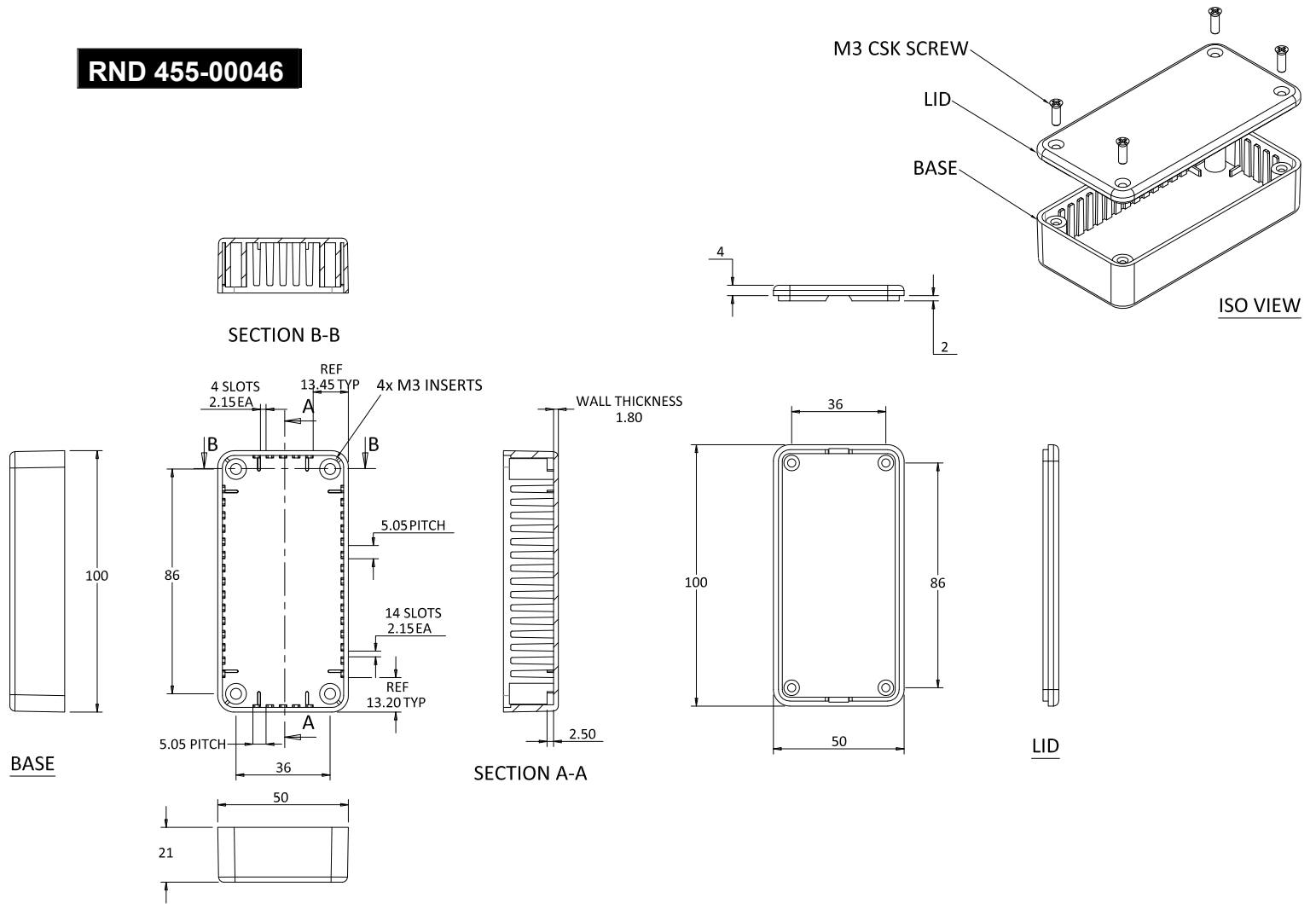


ISO VIEW

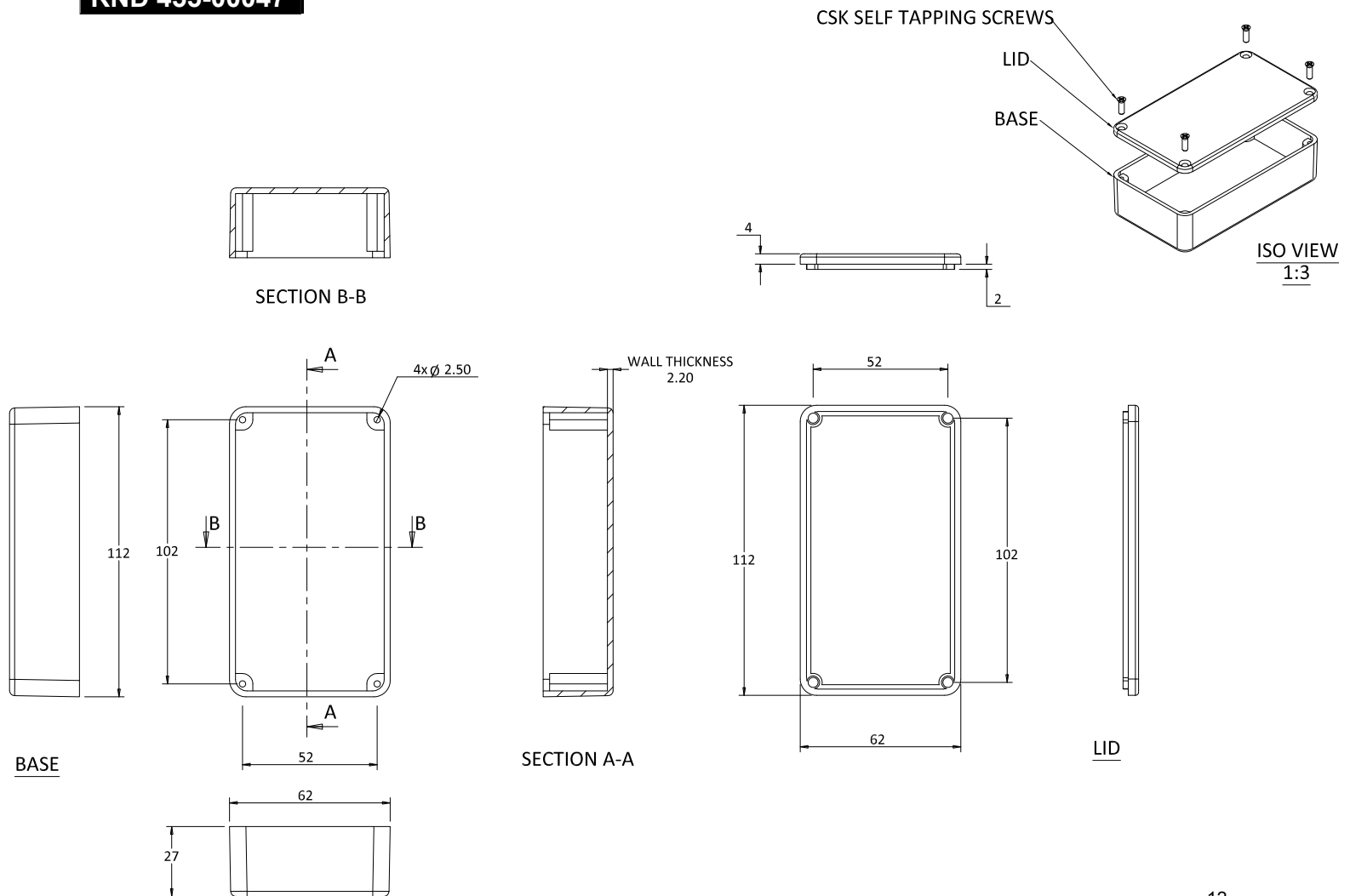


LID

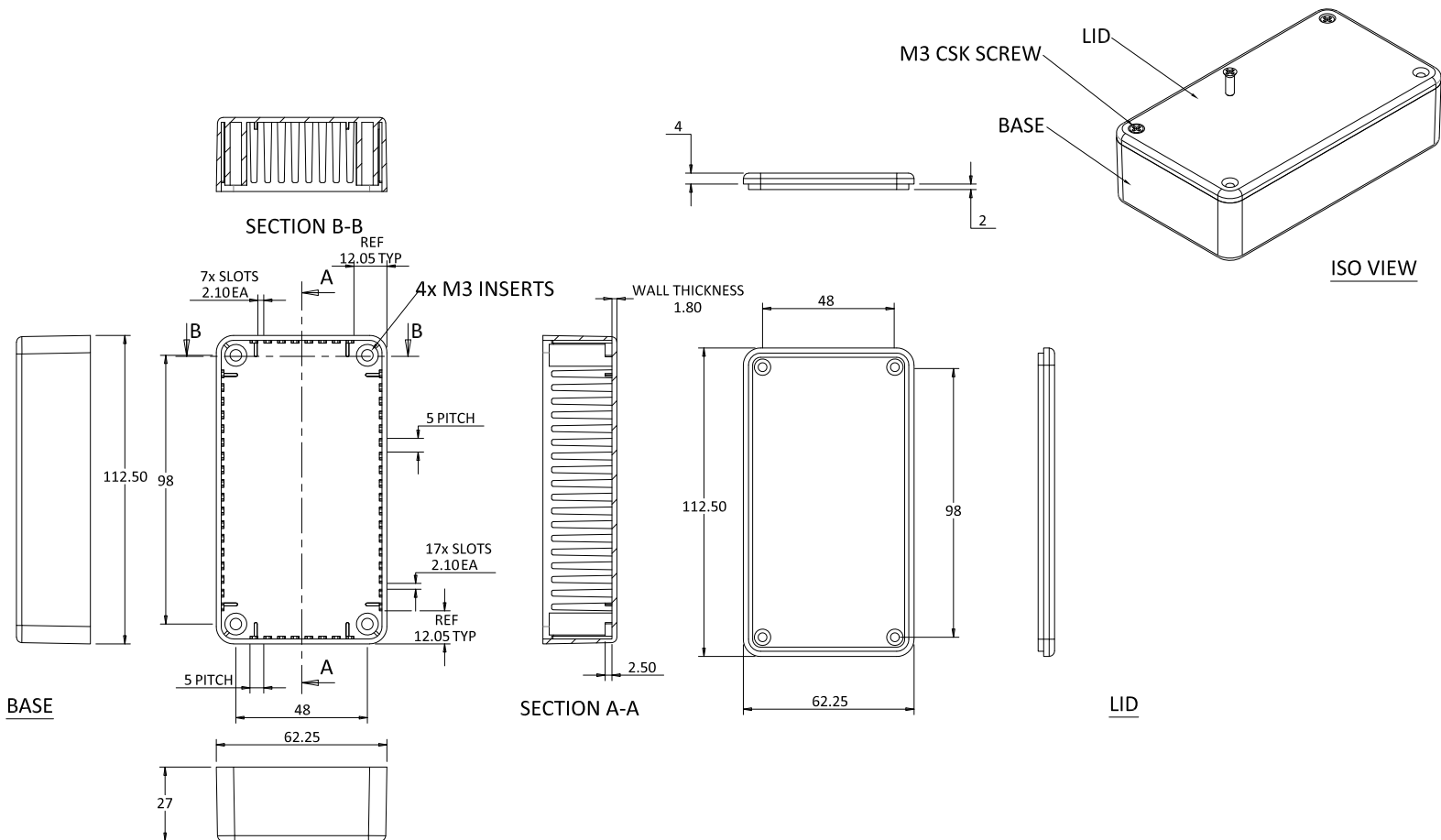
RND 455-00046



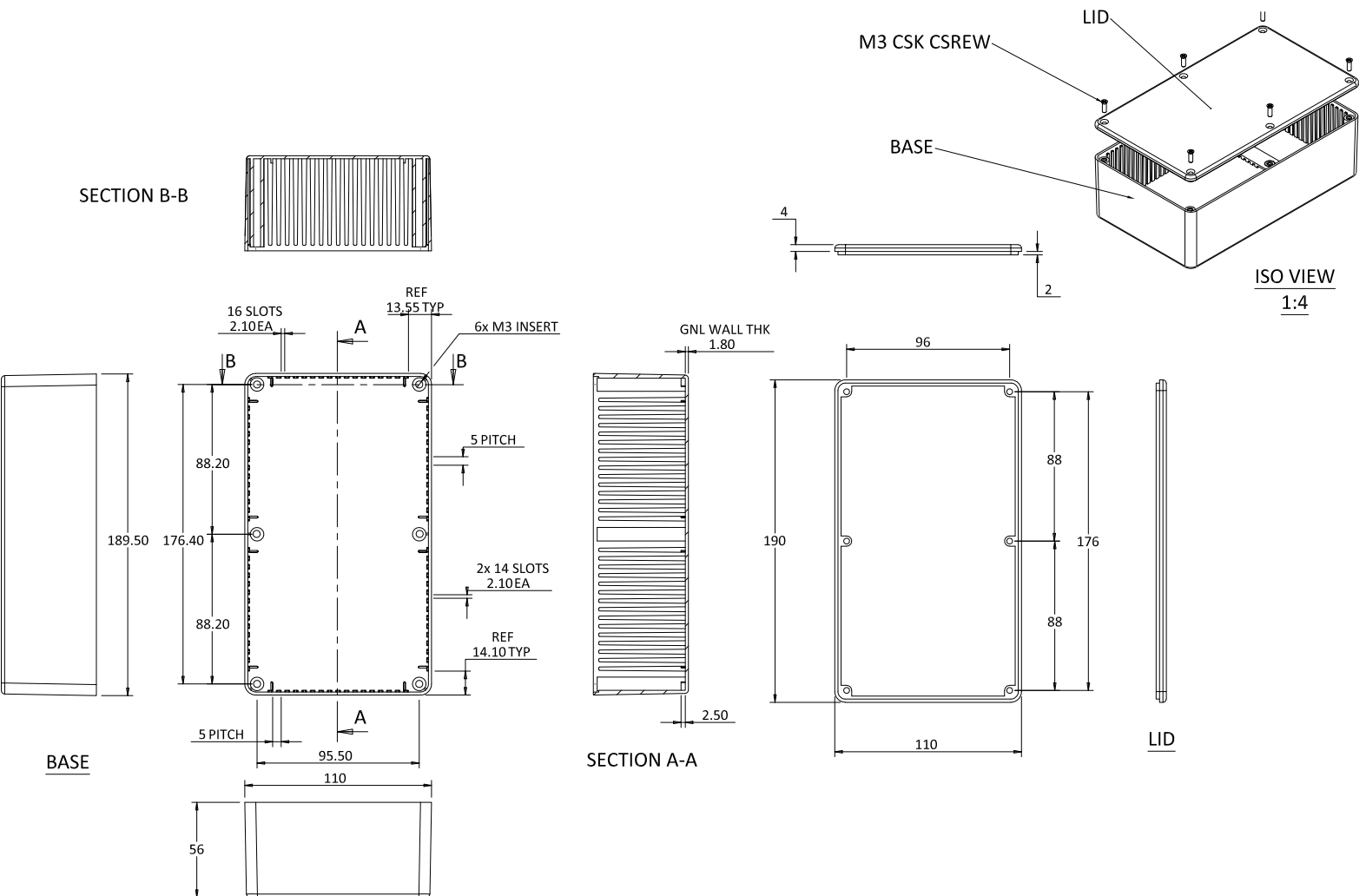
RND 455-00047



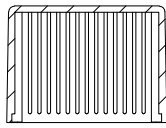
RND 455-00048



RND 455-00049

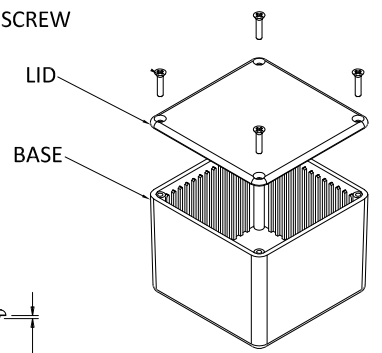


RND 455-00050

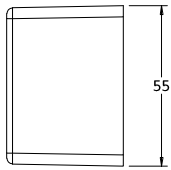
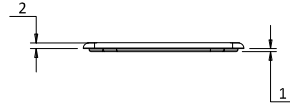


SECTION B-B

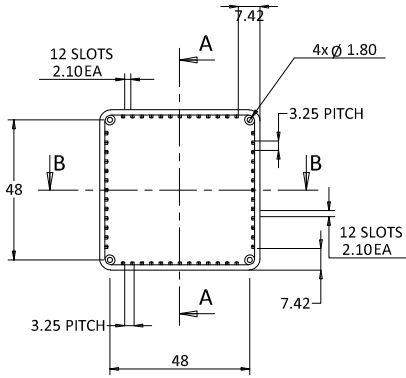
CSK SELF TAPPING SCREW



ISO VIEW

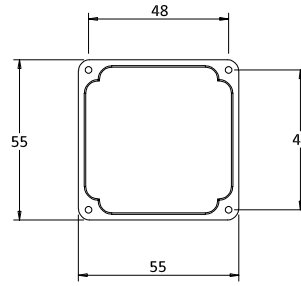
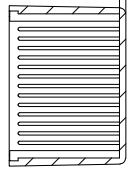


BASE

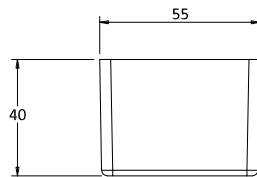


WALL THICKNESS 2.20

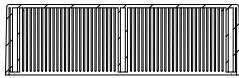
SECTION A-A



LID



RND 455-00051

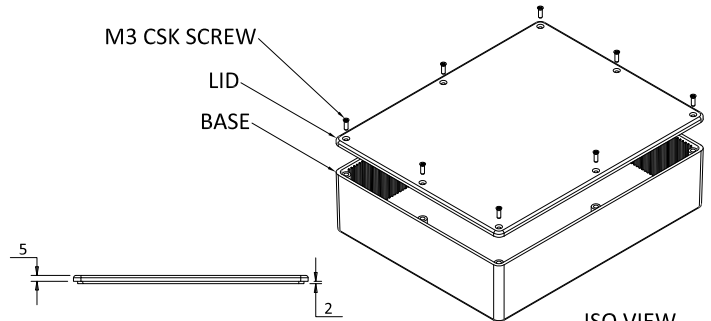


SECTION B-B

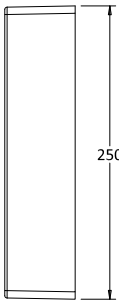
M3 CSK SCREW

LID

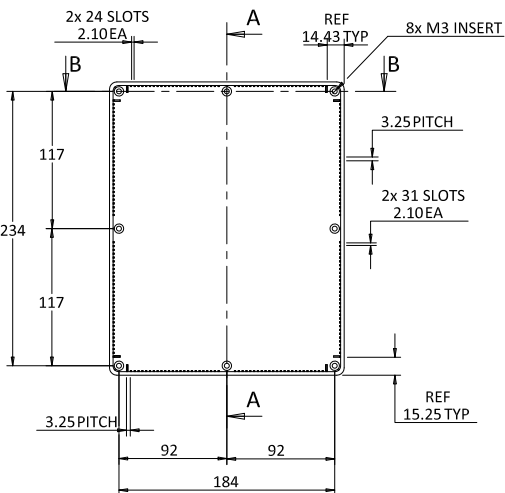
BASE



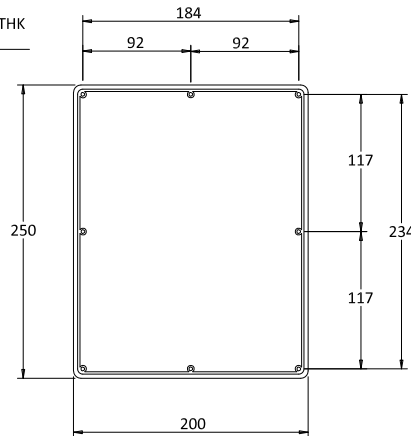
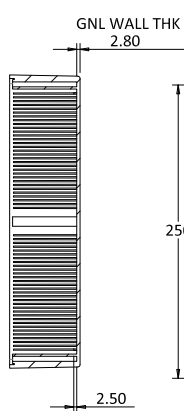
ISO VIEW



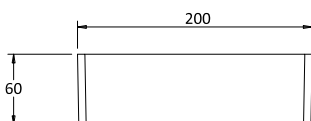
BASE



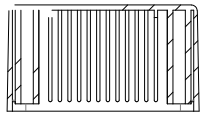
SECTION A-A



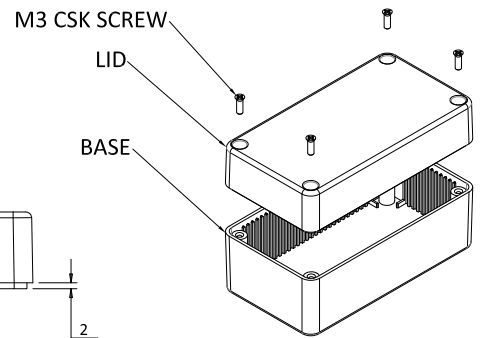
LID



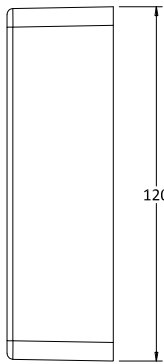
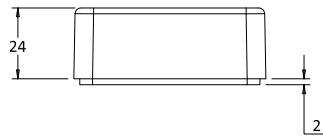
RND 455-00052



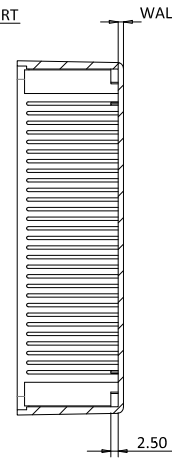
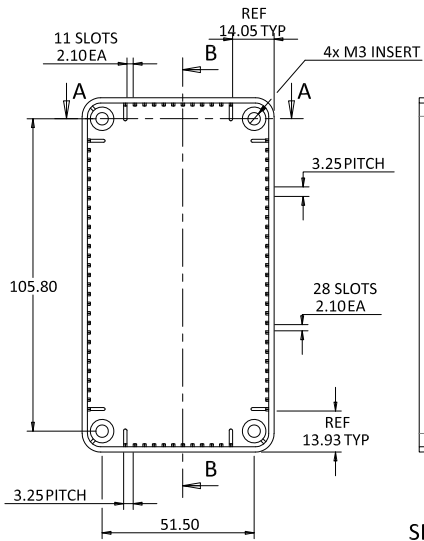
SECTION A-A



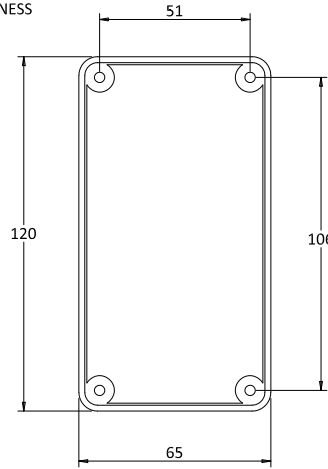
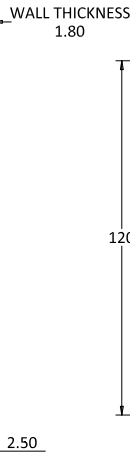
ISO VIEW
1:3



BASE

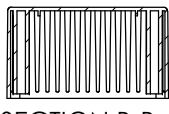


SECTION B-B

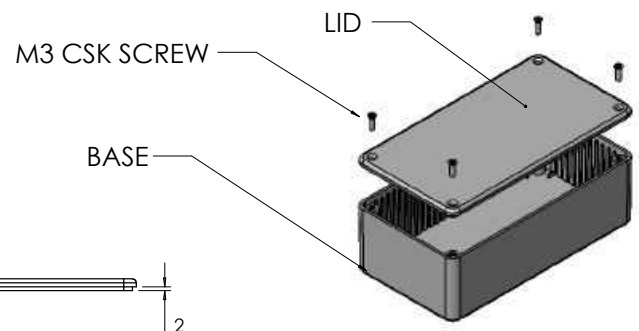


LID

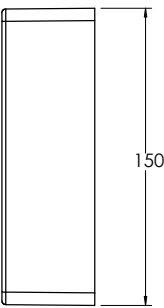
RND 455-00053



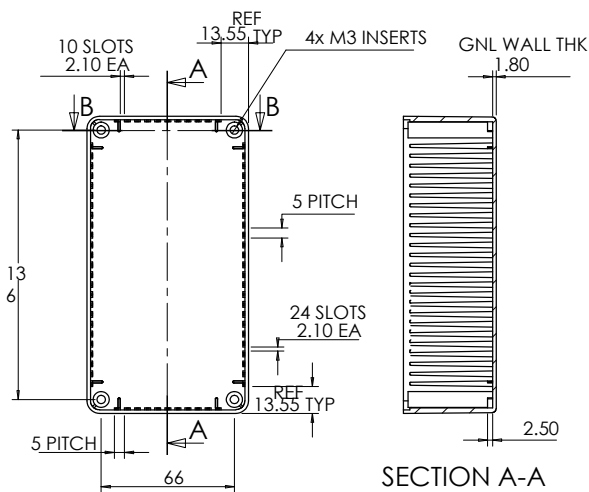
SECTION B-B



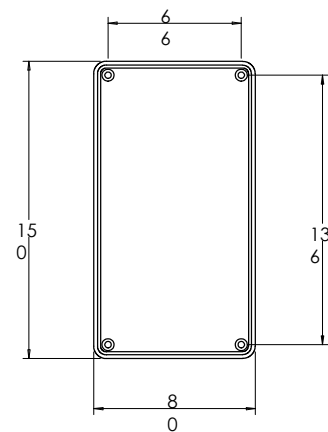
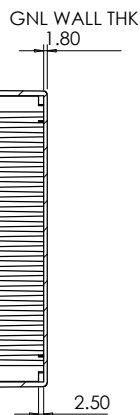
ISO VIEW
1:3



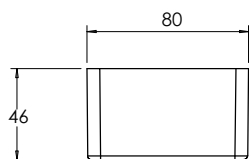
BASE

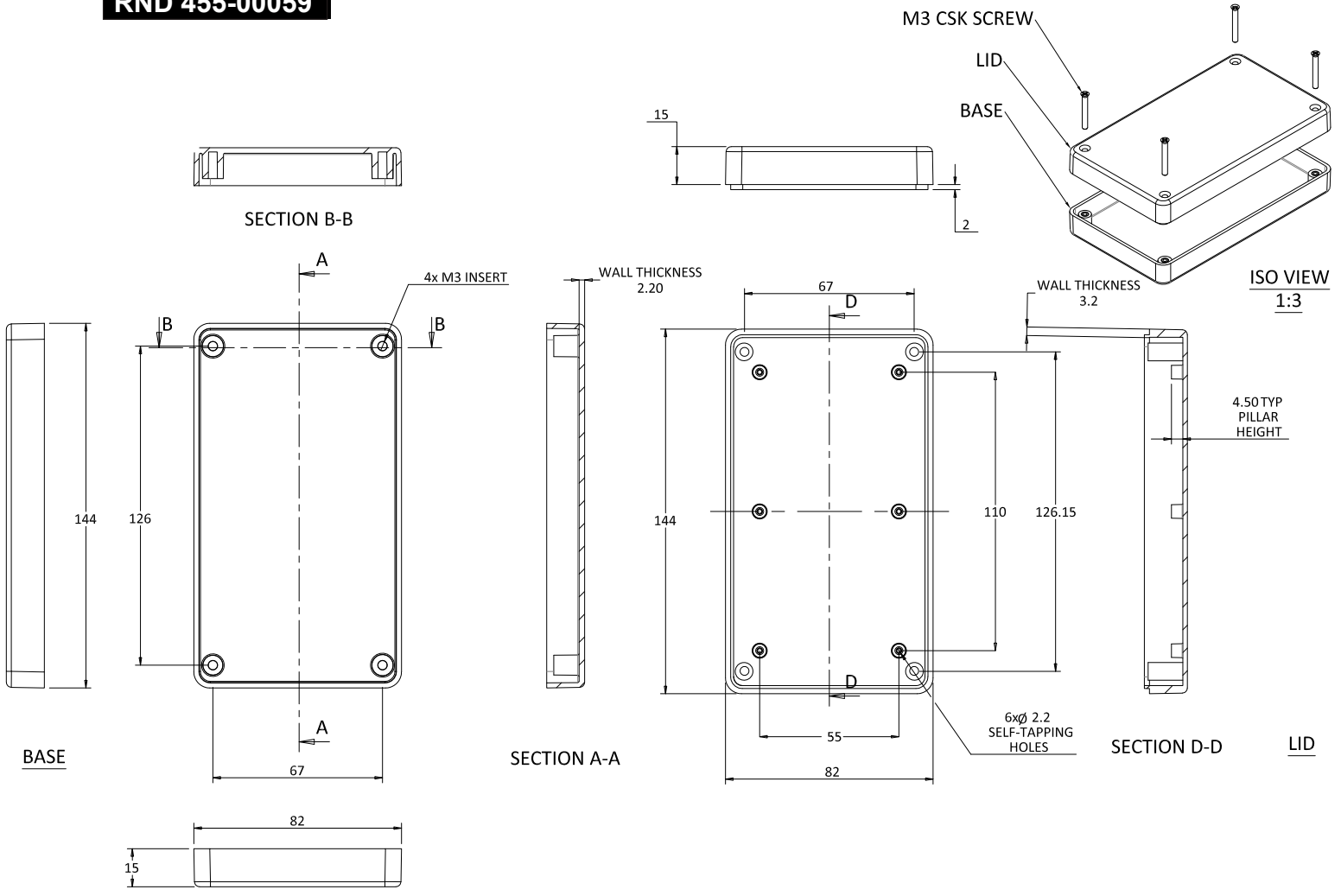


SECTION A-A

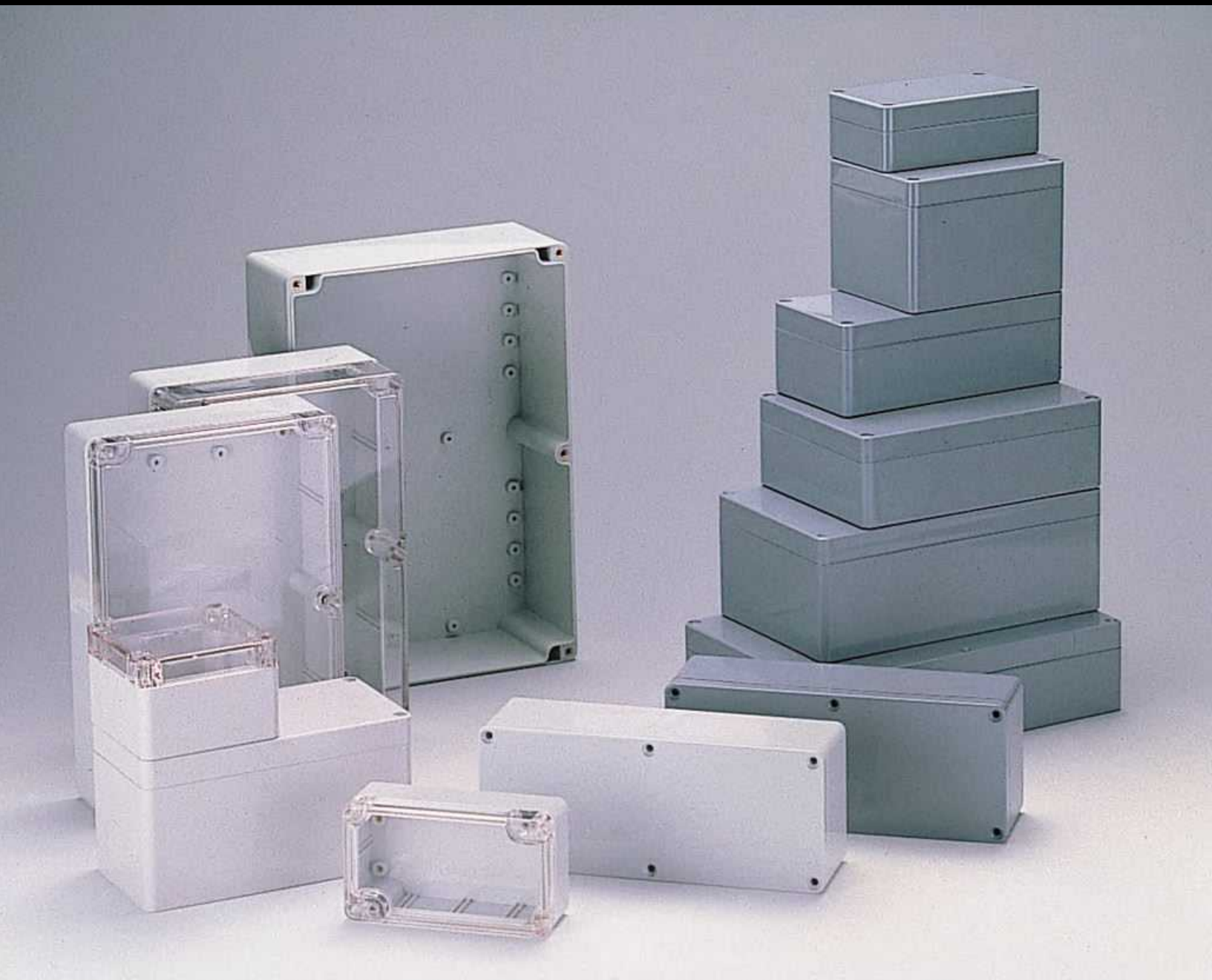


LID





IP67 Polycarbonate and ABS Enclosures



PRODUCT INFORMATION

- The lid and base incorporate a tongue and groove sealing system with a EPDM gasket.
- Wall mounting holes and lid fixing screws are outside the sealing area thus preventing the ingress of moisture and dust.
- IP67 protection
- Available with clear, light grey and dark grey lids.
- Internal guide slots for mounting PCB assemblies vertically.
- Bosses on internal base allow fixing of PCB's horizontally or connection of terminals with M3X4mm self-tapping screws.

PC

- Material: Polycarbonate (UL94-HB)
- Moulded in: Light Grey.
- Operating temperature: -40°C to 120 °C
- Clear lid is available on request.

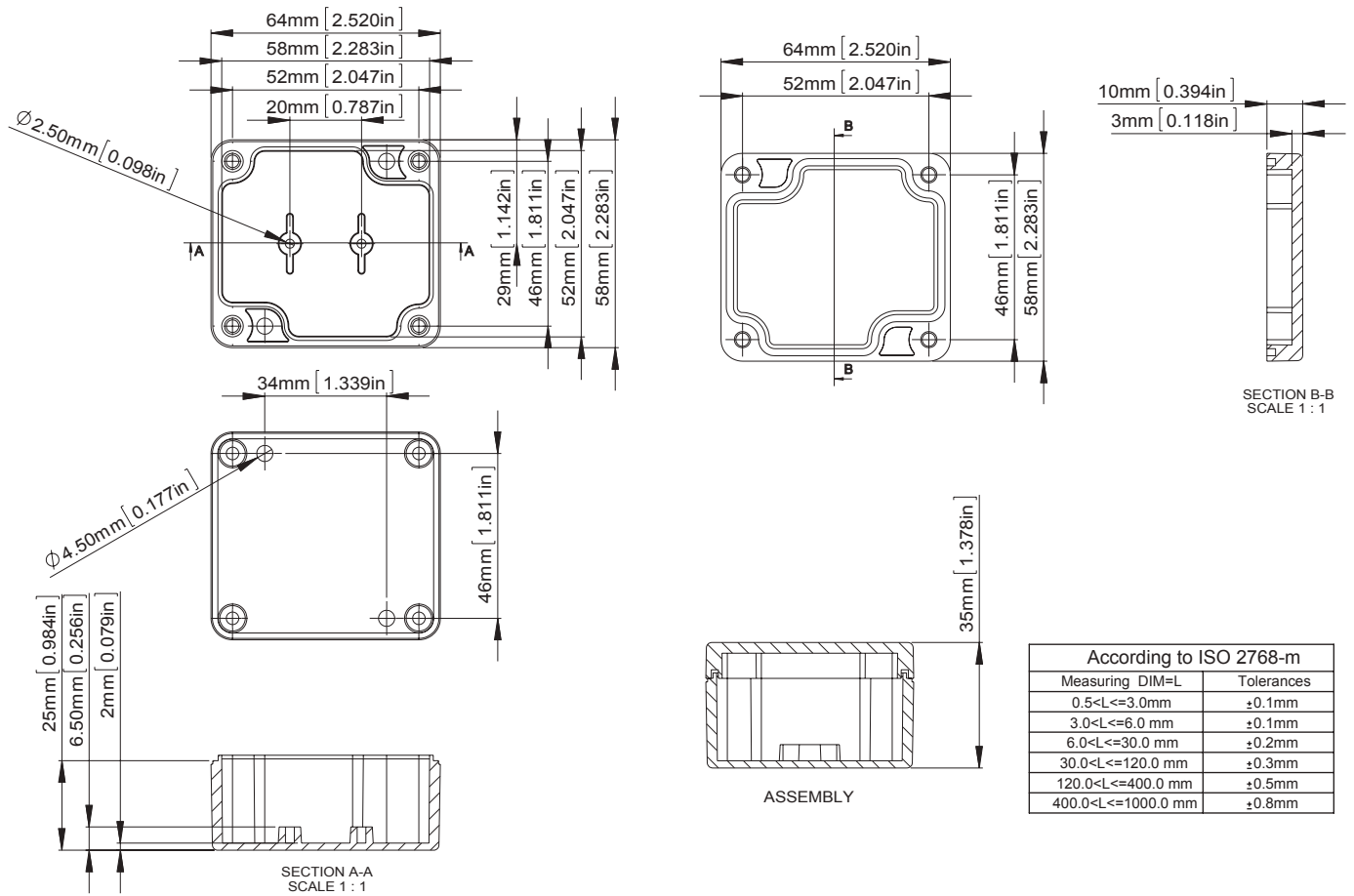
ABS

- Material: High Impact ABS (UL94-HB)
- Moulded in: Dark Grey.
- Operating temperature: -20°C to 80°C

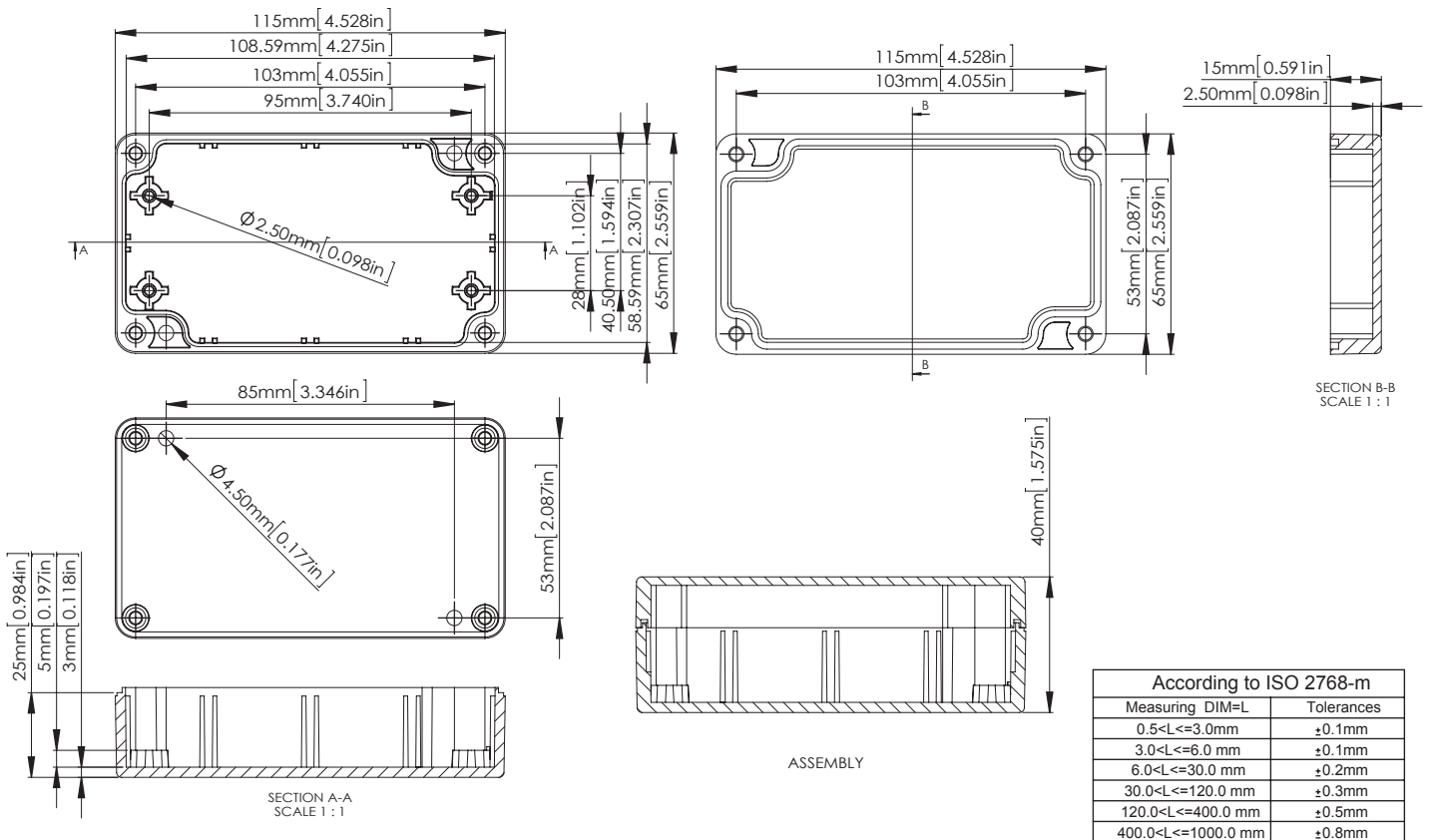
MATERIAL: POLYCARBONATE					
ITEM No.	COLOUR		ITEM No.	COLOUR	
	LID	BASE		LID	BASE
RND 455-00997	Light Grey		RND 455-00998	Clear	Light Grey
RND 455-01000	Light Grey		RND 455-01001	Clear	Light Grey
RND 455-01003	Light Grey		RND 455-01004	Clear	Light Grey
RND 455-01006	Light Grey		RND 455-01007	Clear	Light Grey
RND 455-01009	Light Grey		RND 455-01010	Clear	Light Grey
RND 455-01012	Light Grey		RND 455-01013	Clear	Light Grey
RND 455-01015	Light Grey		RND 455-01016	Clear	Light Grey
RND 455-01018	Light Grey		RND 455-01019	Clear	Light Grey
RND 455-01021	Light Grey		RND 455-01022	Clear	Light Grey
RND 455-01024	Light Grey		RND 455-01025	Clear	Light Grey
RND 455-01027	Light Grey		RND 455-01028	Clear	Light Grey
RND 455-01030	Light Grey		RND 455-01031	Clear	Light Grey
RND 455-01033	Light Grey		RND 455-01034	Clear	Light Grey
RND 455-01036	Light Grey		RND 455-01037	Clear	Light Grey
RND 455-01039	Light Grey		RND 455-01040	Clear	Light Grey
RND 455-01042	Light Grey		RND 455-01043	Clear	Light Grey
RND 455-01045	Light Grey		RND 455-01046	Clear	Light Grey
RND 455-01048	Light Grey		RND 455-01049	Clear	Light Grey

MATERIAL: ABS			
ITEM No.	COLOUR		EXTERNAL DIMENSION(mm)
	LID	BASE	
RND 455-00999	Dark Grey		58 x 64 x 35
RND 455-01002	Dark Grey		115 x 65 x 40
RND 455-01005	Dark Grey		115 x 65 x 55
RND 455-01008	Dark Grey		115 x 90 x 55
RND 455-01011	Dark Grey		171 x 121 x 55
RND 455-01014	Dark Grey		222 x 146 x 55
RND 455-01017	Dark Grey		90 x 115 x 80
RND 455-01020	Dark Grey		121 x 171 x 80
RND 455-01023	Dark Grey		80 x 195 x 55
RND 455-01026	Dark Grey		146 x 222 x 75
RND 455-01029	Dark Grey		50 x 52 x 35
RND 455-01032	Dark Grey		82 x 80 x 55
RND 455-01035	Dark Grey		80 x 160 x 55
RND 455-01038	Dark Grey		80 x 160 x 85
RND 455-01041	Dark Grey		120 x 120 x 60
RND 455-01044	Dark Grey		120 x 120 x 90
RND 455-01047	Dark Grey		160 x 160 x 60
RND 455-01050	Dark Grey		160 x 160 x 90

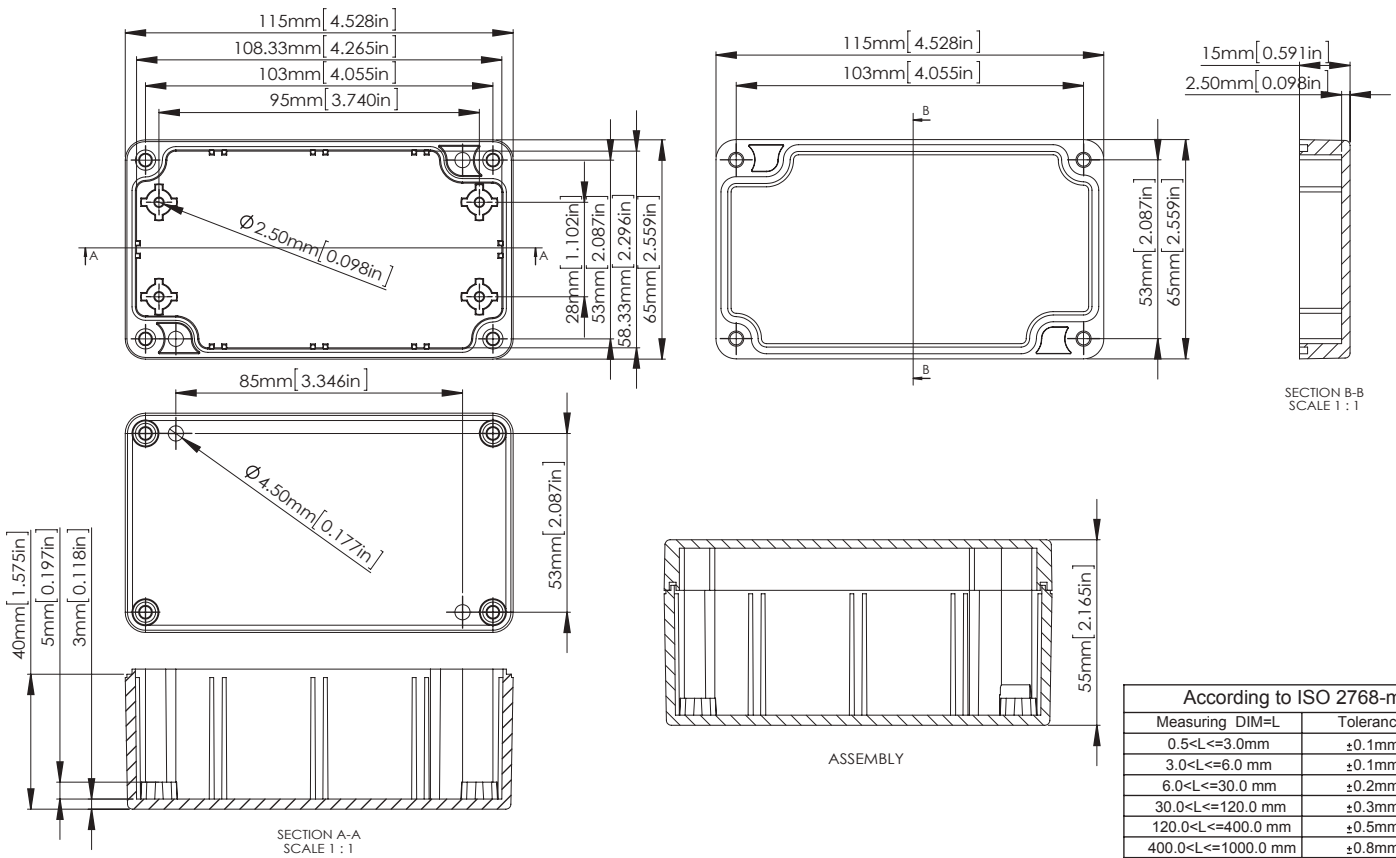
RND 455-00997 / RND 455-00998 / RND 455-00999



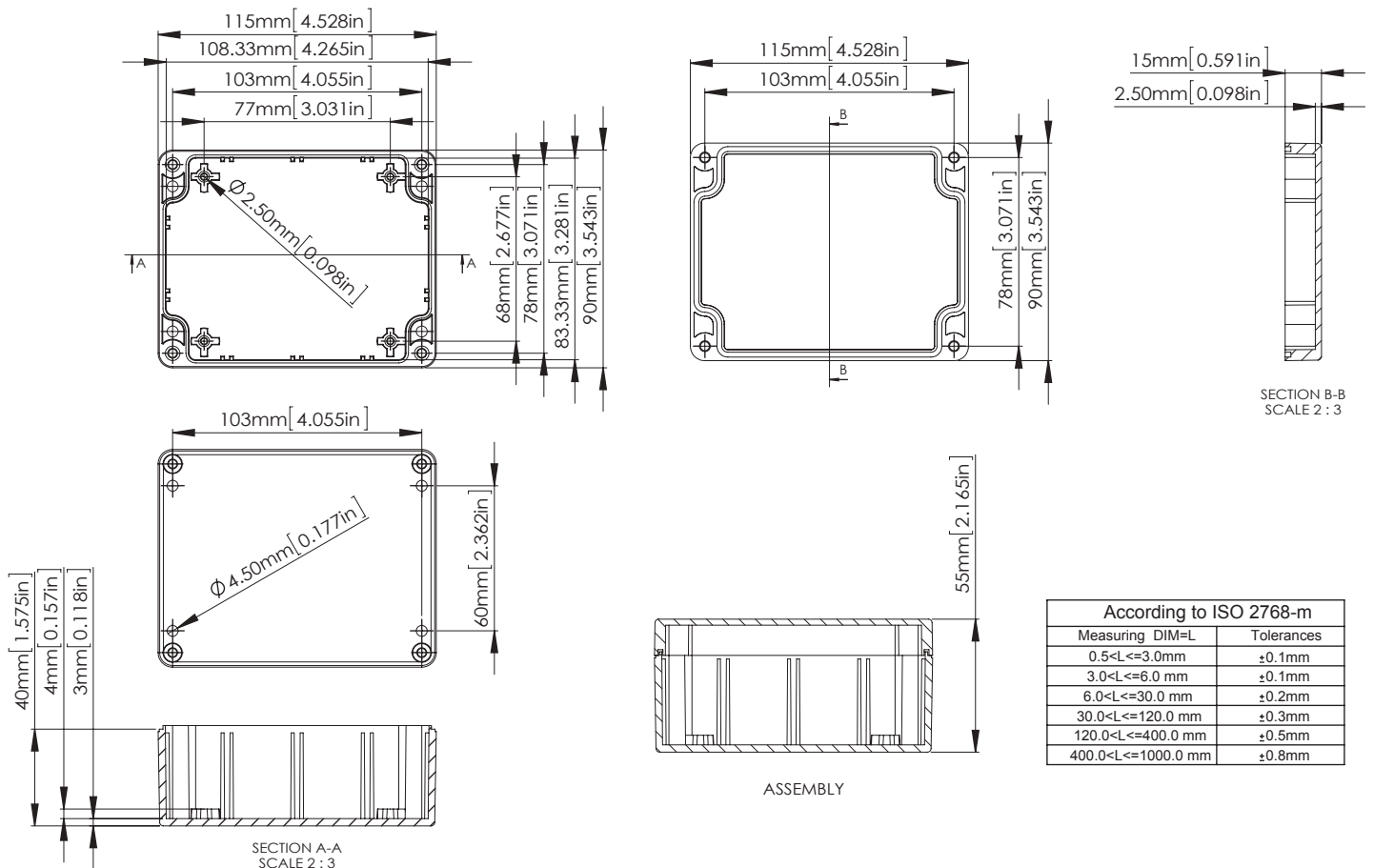
RND 455-01000 / RND 455-01001 / RND 455-01002



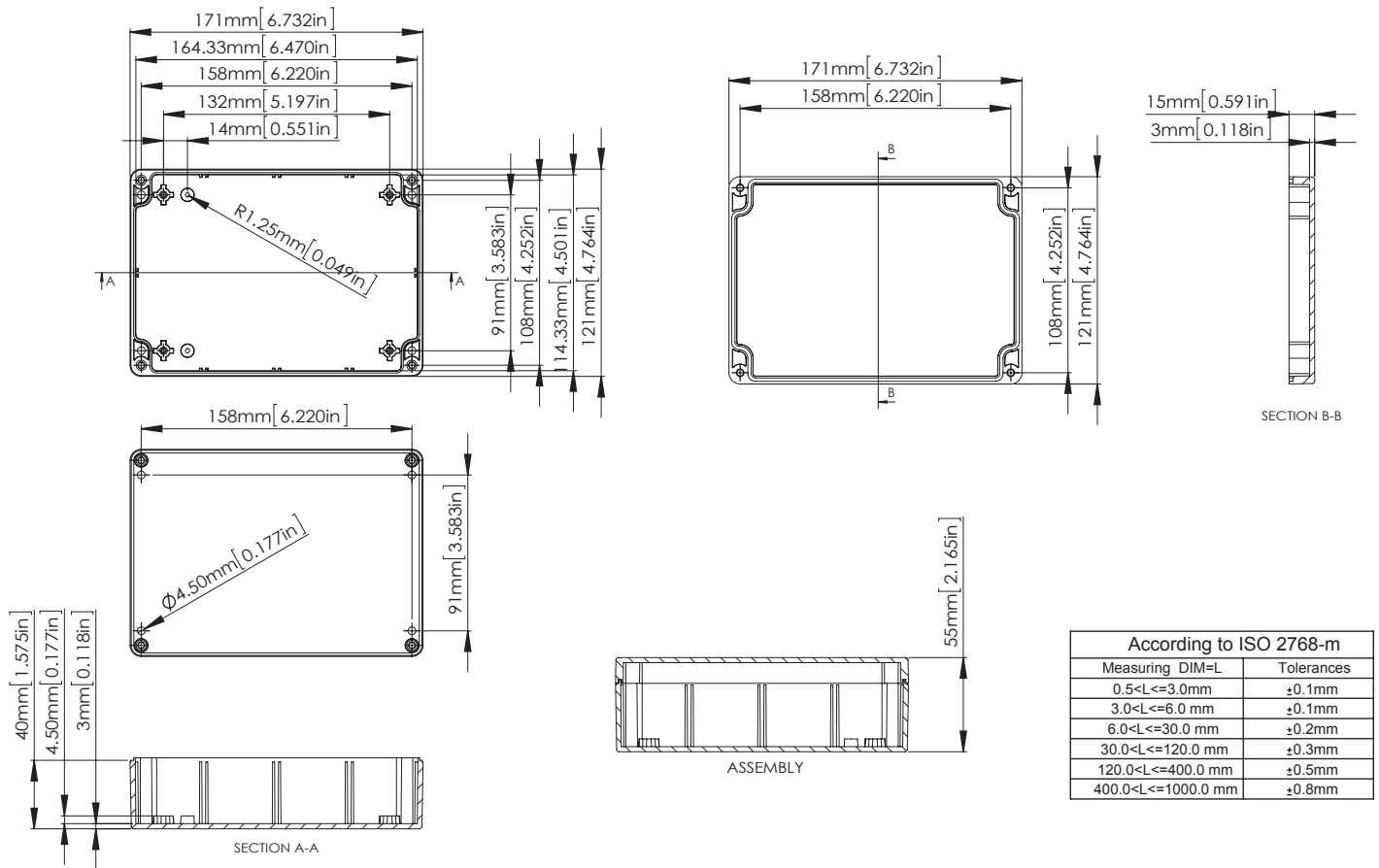
RND 455-01003 / RND 455-01004 / RND 455-01005



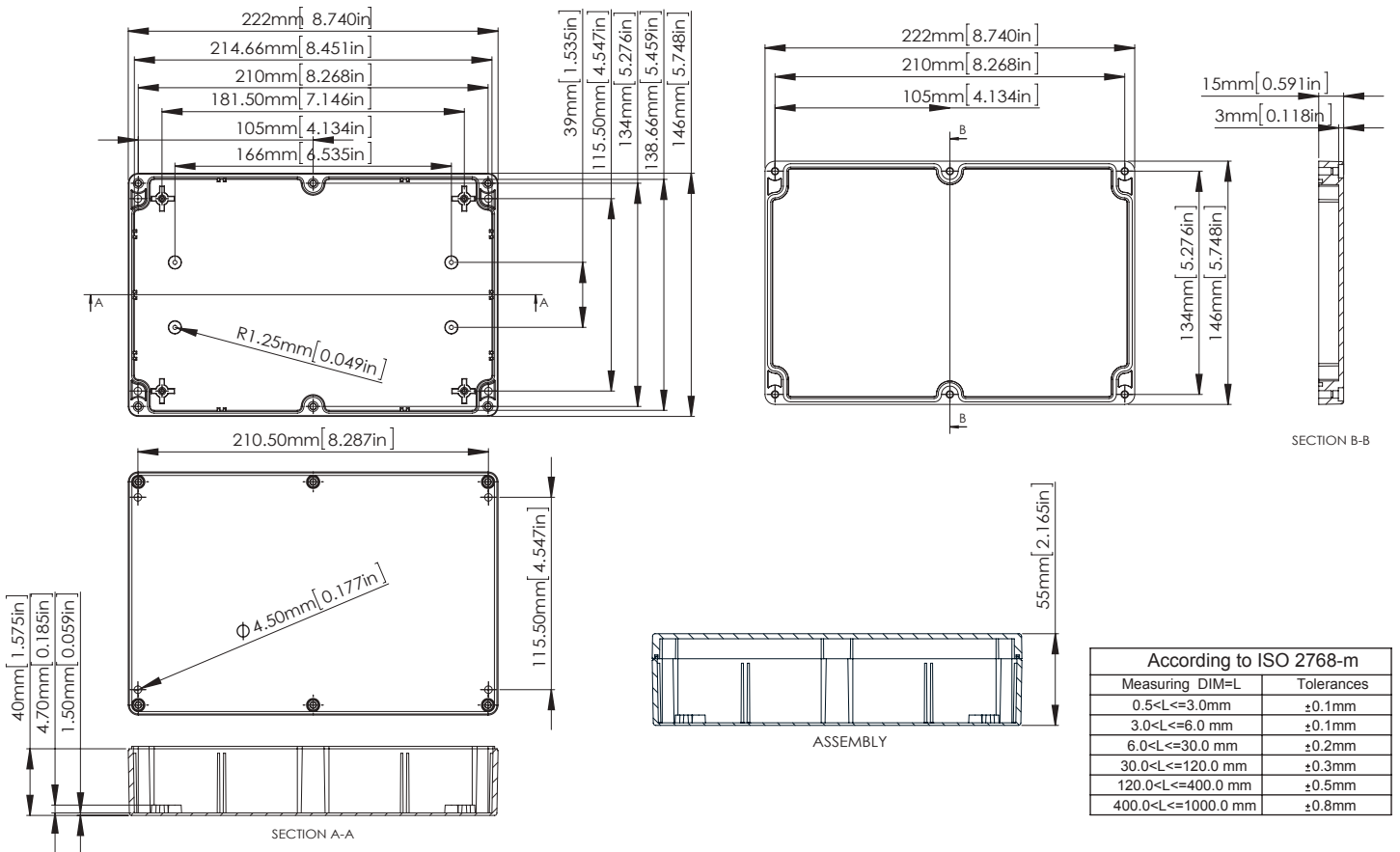
RND 455-01006 / RND 455-01007 / RND 455-01008



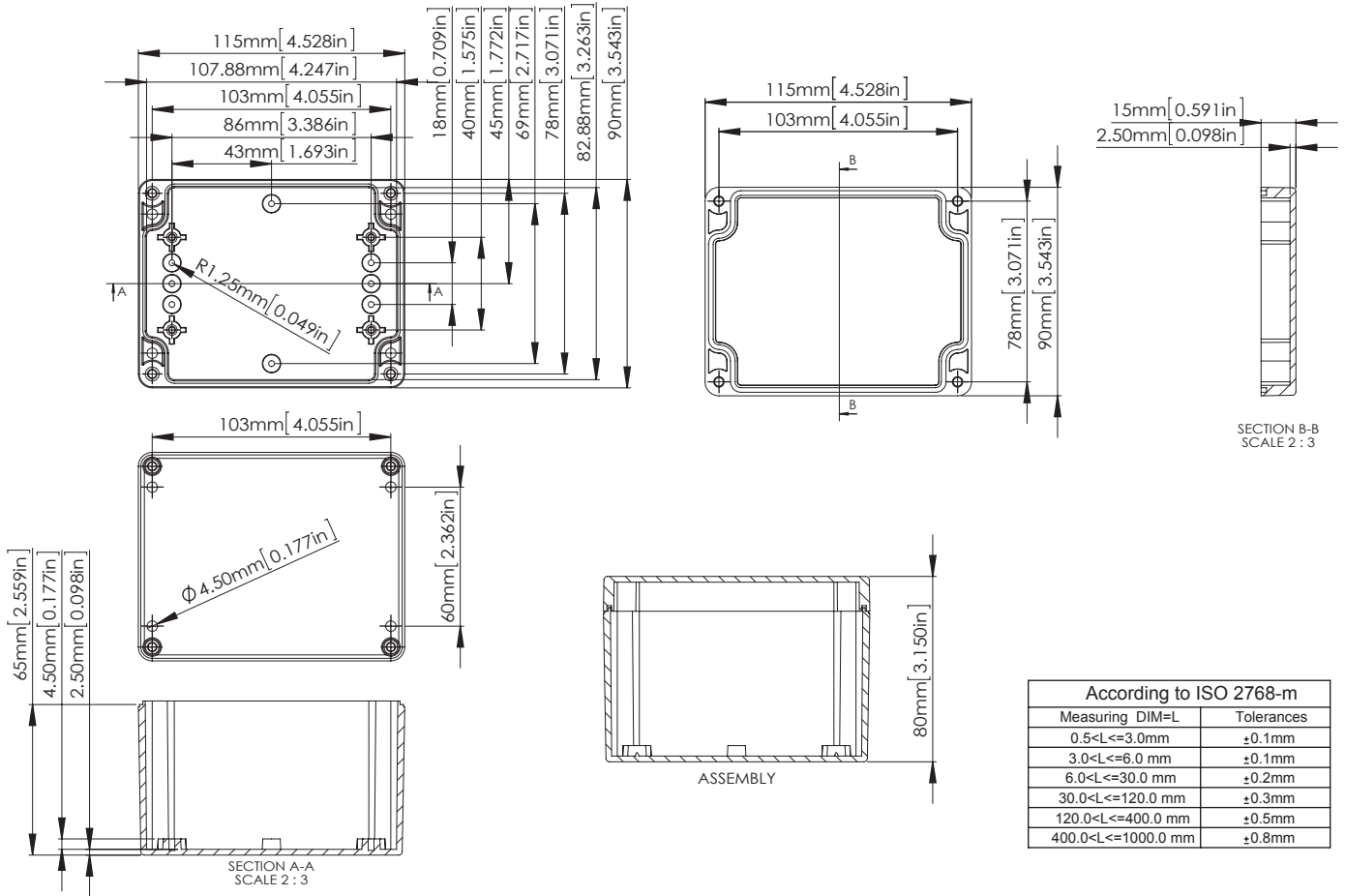
RND 455-01009 / RND 455-01010 / RND 455-01011



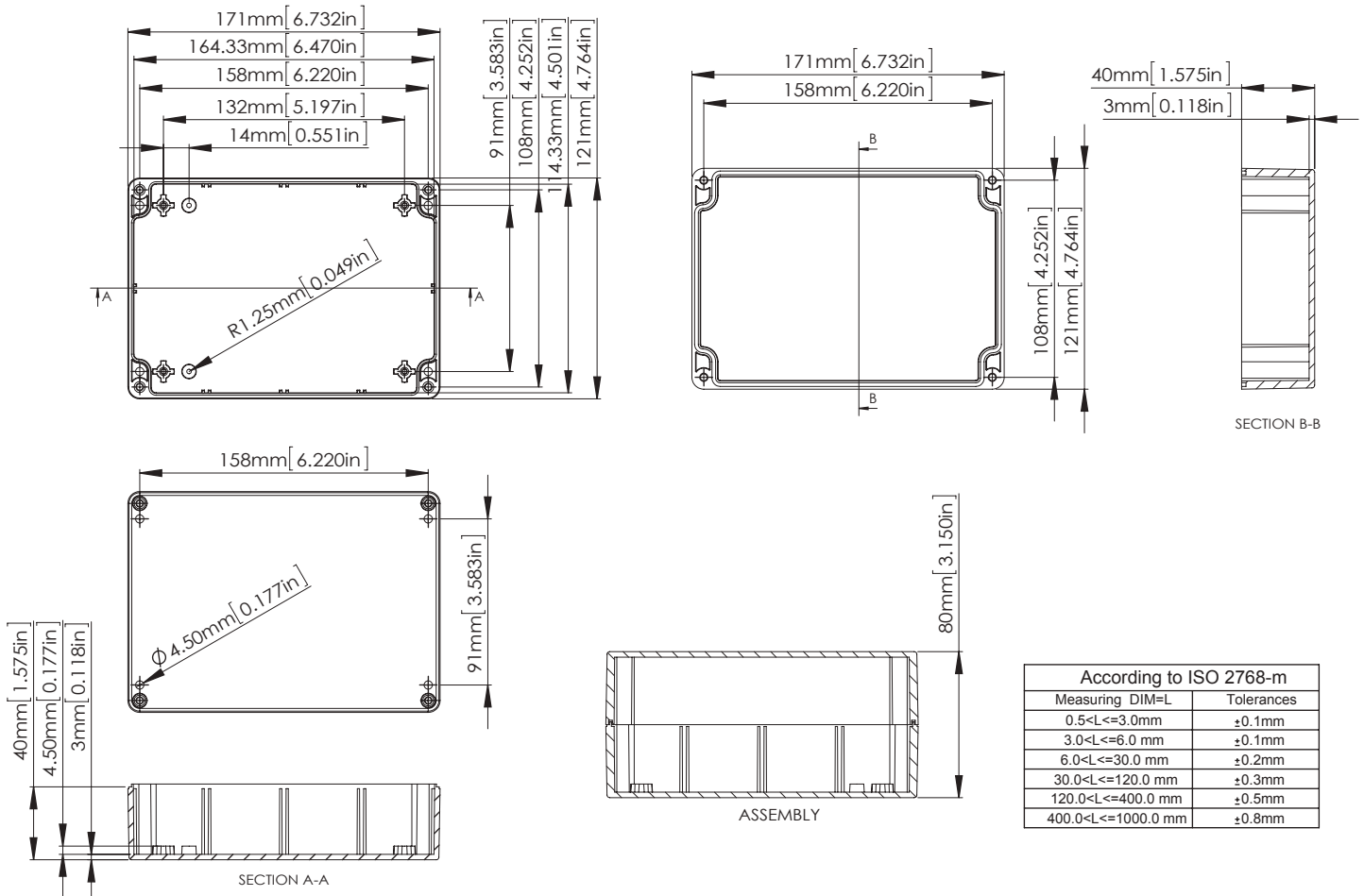
RND 455-01012 / RND 455-01013 / RND 455-01014



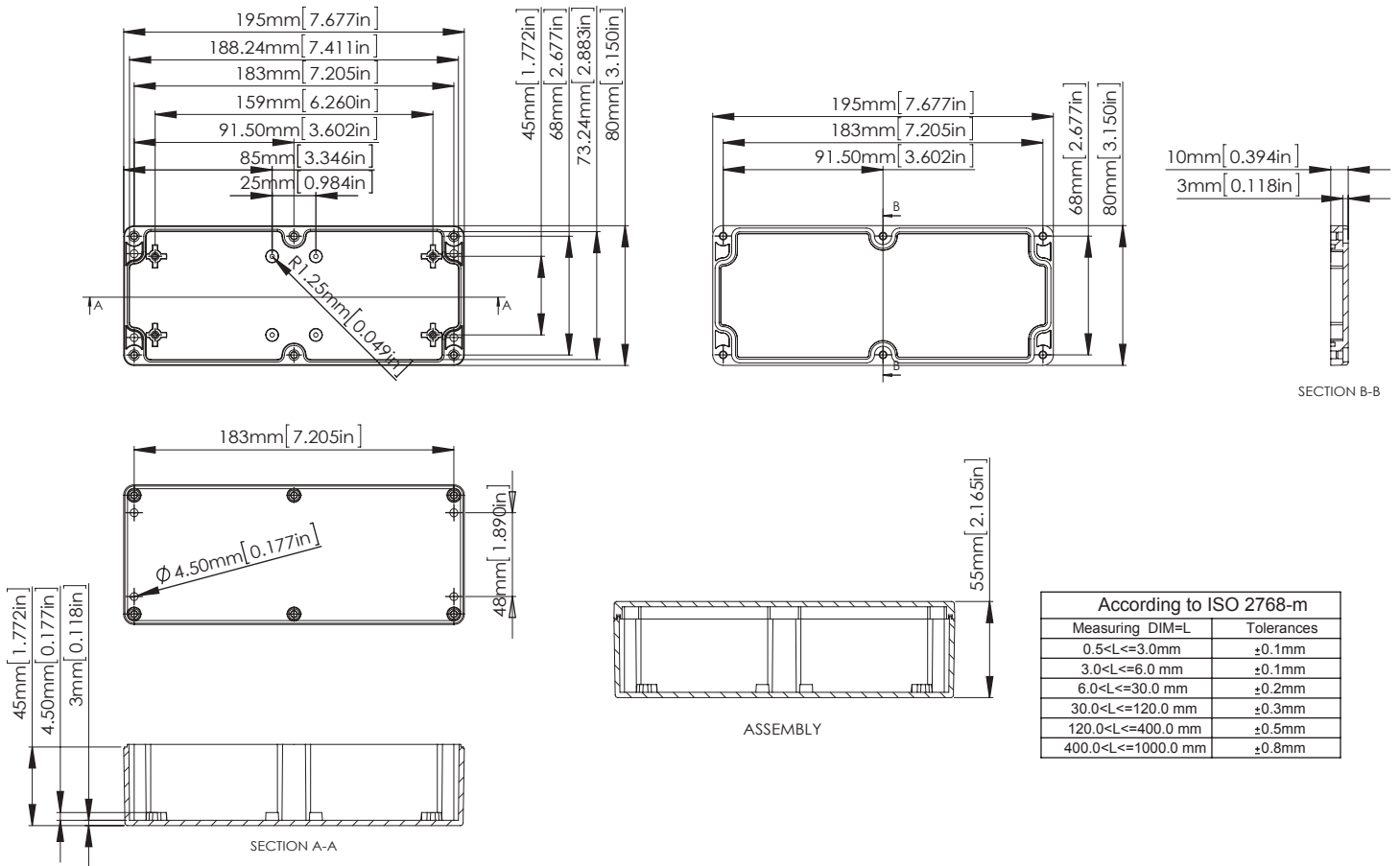
RND 455-01015 / RND 455-01016 / RND 455-01017



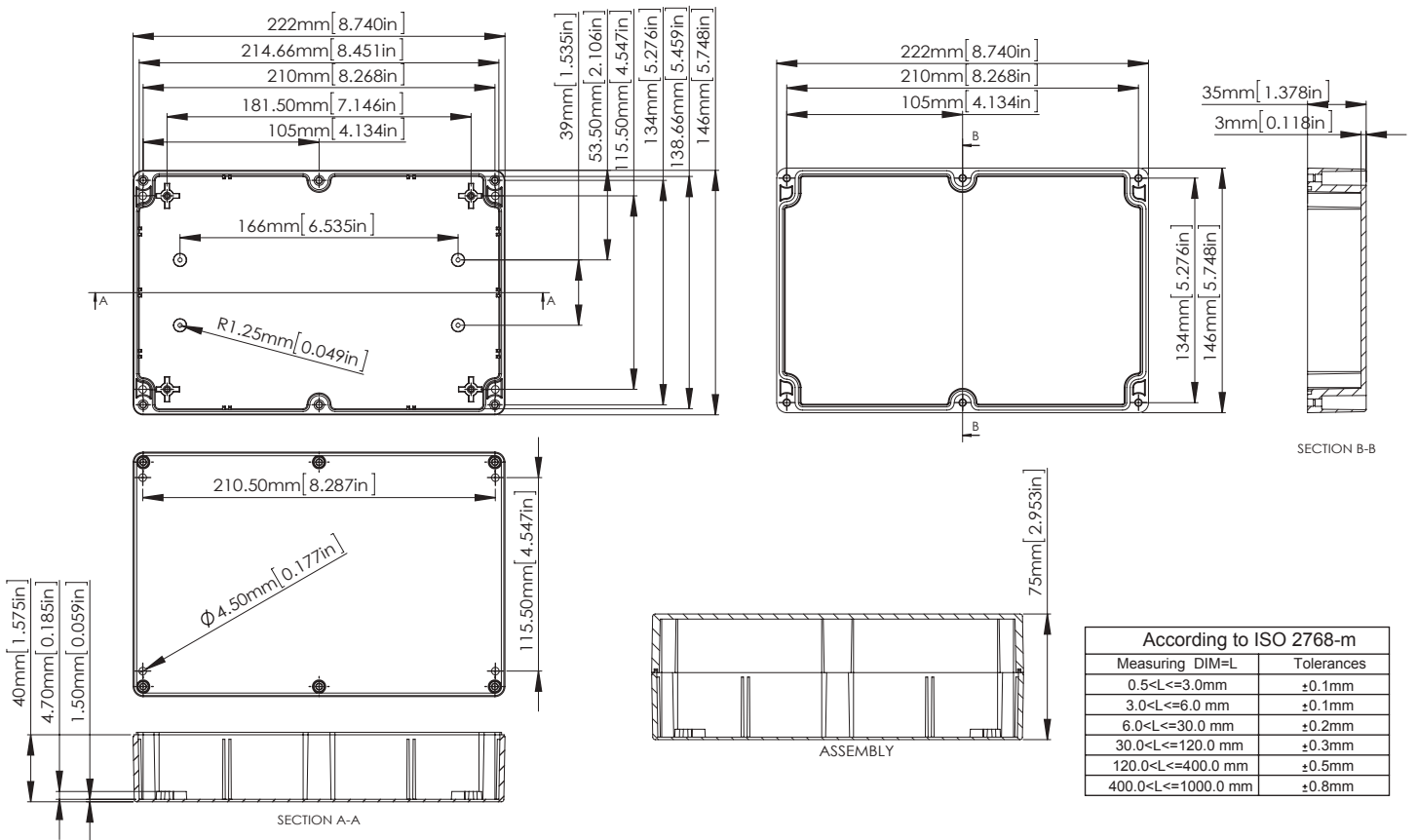
RND 455-01018 / RND 455-01019 / RND 455-01020



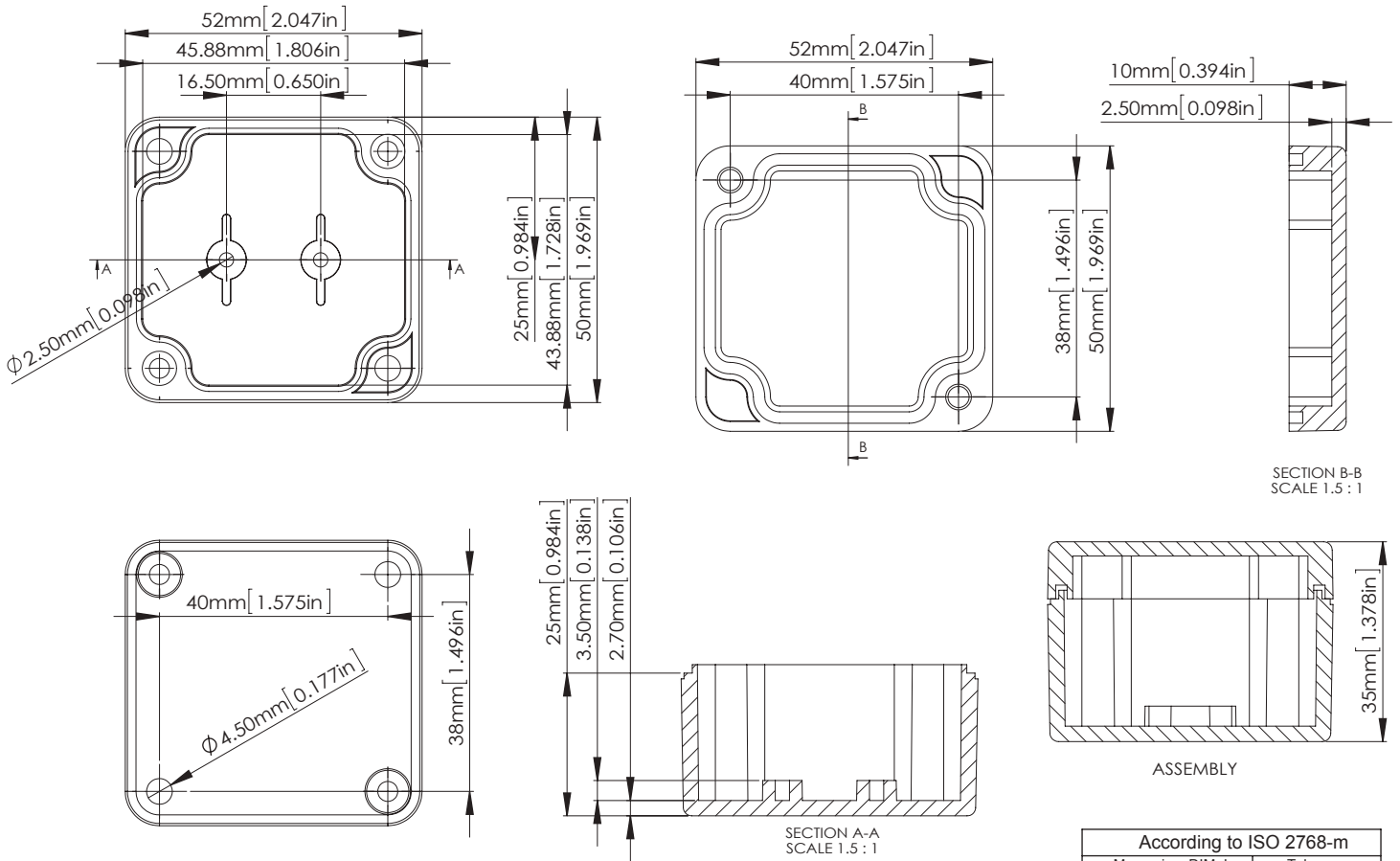
RND 455-01021 / RND 455-01022 / RND 455-01023



RND 455-01024 / RND 455-01025 / RND 455-01026



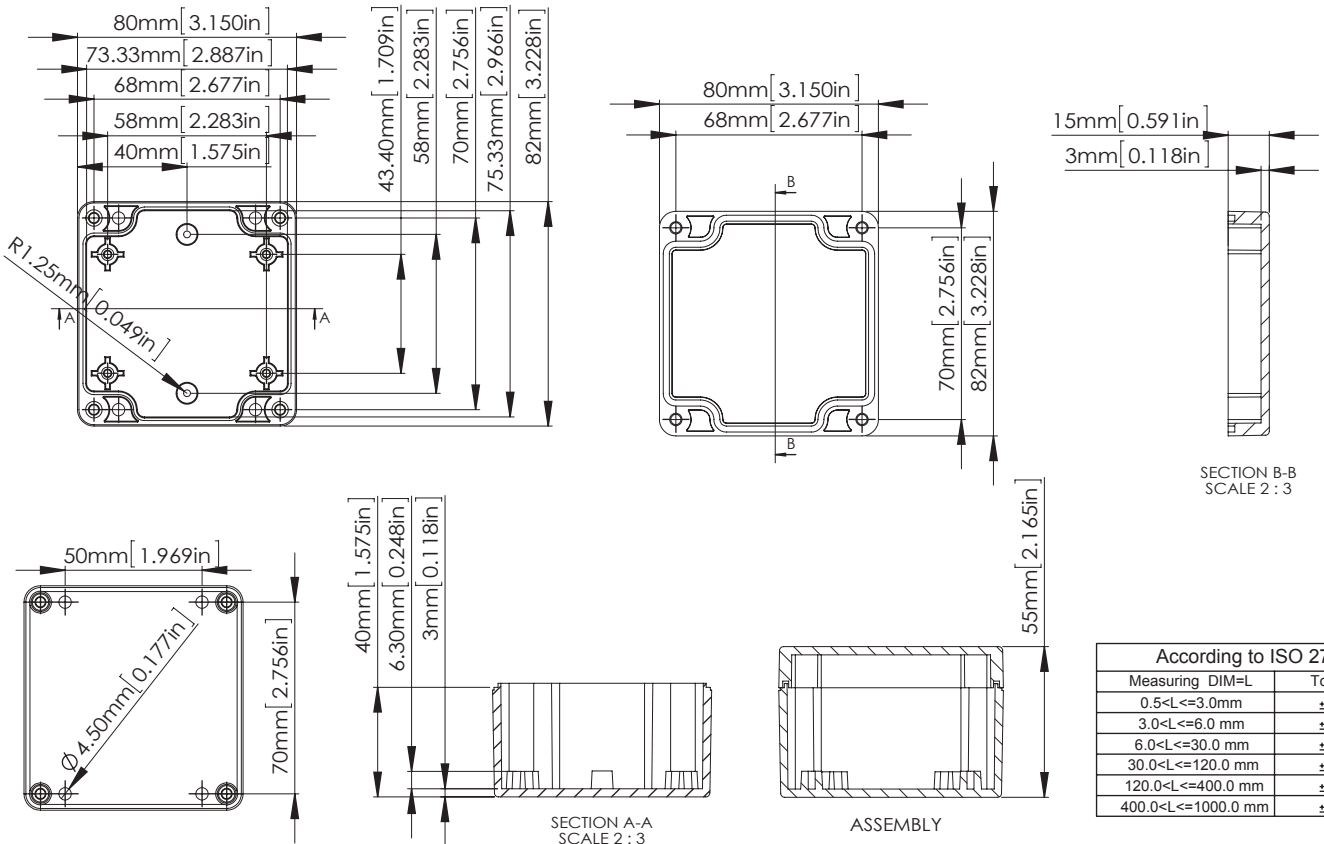
RND 455-01027 / RND 455-01028 / RND 455-01029



According to ISO 2768-m

Measuring DIM=L	Tolerances
0.5<L≤3.0mm	±0.1mm
3.0<L≤6.0 mm	±0.1mm
6.0<L≤30.0 mm	±0.2mm
30.0<L≤120.0 mm	±0.3mm
120.0<L≤400.0 mm	±0.5mm
400.0<L≤1000.0 mm	±0.8mm

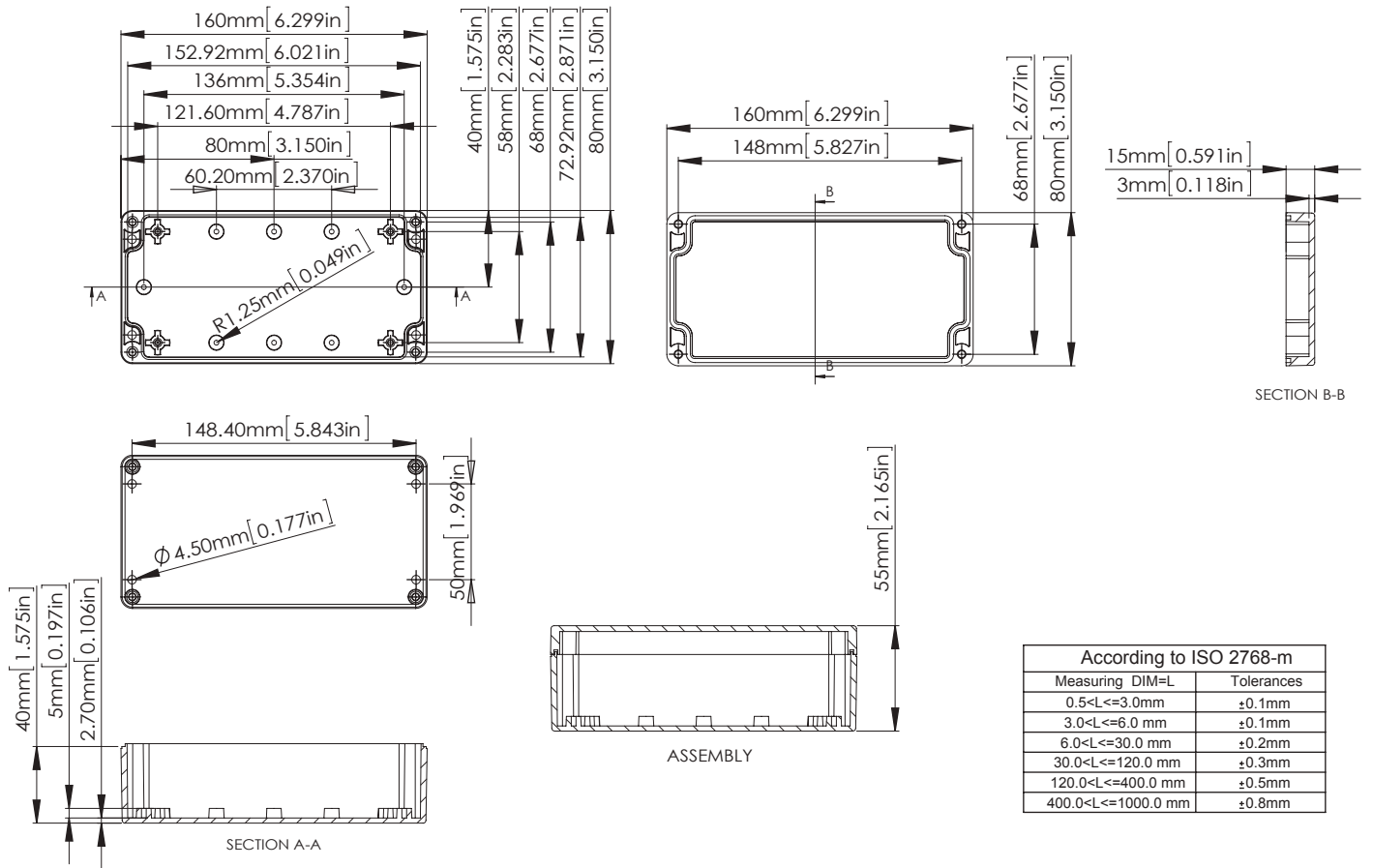
RND 455-01030 / RND 455-01031 / RND 455-01032



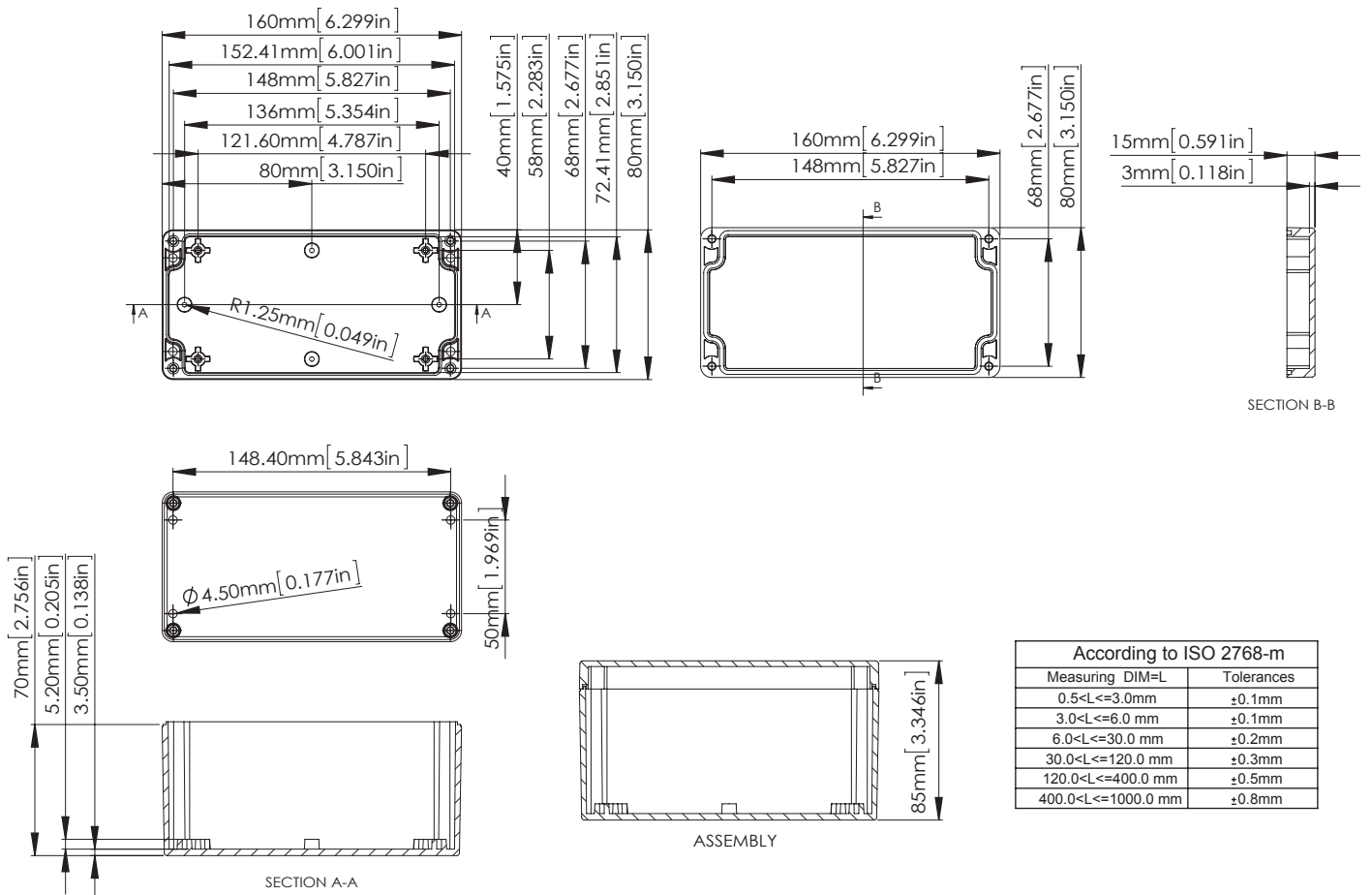
According to ISO 2768-m

Measuring DIM=L	Tolerances
0.5<L≤3.0mm	±0.1mm
3.0<L≤6.0 mm	±0.1mm
6.0<L≤30.0 mm	±0.2mm
30.0<L≤120.0 mm	±0.3mm
120.0<L≤400.0 mm	±0.5mm
400.0<L≤1000.0 mm	±0.8mm

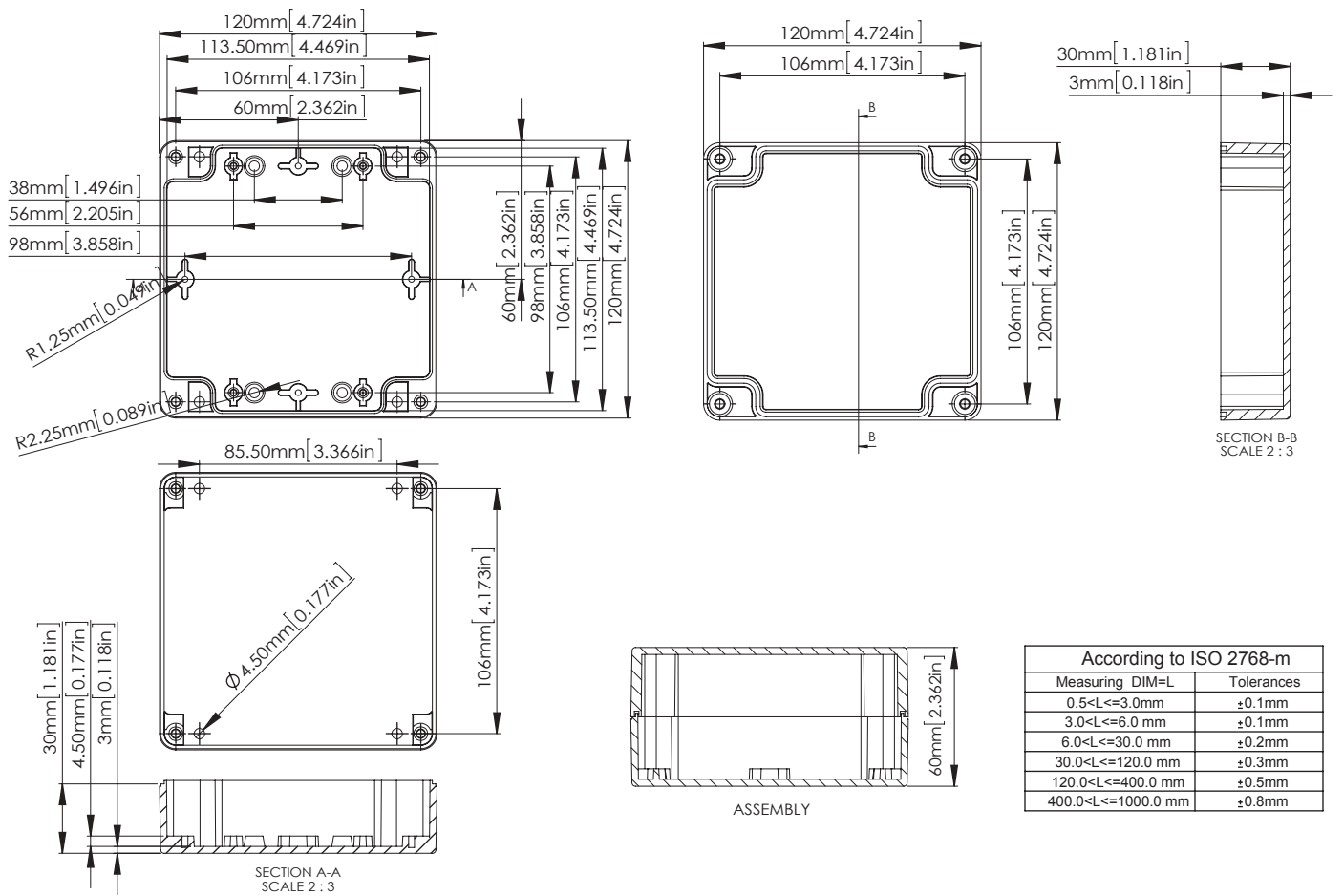
RND 455-01033/RND 455-01034/RND 455-01035



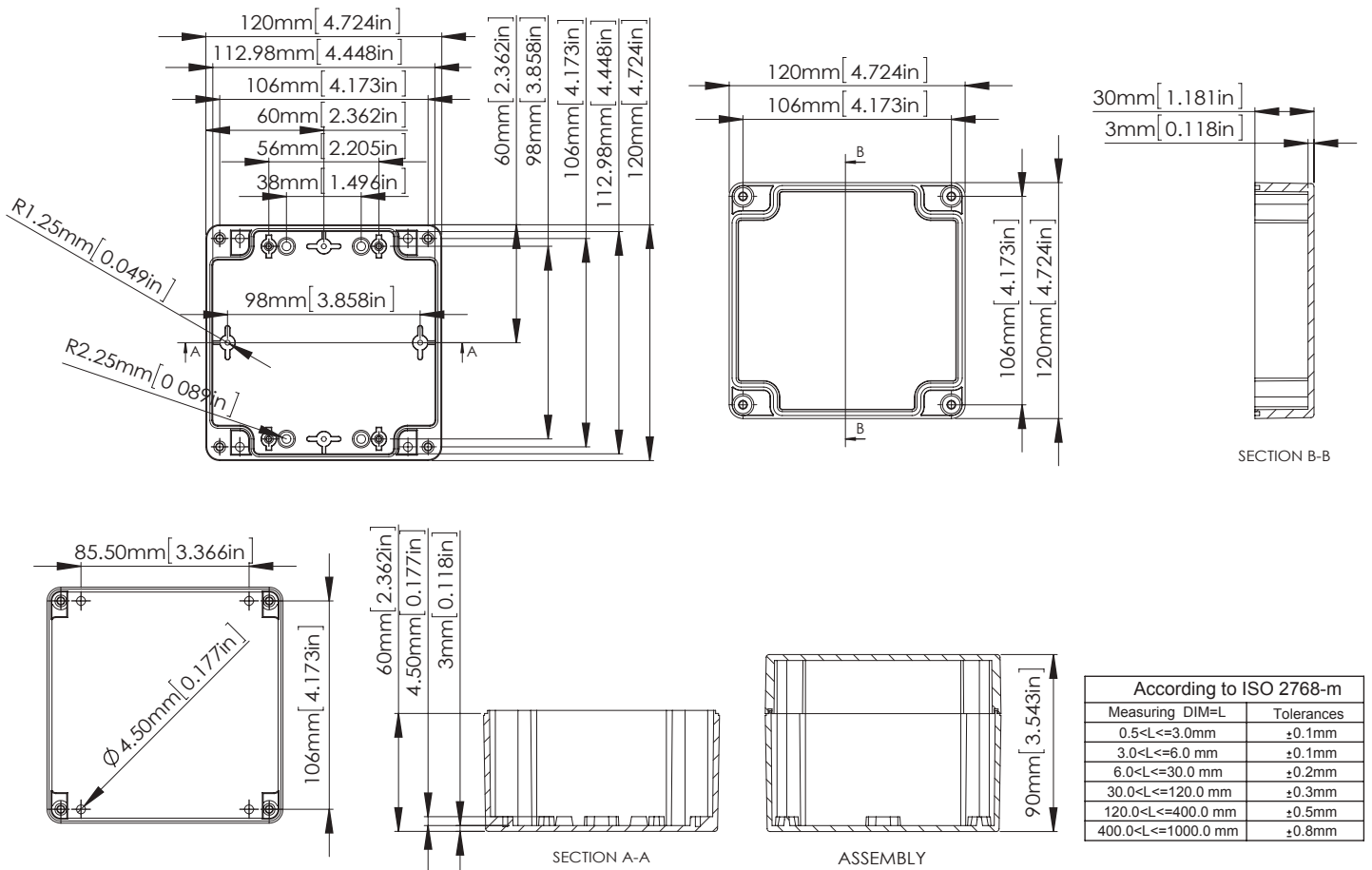
RND 455-01036/RND 455-01037/RND 455-01038



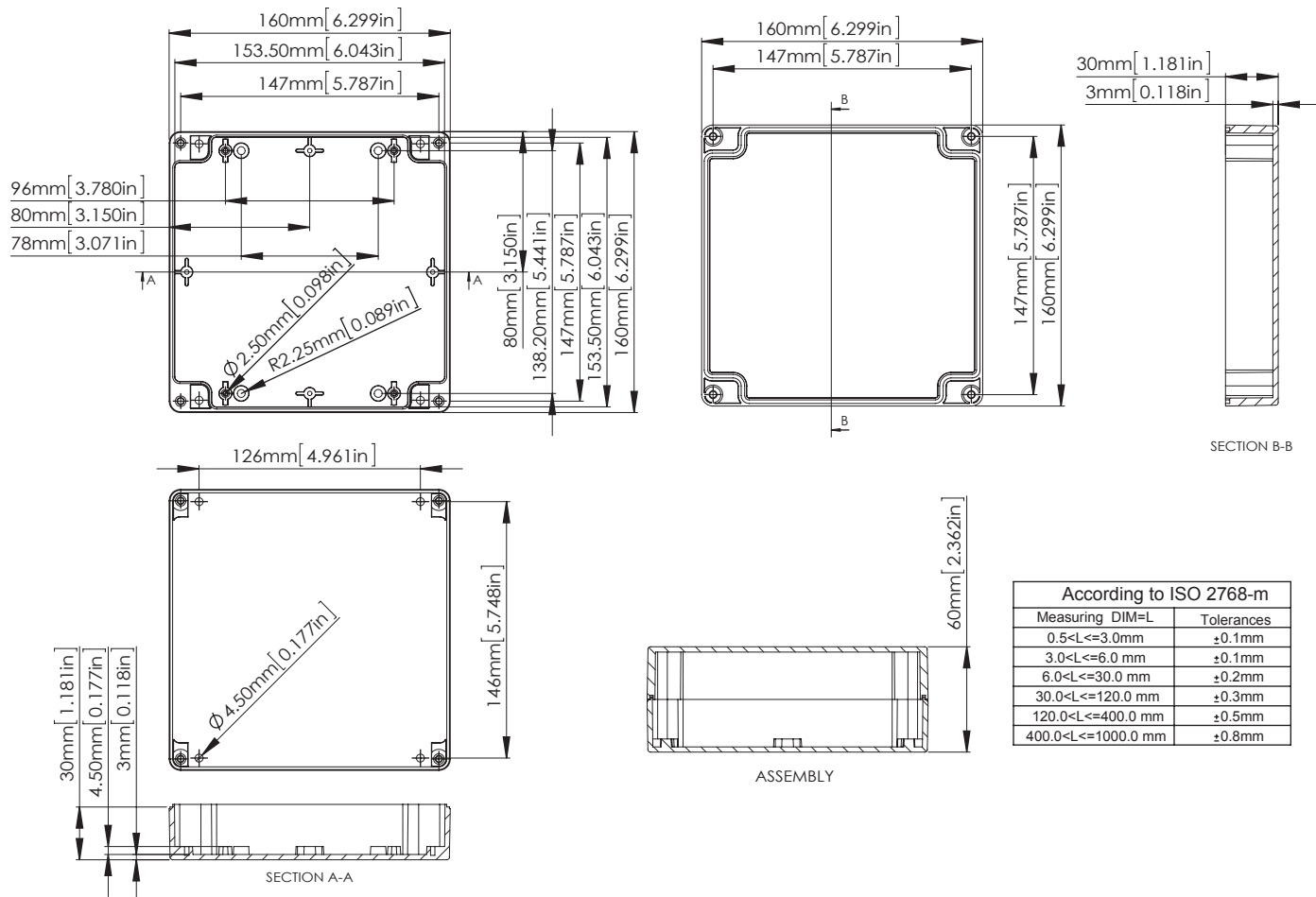
RND455-01039/RND 455-01040/RND 455-01041



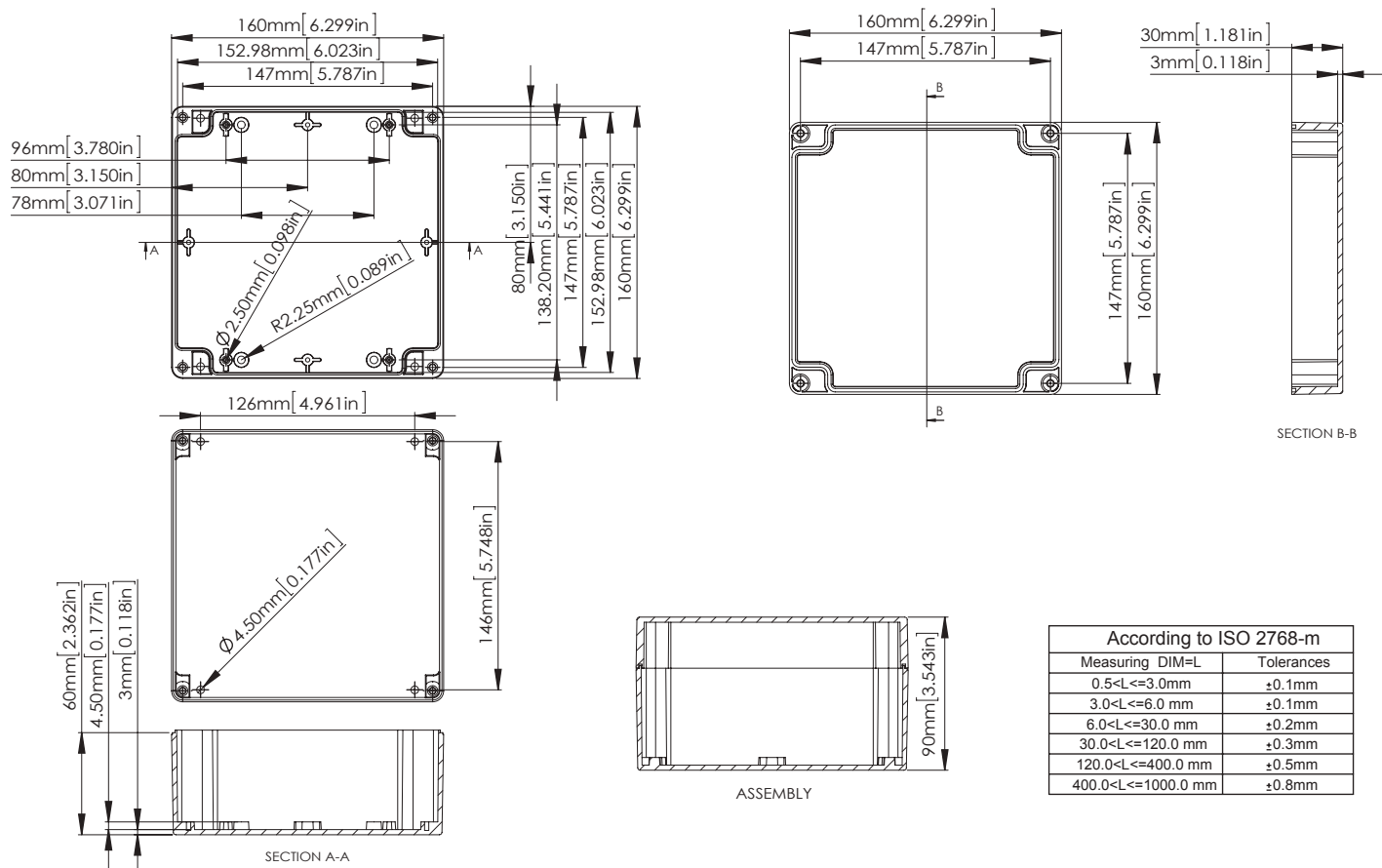
RND 455-01042/RND 455-01043 /RND 455-01044



RND 455-01045 / RND455-01046/RND 455-01047



RND 455-01048/RND 455-01049/RND 455-01050



IP67 Polycarbonate and ABS Enclosure with Mounting Flange



PRODUCT INFORMATION

- The lid and base incorporate a tongue and groove sealing system with a EPDM gasket.
- Wall mounting holes and lid fixing screws are outside the sealing area thus preventing the ingress of moisture and dust.
- IP67 protection.
- Bosses on internal base allow fixing of PCB's horizontally or connection of terminals with M3X4mm self-tapping screws.
- Internal guide slots for mounting PCB assemblies vertically.
- Available with clear, light grey and dark grey lids.

PC

- Material: Polycarbonate (UL94-HB)
- Moulded in: Light Grey.
- Operating temperature: -40°C ... 120°C.
- Clear lid is available on request.

ABS

- Material: High Impact ABS (UL94-HB)
- Moulded in: Dark Grey.
- Operating temperature: -20°C ... 80°C

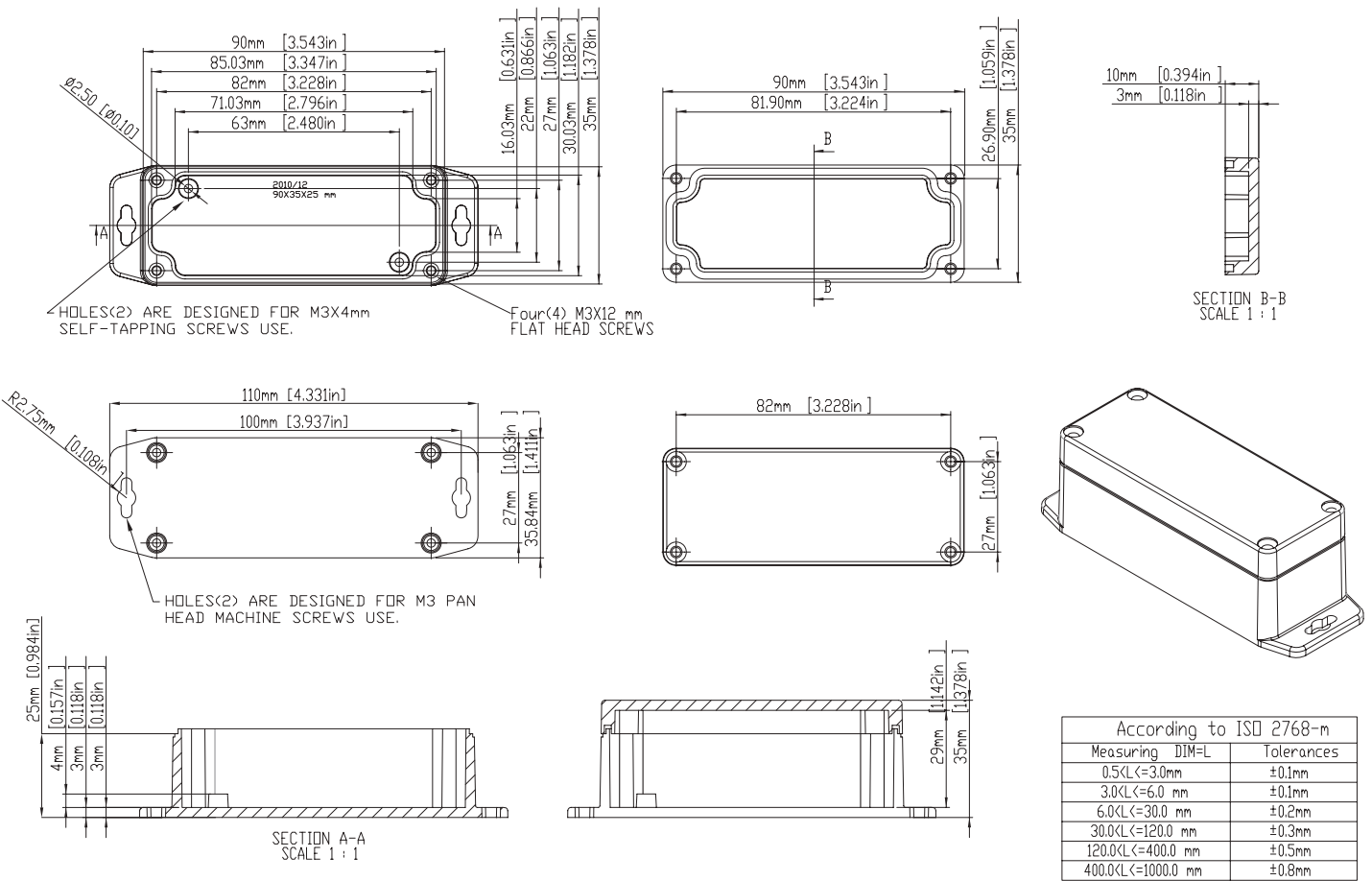
MATERIAL: POLYCARBONATE

ITEM No.	COLOUR		ITEM No.	COLOUR	
	LID	BASE		LID	BASE
RND 455-01051	Light Grey		RND 455-01067	Clear	Light Grey
RND 455-01052	Light Grey		RND 455-01068	Clear	Light Grey
RND 455-01053	Light Grey		RND 455-01069	Clear	Light Grey
RND 455-01054	Light Grey		RND 455-01070	Clear	Light Grey
RND 455-01055	Light Grey		RND 455-01071	Clear	Light Grey
RND 455-01056	Light Grey		RND 455-01072	Clear	Light Grey
RND 455-01057	Light Grey		RND 455-01073	Clear	Light Grey
RND 455-01058	Light Grey		RND 455-01074	Clear	Light Grey
RND 455-01059	Light Grey		RND 455-01075	Clear	Light Grey
RND 455-01060	Light Grey		RND 455-01076	Clear	Light Grey
RND 455-01061	Light Grey		RND 455-01077	Clear	Light Grey
RND 455-01062	Light Grey		RND 455-01078	Clear	Light Grey
RND 455-01063	Light Grey		RND 455-01079	Clear	Light Grey
RND 455-01064	Light Grey		RND 455-01080	Clear	Light Grey
RND 455-01065	Light Grey		RND 455-01081	Clear	Light Grey
RND 455-01066	Light Grey		RND 455-01082	Clear	Light Grey

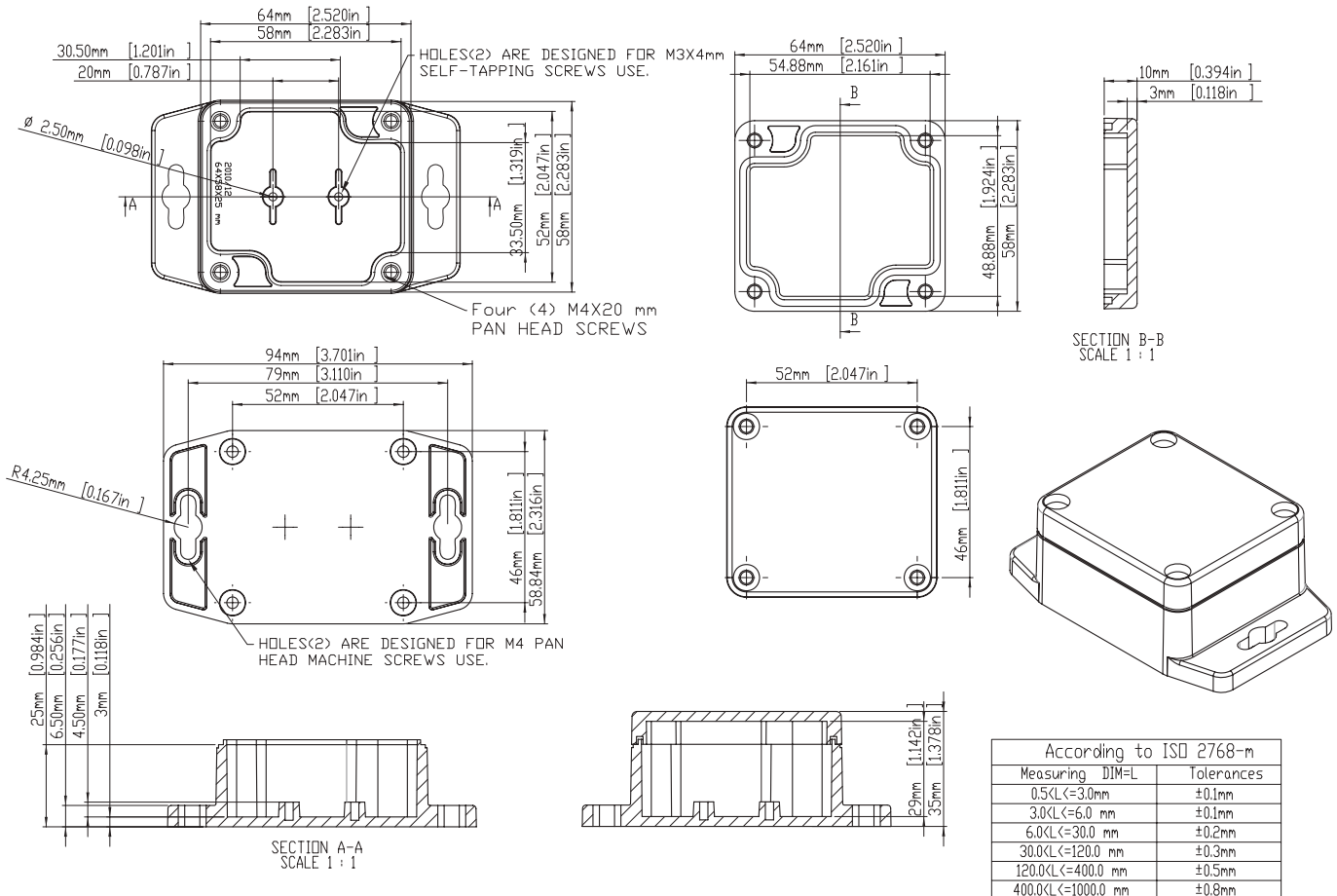
MATERIAL: ABS

ITEM No.	COLOUR		EXTERNAL DIMENSION(mm)
	LID	BASE	
RND 455-01083	Dark Grey		35 x 90 x 35
RND 455-01084	Dark Grey		58 x 64 x 35
RND 455-01085	Dark Grey		65 x 115 x 40
RND 455-01086	Dark Grey		65 x 115 x 55
RND 455-01087	Dark Grey		90 x 115 x 55
RND 455-01088	Dark Grey		121 x 171 x 55
RND 455-01089	Dark Grey		146 x 222 x 55
RND 455-01090	Dark Grey		90 x 115 x 80
RND 455-01091	Dark Grey		121 x 171 x 80
RND 455-01092	Dark Grey		146 x 222 x 75
RND 455-01093	Dark Grey		50 x 52 x 35
RND 455-01094	Dark Grey		82 x 80 x 55
RND 455-01095	Dark Grey		80 x 160 x 55
RND 455-01096	Dark Grey		80 x 160 x 85
RND 455-01097	Dark Grey		120 x 120 x 60
RND 455-01098	Dark Grey		120 x 120 x 90

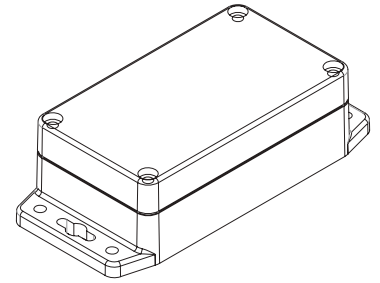
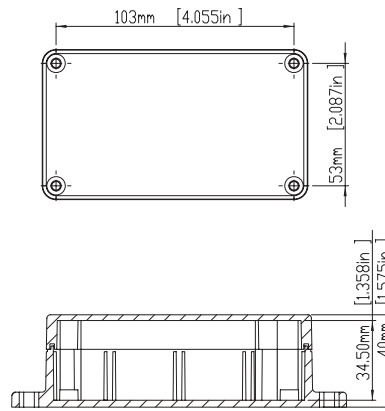
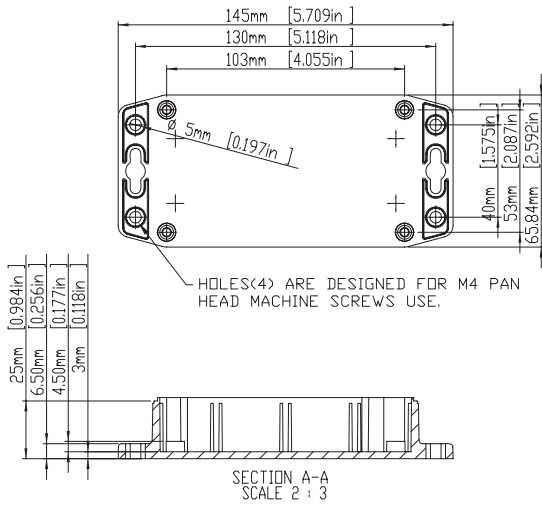
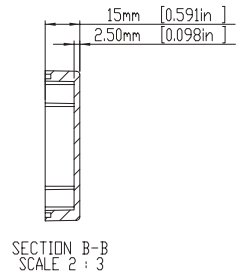
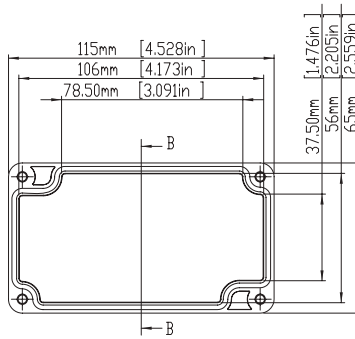
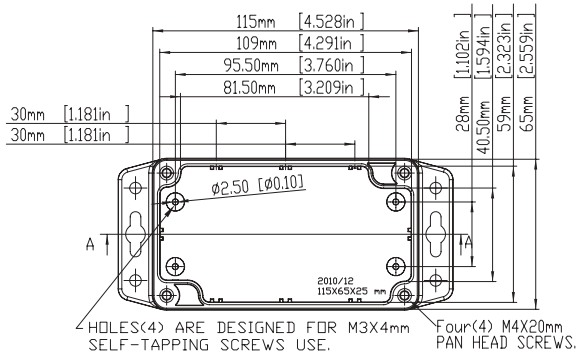
RND 455-01051 / RND 455-01067 / RND 455-01083



RND 455-01052 / RND 455-01068 / RND 455-01084



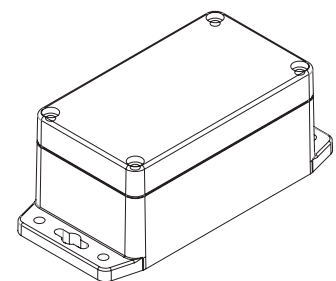
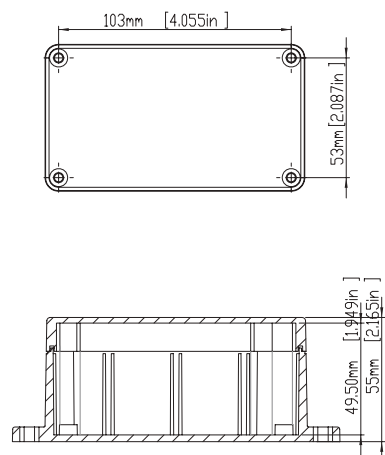
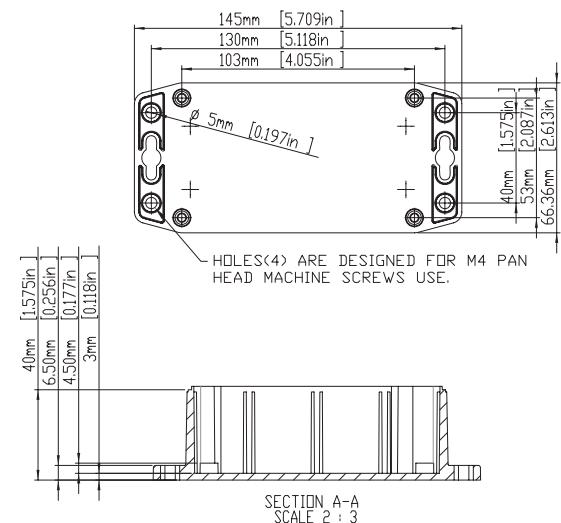
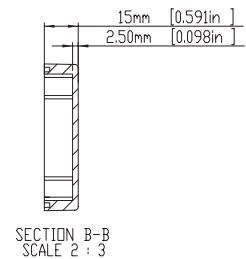
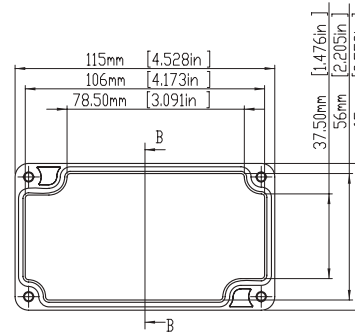
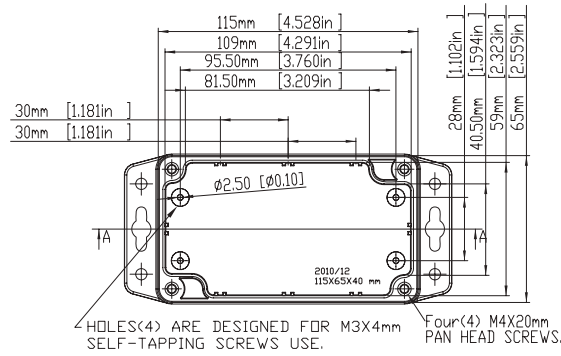
RND 455-01053 / RND 455-01069 / RND 455-01085



According to ISO 2768-m

Measuring DIM=L	Tolerances
0.5<L<=3.0mm	±0.1mm
3.0<L<=6.0 mm	±0.1mm
6.0<L<=30.0 mm	±0.2mm
30.0<L<=120.0 mm	±0.3mm
120.0<L<=400.0 mm	±0.5mm
400.0<L<=1000.0 mm	±0.8mm

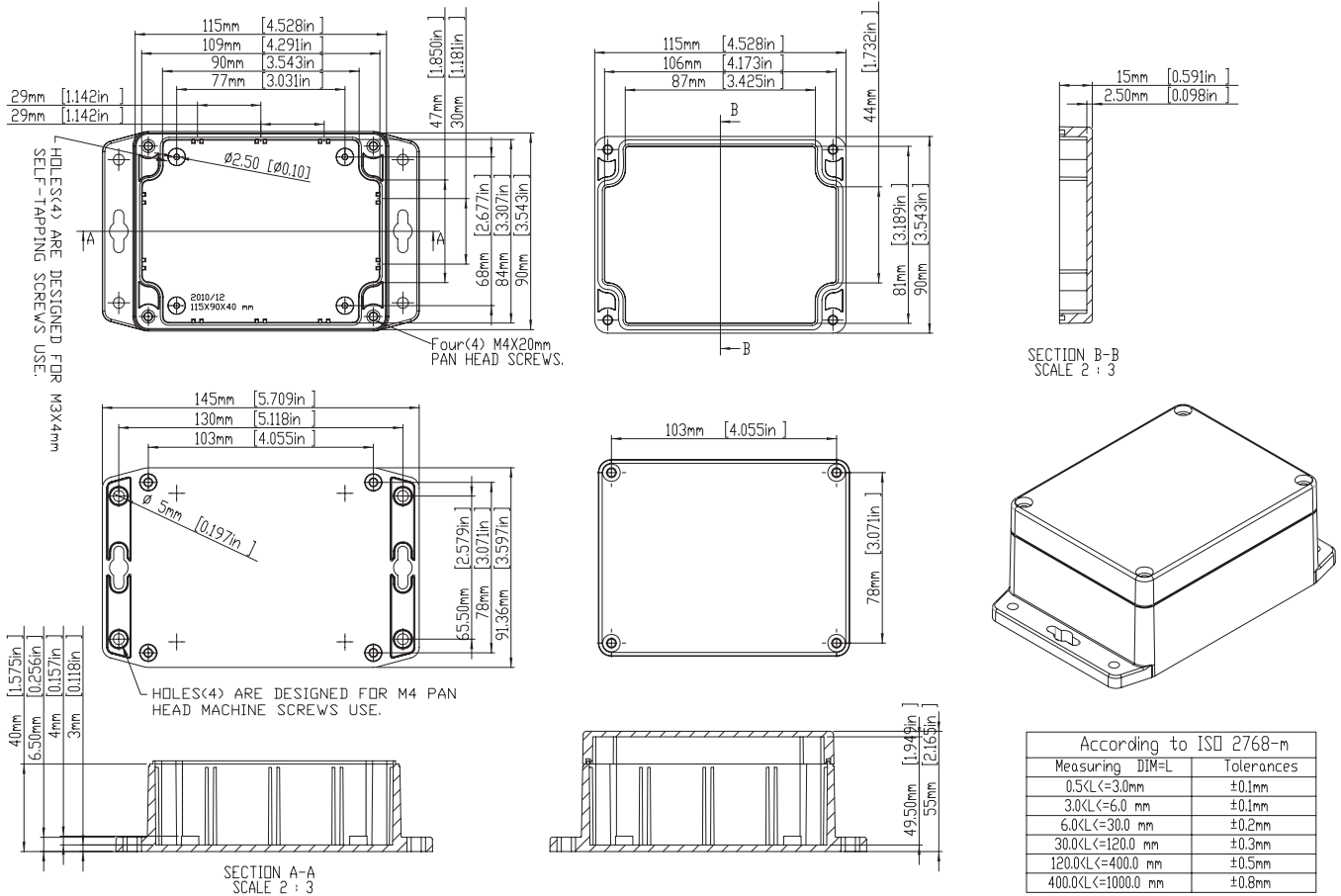
RND 455-01054 / RND 455-01070 / RND 455-01086



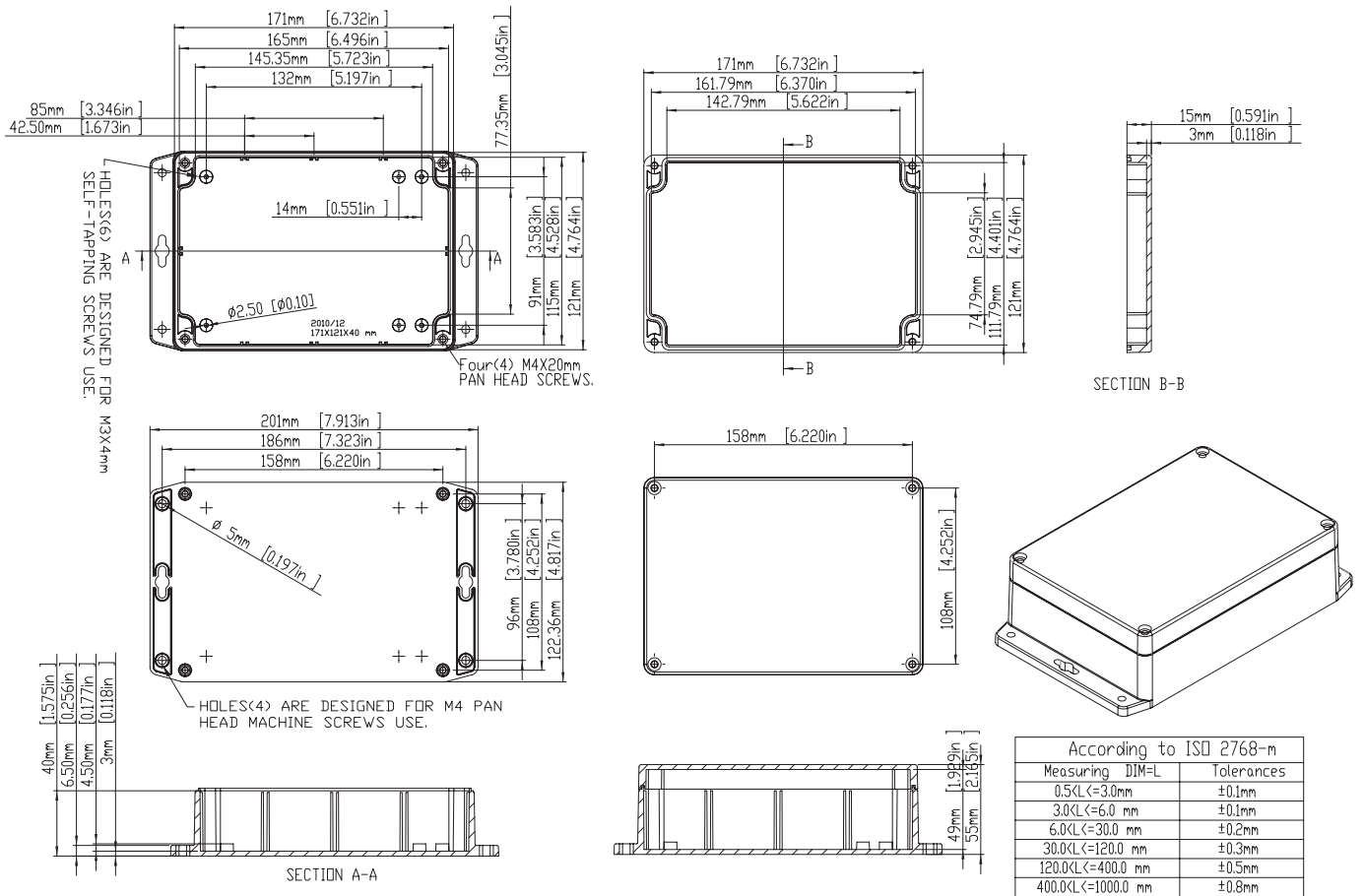
According to ISO 2768-m

Measuring DIM=L	Tolerances
0.5<L<=3.0mm	±0.1mm
3.0<L<=6.0 mm	±0.1mm
6.0<L<=30.0 mm	±0.2mm
30.0<L<=120.0 mm	±0.3mm
120.0<L<=400.0 mm	±0.5mm
400.0<L<=1000.0 mm	±0.8mm

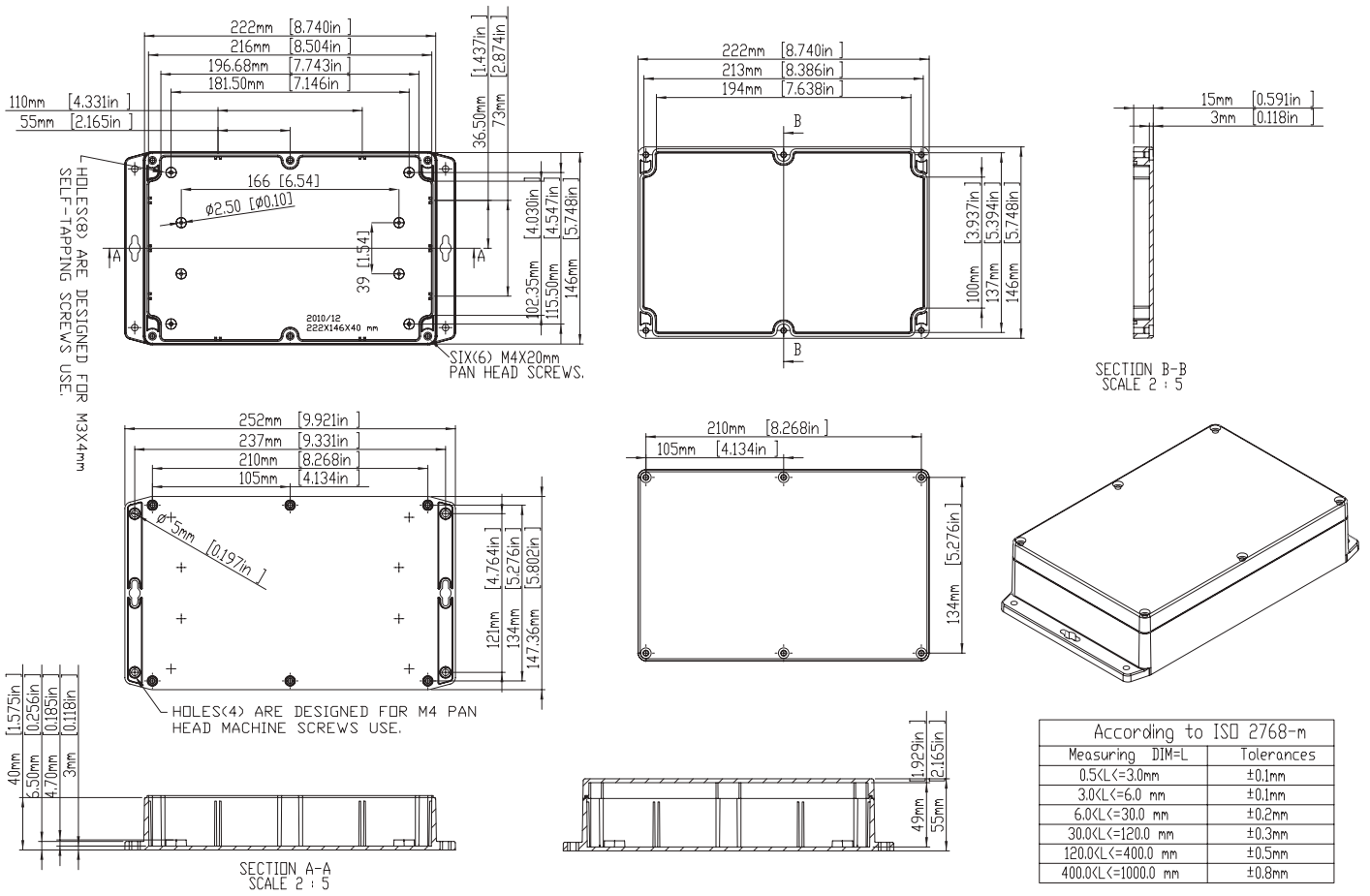
RND 455-01055 / RND 455-01071 / RND 455-01087



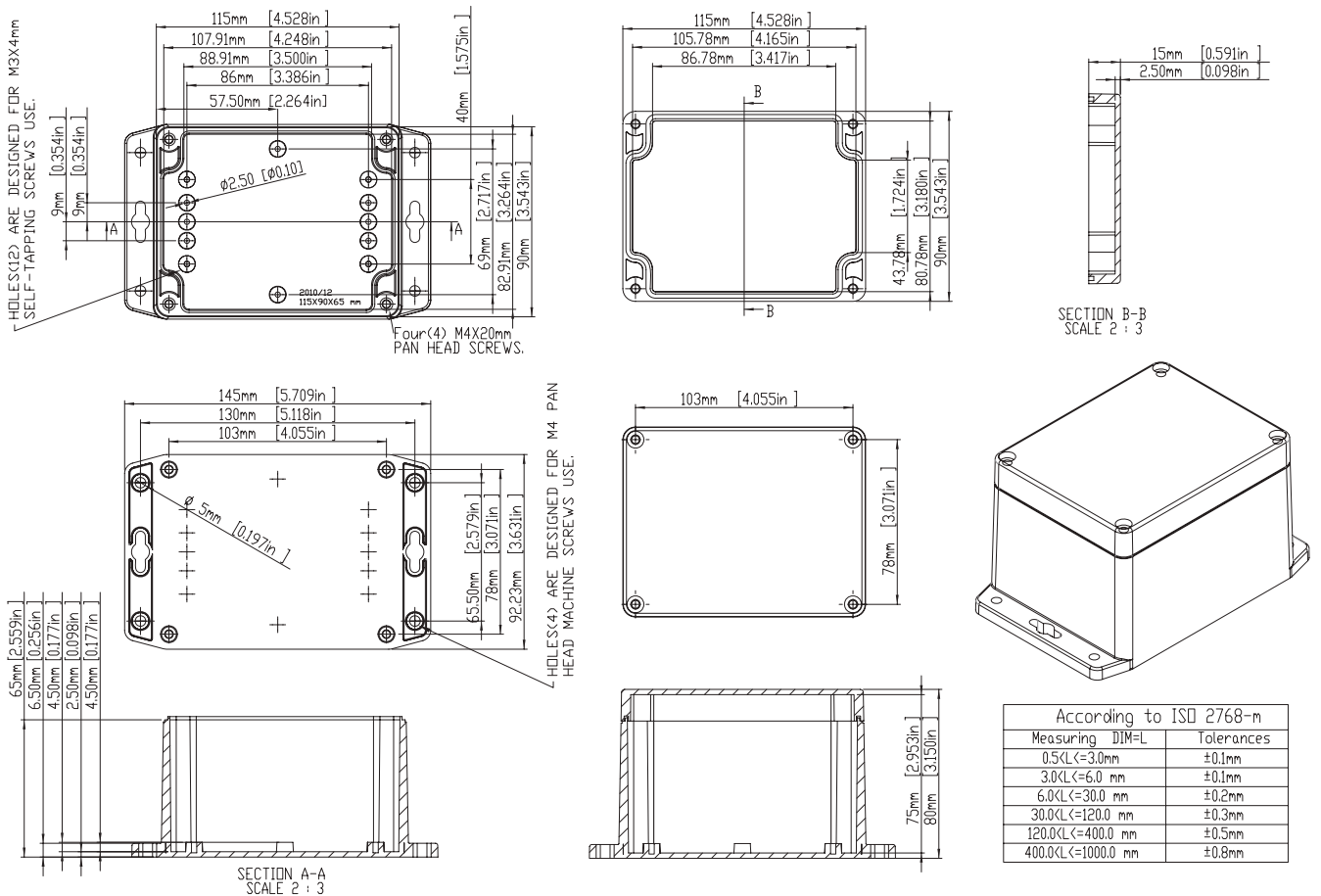
RND 455-01056 / RND 455-01072 / RND 455-01088



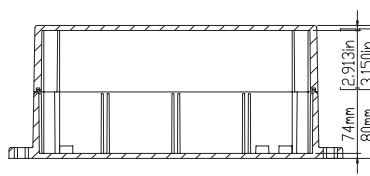
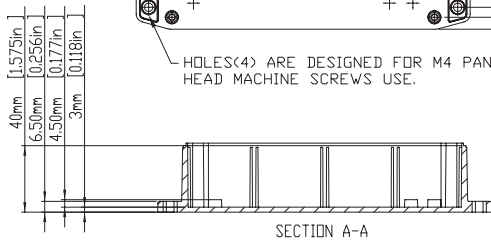
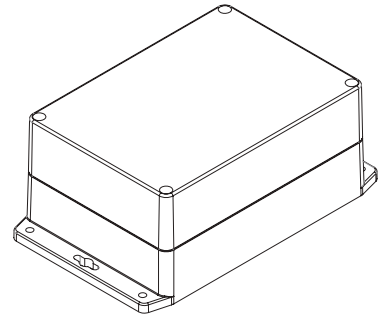
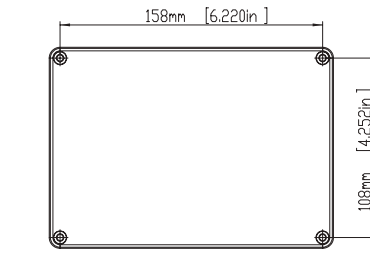
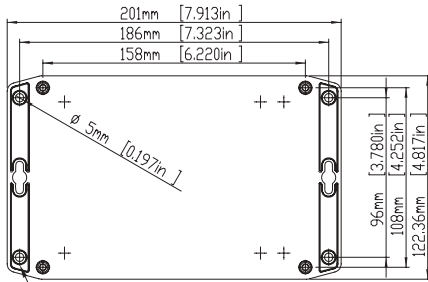
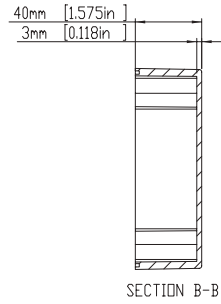
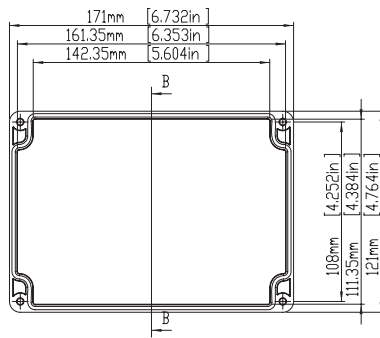
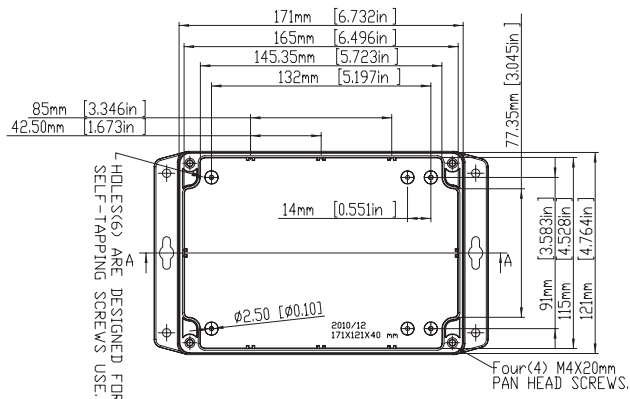
RND 455-01057 / RND 455-01073 / RND 455-01089



RND 455-01058 / RND 455-01074 / RND 455-01090



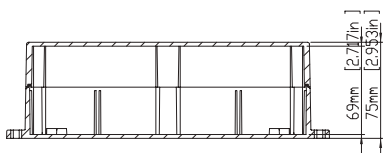
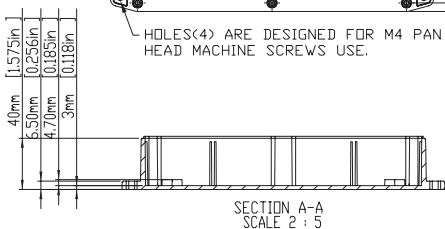
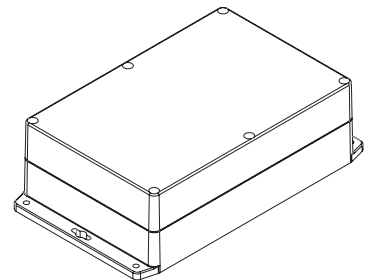
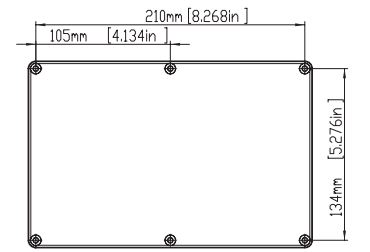
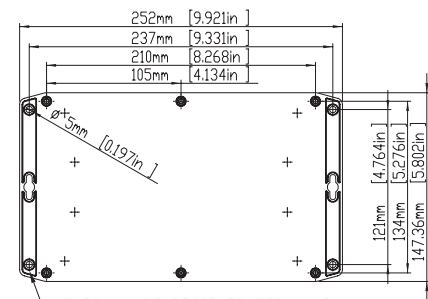
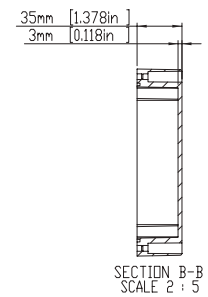
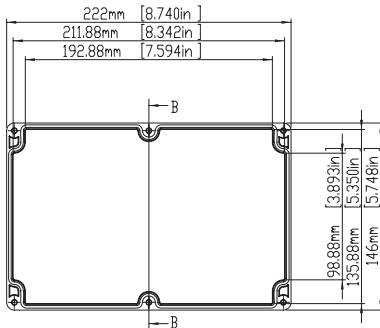
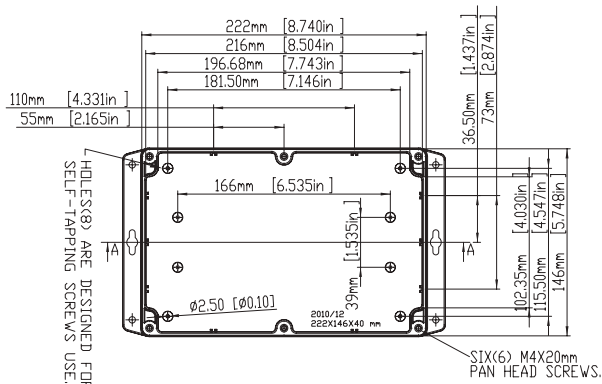
RND 455-01059 / RND 455-01075 / RND 455-01091



According to ISO 2768-m

Measuring DIM=L	Tolerances
0.5<L<=3.0mm	±0.1mm
3.0<L<=6.0 mm	±0.1mm
6.0<L<=30.0 mm	±0.2mm
30.0<L<=120.0 mm	±0.3mm
120.0<L<=400.0 mm	±0.5mm
400.0<L<=1000.0 mm	±0.8mm

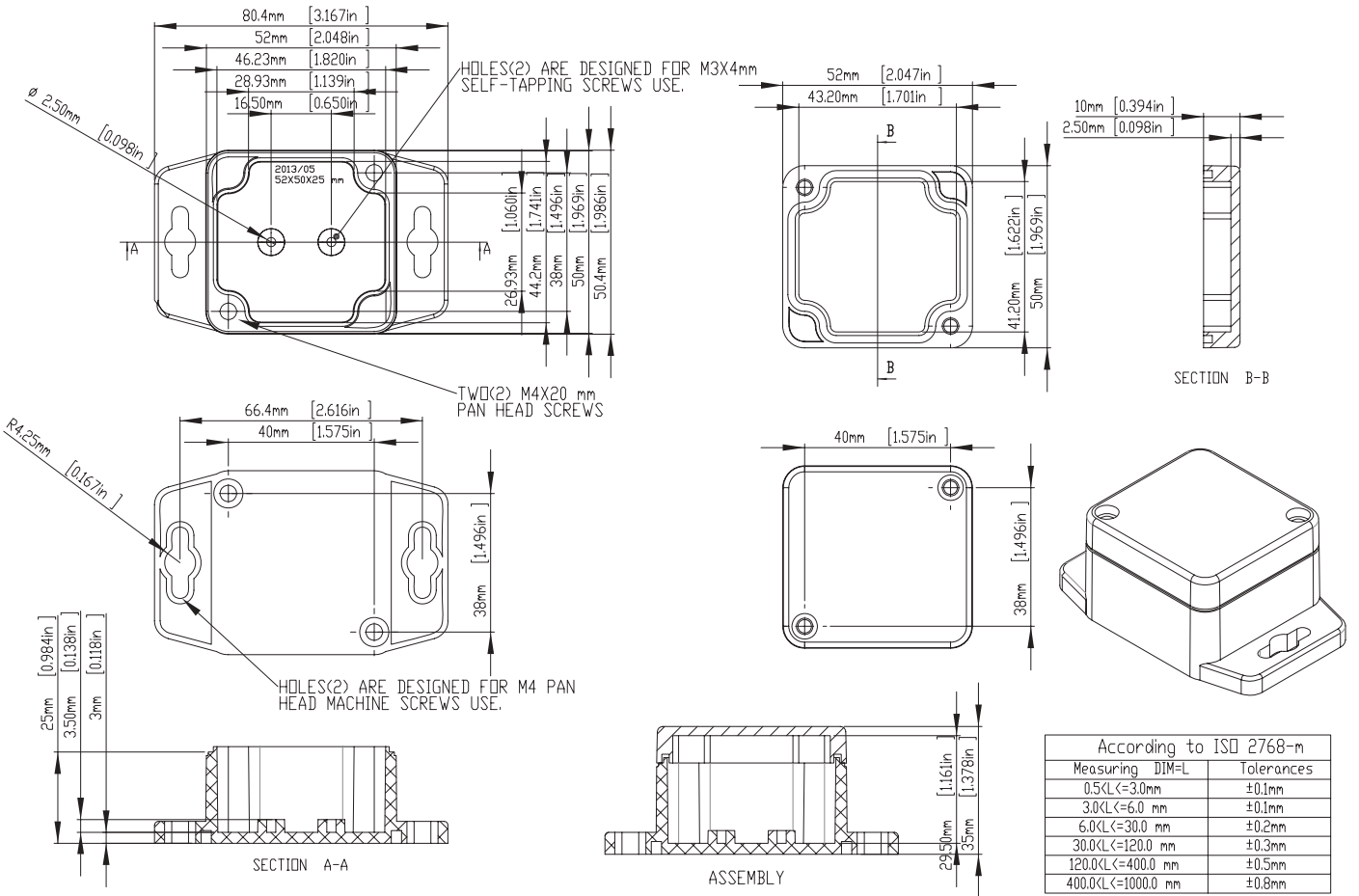
RND 455-01060 / RND 455-01076 / RND 455-01092



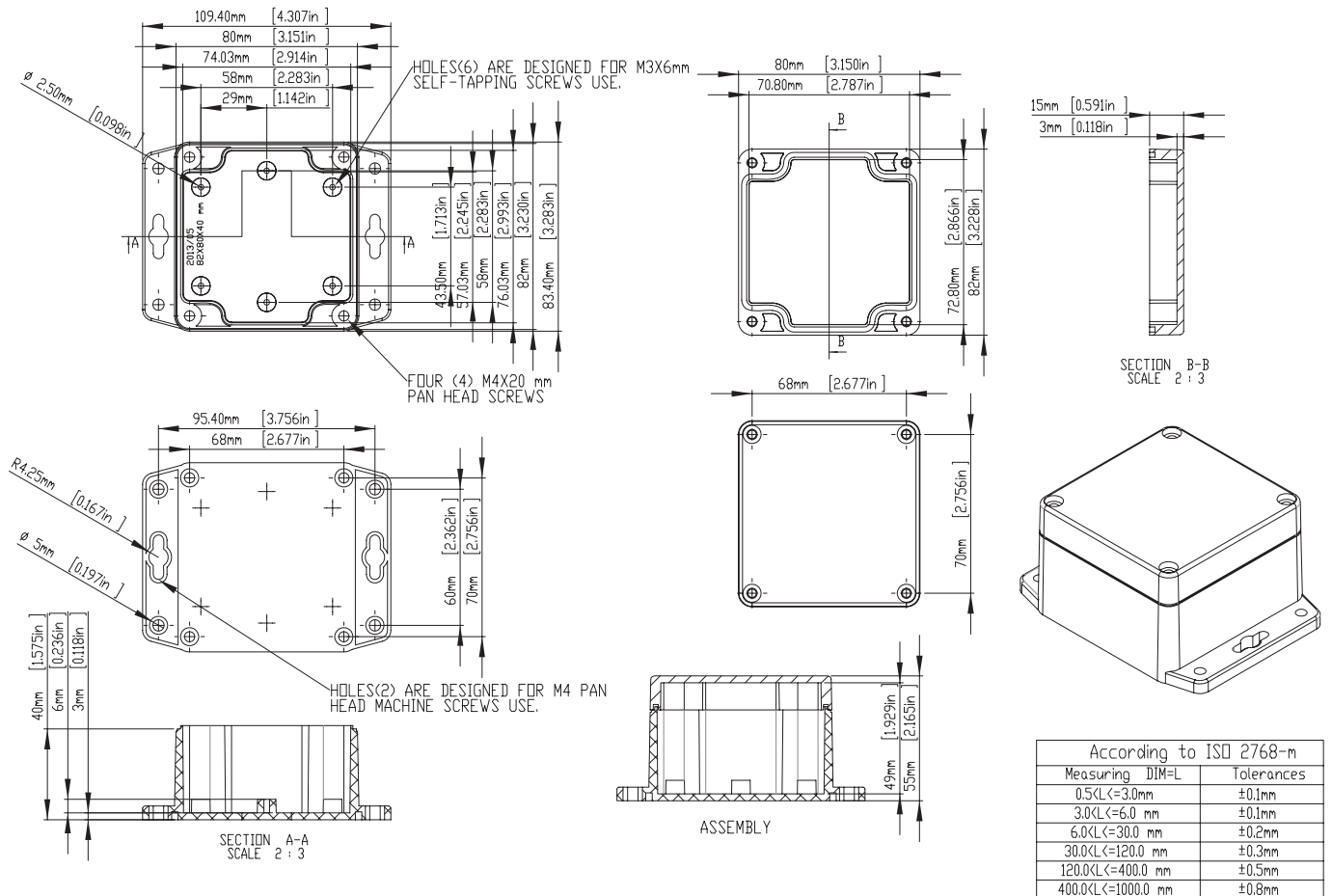
According to ISO 2768-m

Measuring DIM=L	Tolerances
0.5<L<=3.0mm	±0.1mm
3.0<L<=6.0 mm	±0.1mm
6.0<L<=30.0 mm	±0.2mm
30.0<L<=120.0 mm	±0.3mm
120.0<L<=400.0 mm	±0.5mm
400.0<L<=1000.0 mm	±0.8mm

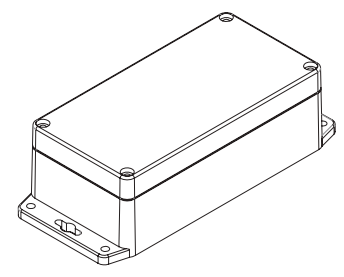
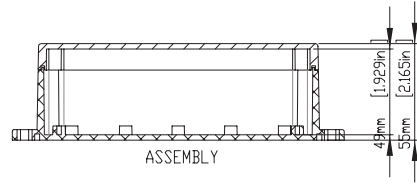
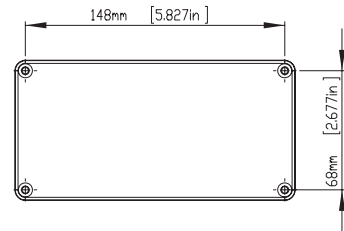
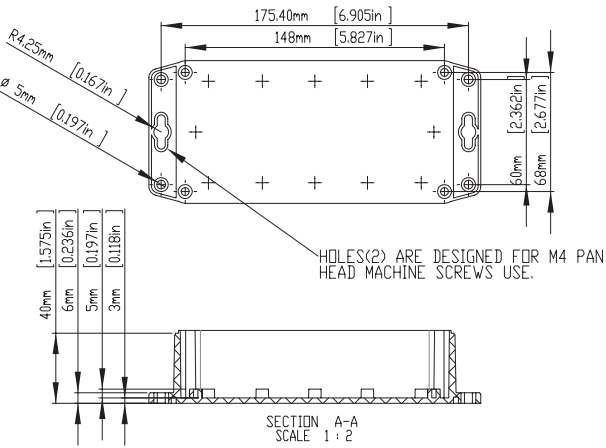
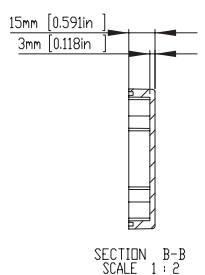
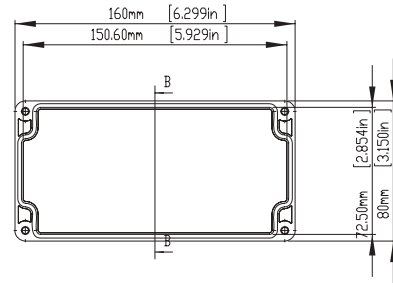
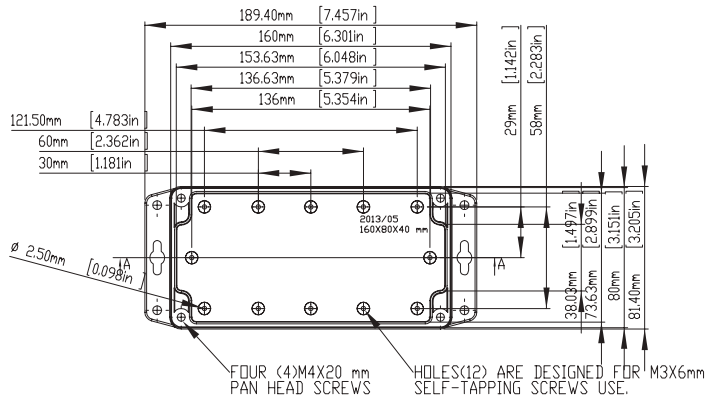
RND 455-01061 / RND 455-01077 / RND 455-01093



RND 455-01062 / RND 455-01078 / RND 455-01094



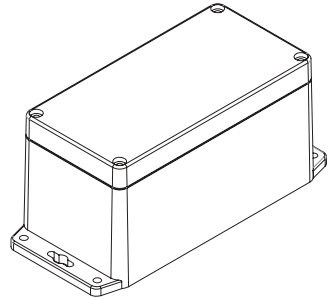
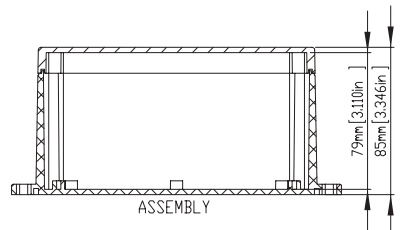
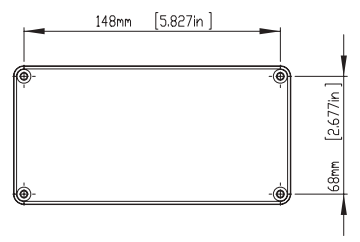
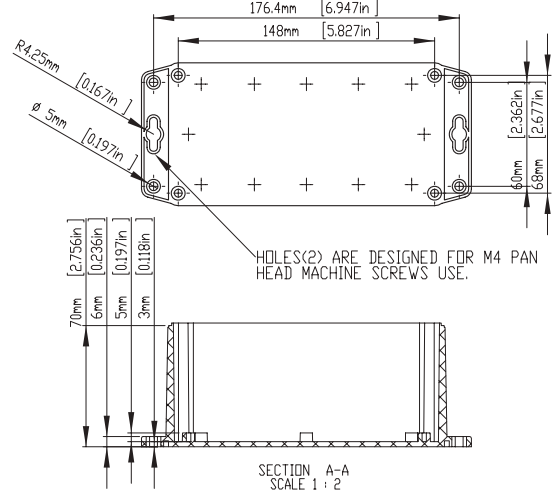
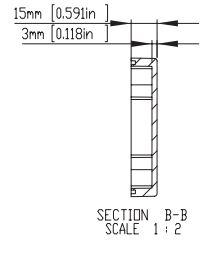
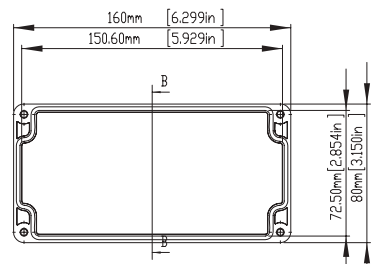
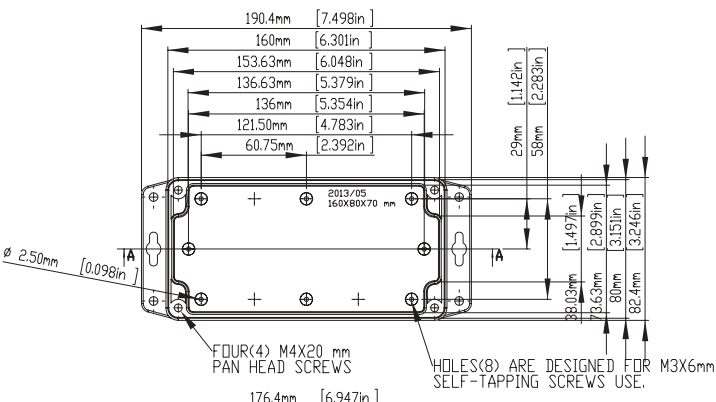
RND 455-01063 / RND 455-01079 / RND 455-01095



According to ISO 2768-m

Measuring DIM=L	Tolerances
0.5<L<=3.0mm	±0.1mm
3.0<L<=6.0 mm	±0.1mm
6.0<L<=30.0 mm	±0.2mm
30.0<L<=120.0 mm	±0.3mm
120.0<L<=400.0 mm	±0.5mm
400.0<L<=1000.0 mm	±0.8mm

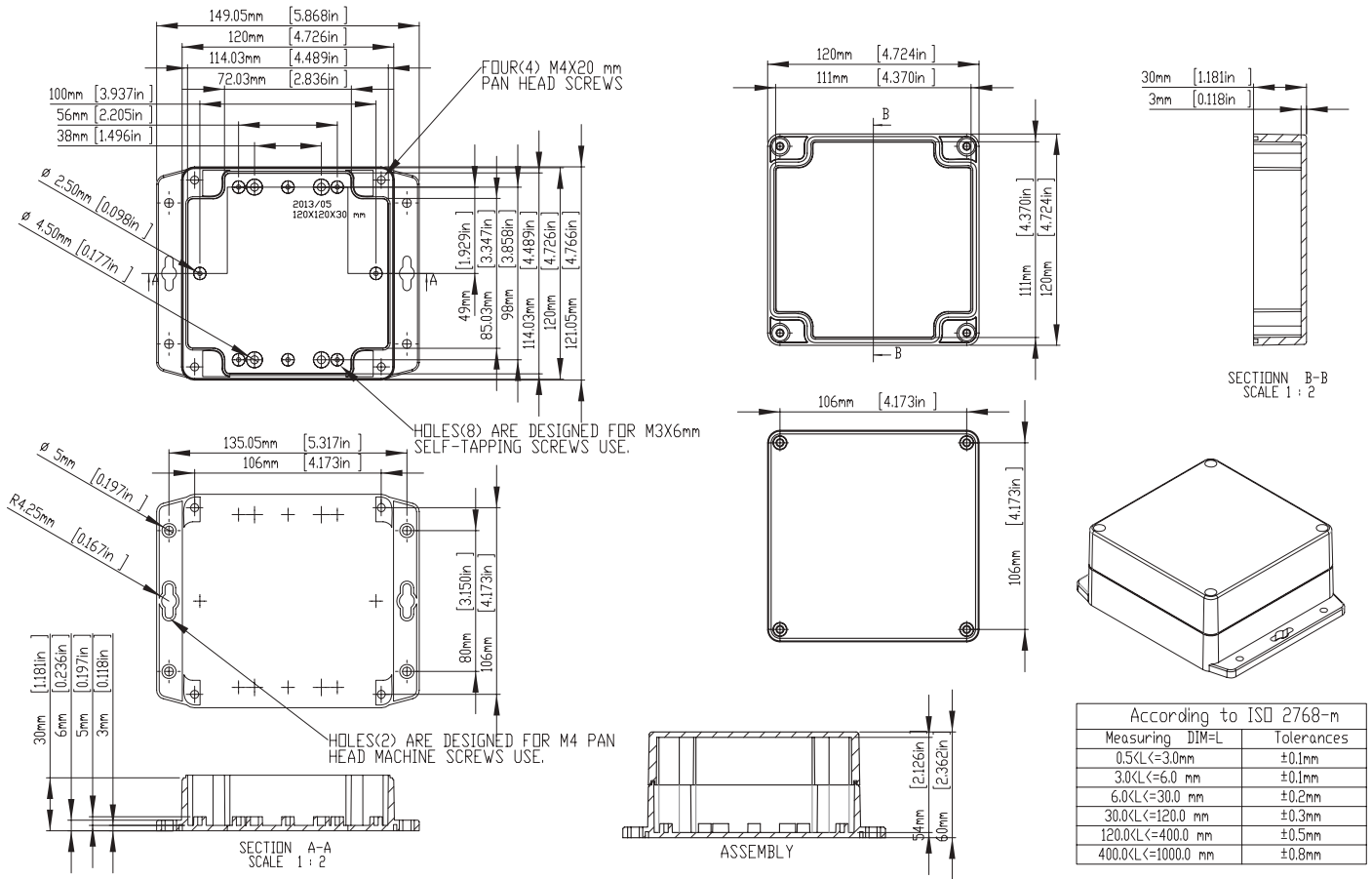
RND 455-01064 / RND 455-01080 / RND 455-01096



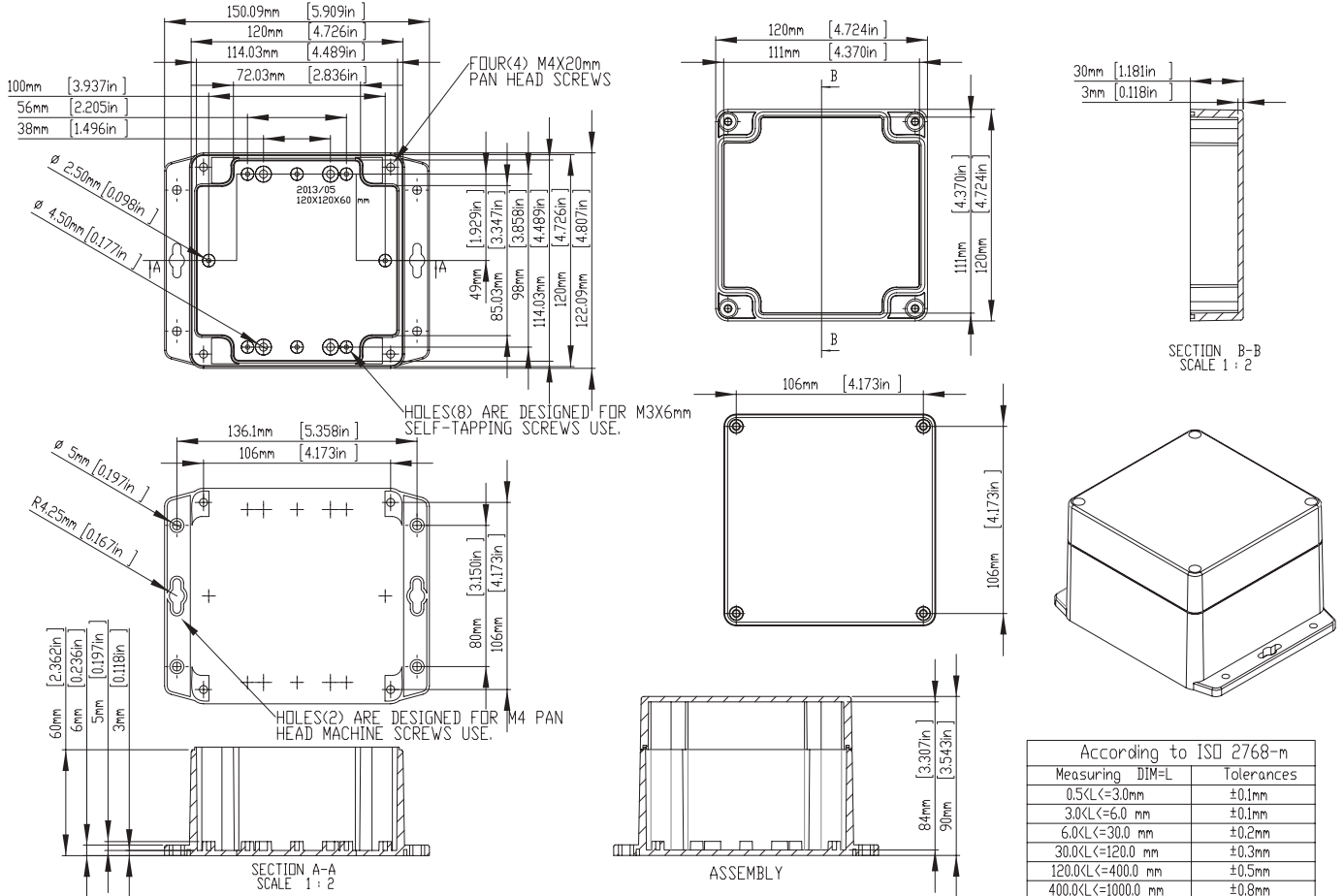
According to ISO 2768-m

Measuring DIM=L	Tolerances
0.5<L<=3.0mm	±0.1mm
3.0<L<=6.0 mm	±0.1mm
6.0<L<=30.0 mm	±0.2mm
30.0<L<=120.0 mm	±0.3mm
120.0<L<=400.0 mm	±0.5mm
400.0<L<=1000.0 mm	±0.8mm

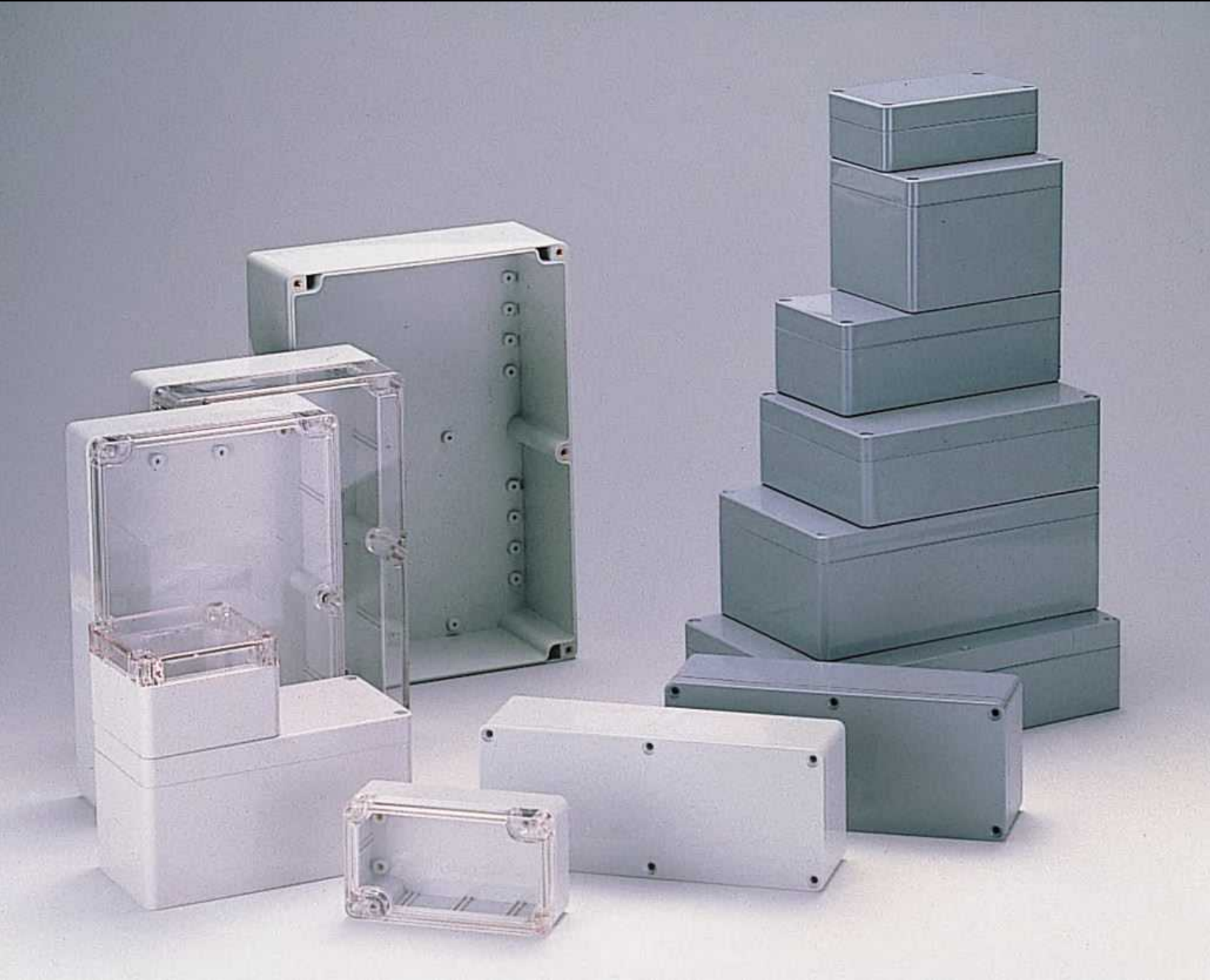
RND 455-01065 / RND 455-01081 / RND 455-01097



RND 455-01066 / RND 455-01082 / RND 455-01098



Sealed Polycarbonate and ABS Enclosures



PRODUCT INFORMATION

- The lid and base incorporate a tongue and groove sealing system with a EPDM gasket.
- Wall mounting holes and lid fixing screws are outside the sealing area thus preventing the ingress of moisture and dust.
- Designed to IP65 of IEC 529 (Dust and Hoseproof).
- Available with clear or light grey lids.
- Internal guide slots for mounting PCB assemblies vertically.
- Bosses on internal base allow fixing of PCB's horizontally or connection of terminals with M3X4mm self-tapping screws.

PC

- Material: Polycarbonate (UL94-HB)
- Moulded in: Light Grey.
- Operating temperature: -40°C ... 120°C.
- Clear lid is available on request.

ABS

- Material: High Impact ABS (UL94-HB)
- Moulded in: Dark Grey.
- Operating temperature: -20°C ... 80°C

Example



RND 455-00172



RND 455-00194



RND 455-00217

MATERIAL: POLYCARBONATE

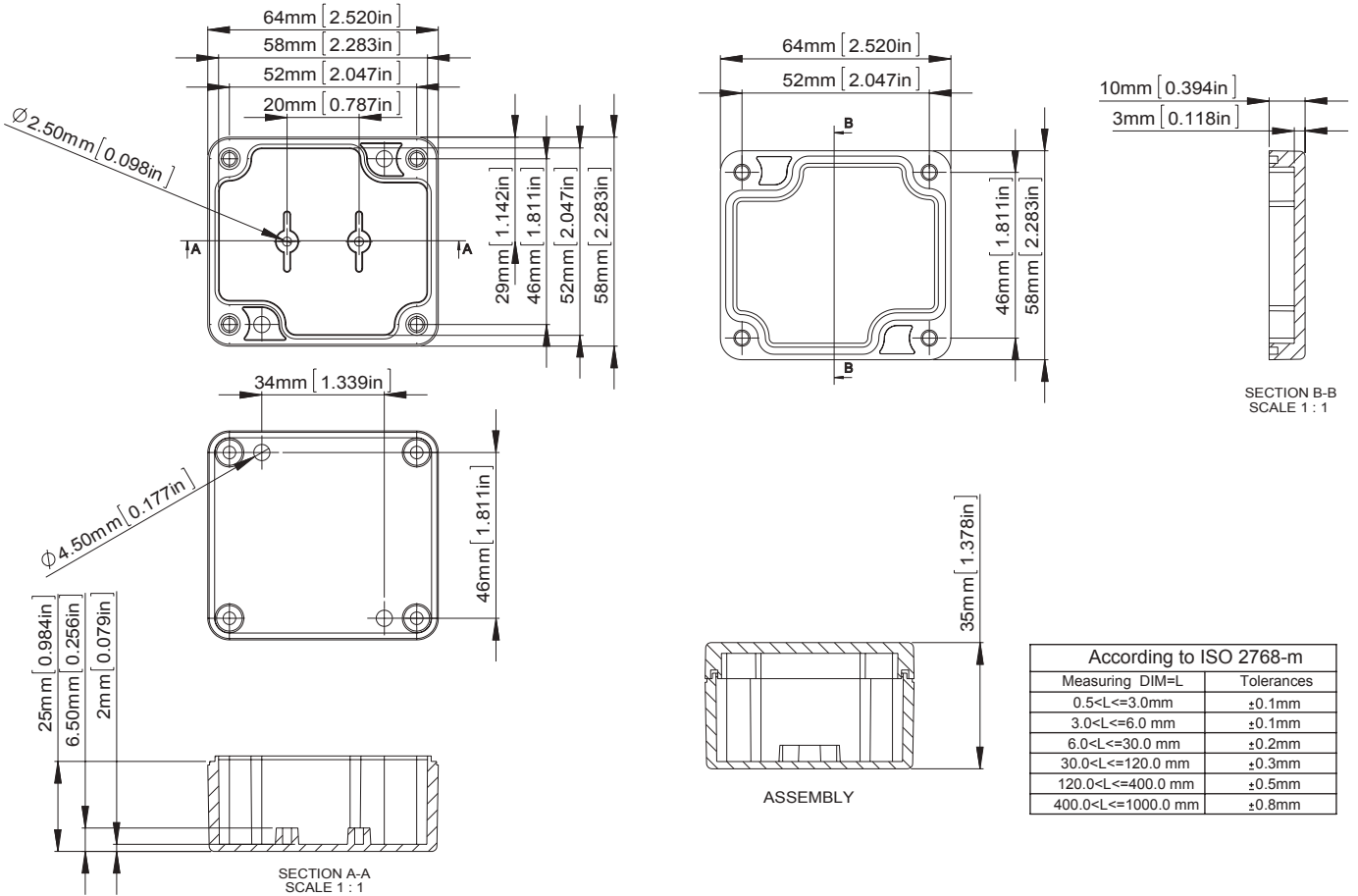
ITEM No.	COLOUR		ITEM No.	COLOUR	
	LID	BASE		LID	BASE
RND 455-00155	Light Grey		RND 455-00181	Clear	Light Grey
RND 455-00156	Light Grey		/	Clear	Light Grey
RND 455-00157	Light Grey		RND 455-00182	Clear	Light Grey
RND 455-00158	Light Grey		RND 455-00183	Clear	Light Grey
RND 455-00159	Light Grey		RND 455-00184	Clear	Light Grey
RND 455-00160	Light Grey		RND 455-00185	Clear	Light Grey
RND 455-00161	Light Grey		RND 455-00186	Clear	Light Grey
RND 455-00162	Light Grey		RND 455-00187	Clear	Light Grey
RND 455-00163	Light Grey		RND 455-00188	Clear	Light Grey
RND 455-00164	Light Grey		RND 455-00189	Clear	Light Grey
RND 455-00165	Light Grey		RND 455-00190	Clear	Light Grey
RND 455-00166	Light Grey		RND 455-00191	Clear	Light Grey
RND 455-00167	Light Grey		RND 455-00192	Clear	Light Grey
RND 455-00168	Light Grey		RND 455-00193	Clear	Light Grey
RND 455-00169	Light Grey		RND 455-00194	Clear	Light Grey
RND 455-00170	Light Grey		RND 455-00195	Clear	Light Grey
RND 455-00171	Light Grey		RND 455-00196	Clear	Light Grey
RND 455-00172	Light Grey		RND 455-00197	Clear	Light Grey
RND 455-00173	Light Grey		RND 455-00198	Clear	Light Grey
RND 455-00174	Light Grey		RND 455-00199	Clear	Light Grey
RND 455-00175	Light Grey		RND 455-00200	Clear	Light Grey
RND 455-00176	Light Grey		RND 455-00201	Clear	Light Grey
RND 455-00177	Light Grey		RND 455-00202	Clear	Light Grey
RND 455-00178	Light Grey		RND 455-00203	Clear	Light Grey
RND 455-00179	Light Grey		RND 455-00204	Clear	Light Grey
RND 455-00180	Light Grey		RND 455-00205	Clear	Light Grey

MATERIAL: ABS

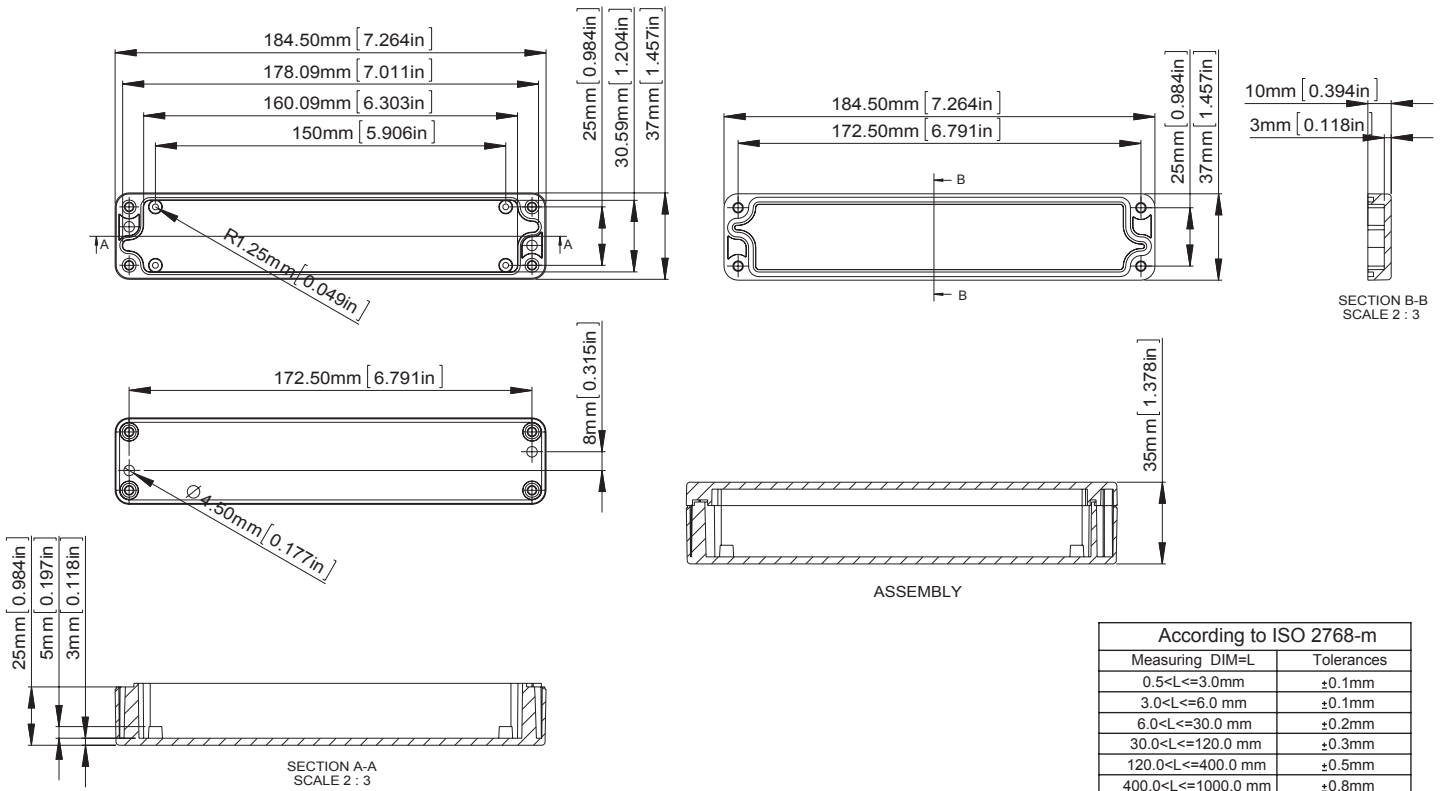
ITEM No.	COLOUR		EXTERNAL DIMENSION(mm)
	LID	BASE	
RND 455-00206	Dark Grey		64 x 58 x 35
RND 455-00207	Dark Grey		184 x 36 x 35
RND 455-00208	Dark Grey		115 x 65 x 40
RND 455-00209	Dark Grey		115 x 65 x 55
RND 455-00210	Dark Grey		115 x 90 x 55
RND 455-00211	Dark Grey		171 x 121 x 55
RND 455-00212	Dark Grey		222 x 146 x 55
RND 455-00213	Dark Grey		115 x 90 x 80
RND 455-00214	Dark Grey		171 x 121 x 80
RND 455-00215	Dark Grey		195 x 80 x 55
RND 455-00216	Dark Grey		222 x 146 x 75
RND 455-00222	Dark Grey		265 x 185 x 95
RND 455-00217	Dark Grey		52 x 50 x 35
RND 455-00218	Dark Grey		82 x 80 x 55
RND 455-00219	Dark Grey		160 x 80 x 55
RND 455-00220	Dark Grey		160 x 80 x 85
RND 455-00221	Dark Grey		200 x 120 x 75
RND 455-00223	Dark Grey		120 x 120 x 60
RND 455-00224	Dark Grey		120 x 120 x 90
RND 455-00225	Dark Grey		160 x 160 x 60
RND 455-00226	Dark Grey		160 x 160 x 90

▶ Lid fixing screws are M4 stainless steel (non-magnetic) into threaded brass inserts.

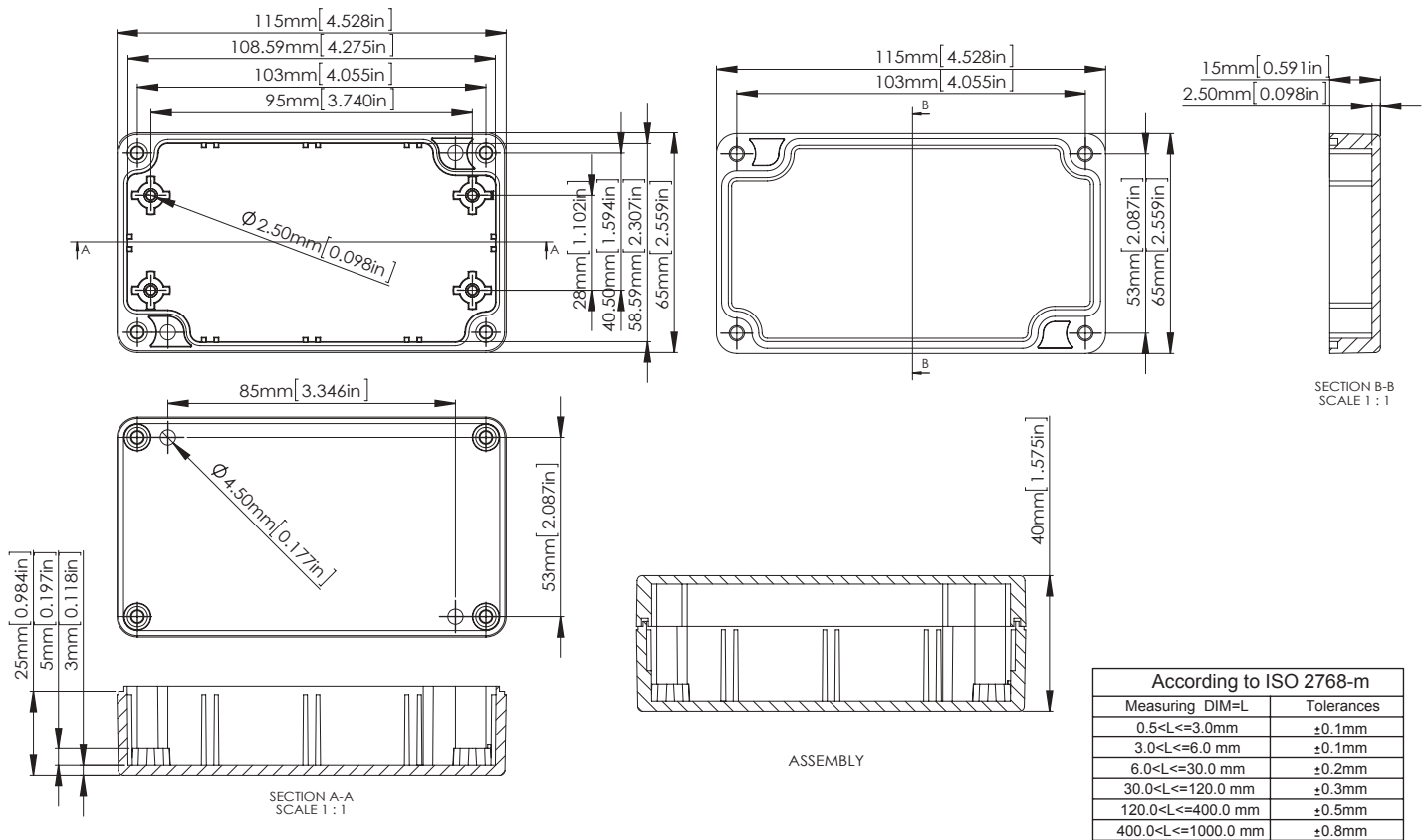
RND 455-00155 / RND 455-00181 / RND 455-00206



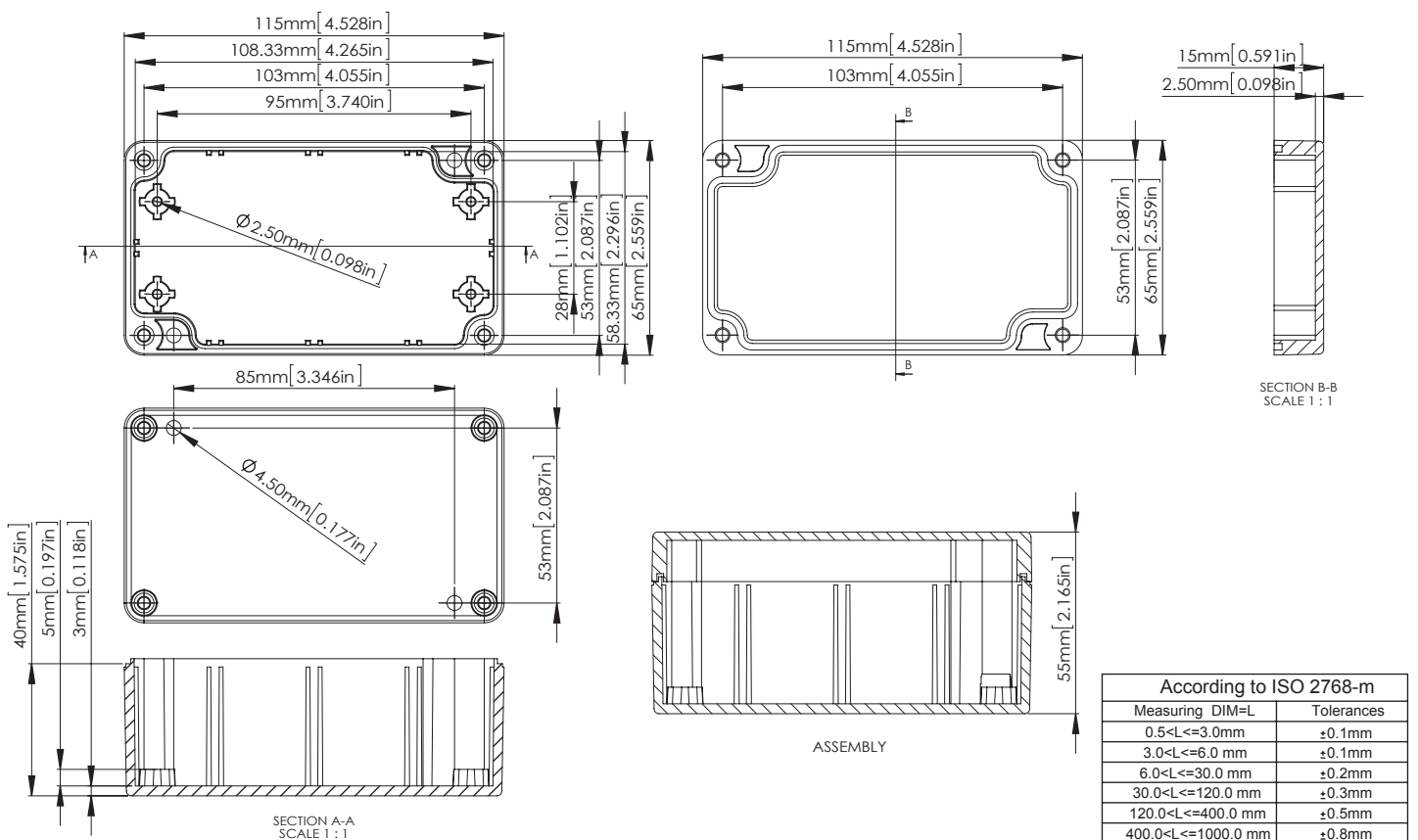
RND 455-00156 / RND 455-00207



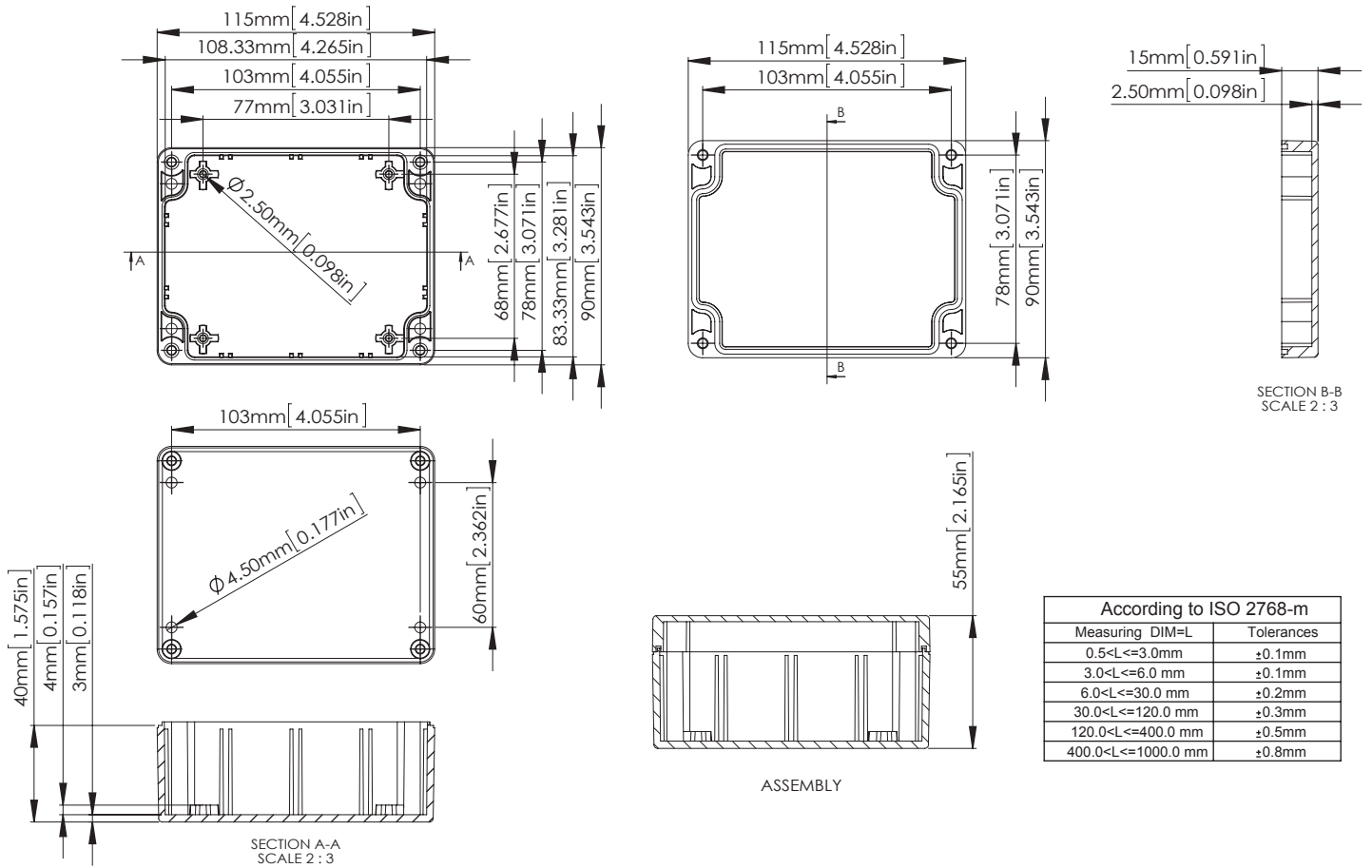
RND 455-00157 / RND 455-00182 / RND 455-00208



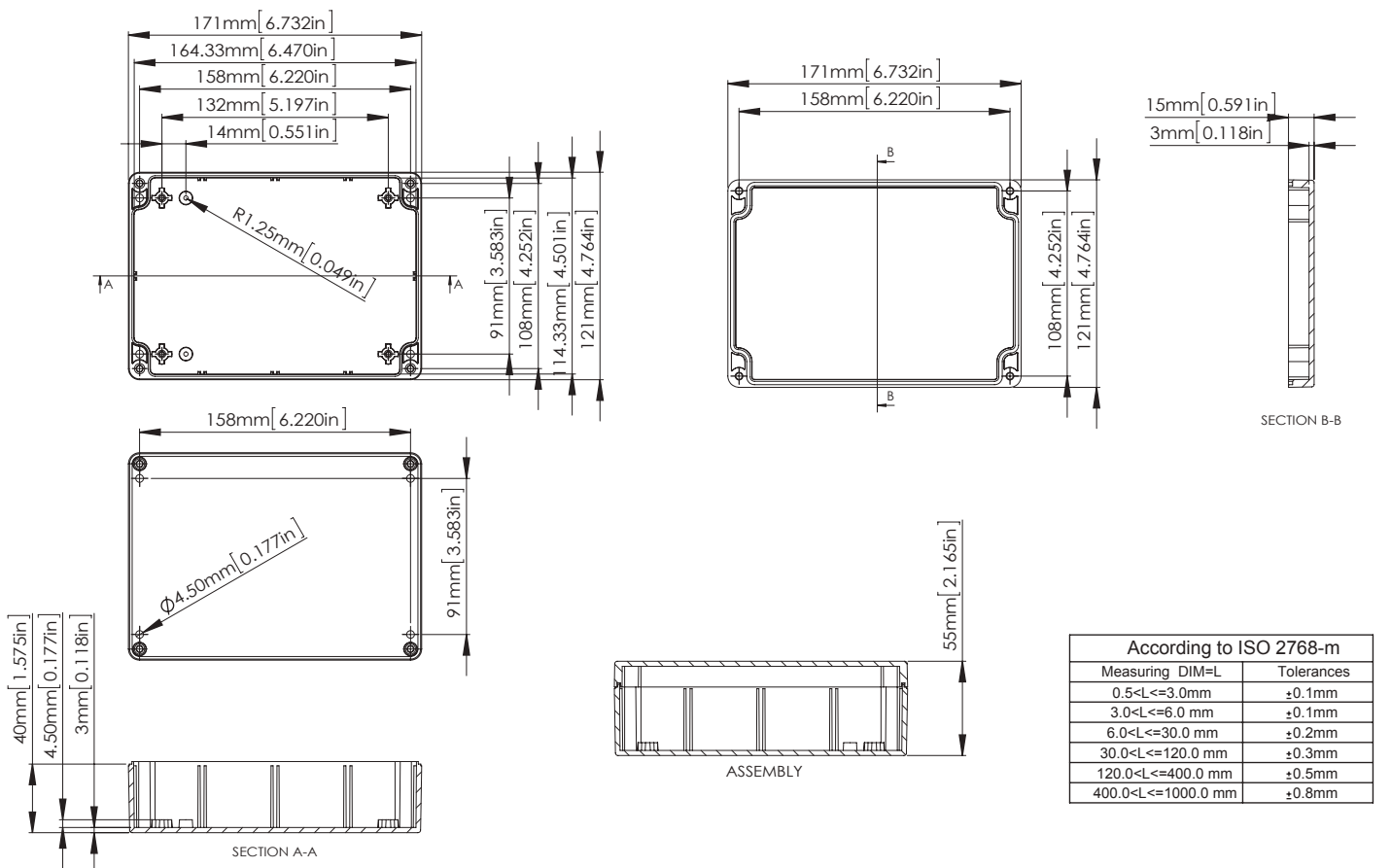
RND 455-00158 / RND 455-00183 / RND 455-00209



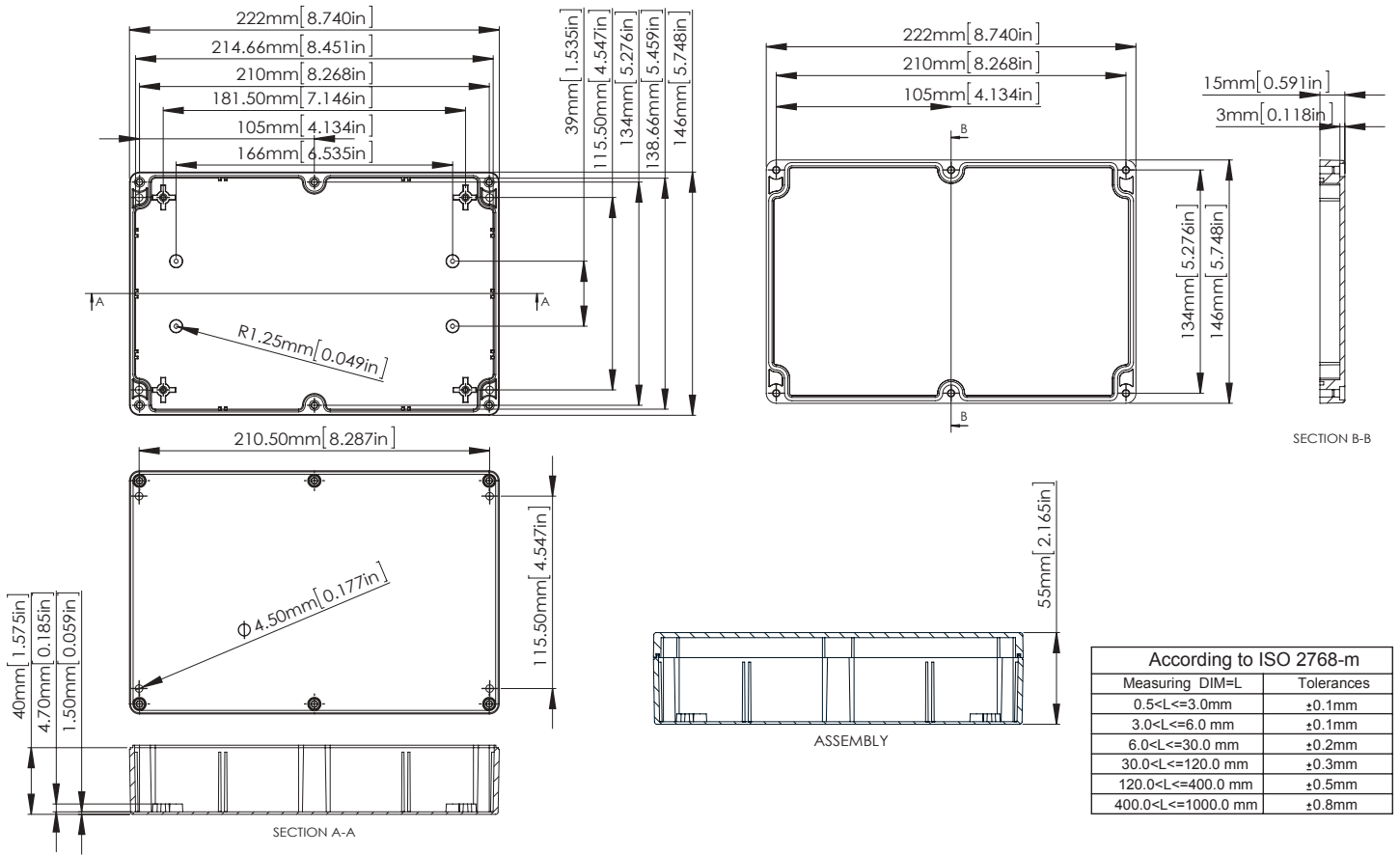
RND 455-00159 / RND 455-00184 / RND 455-00210



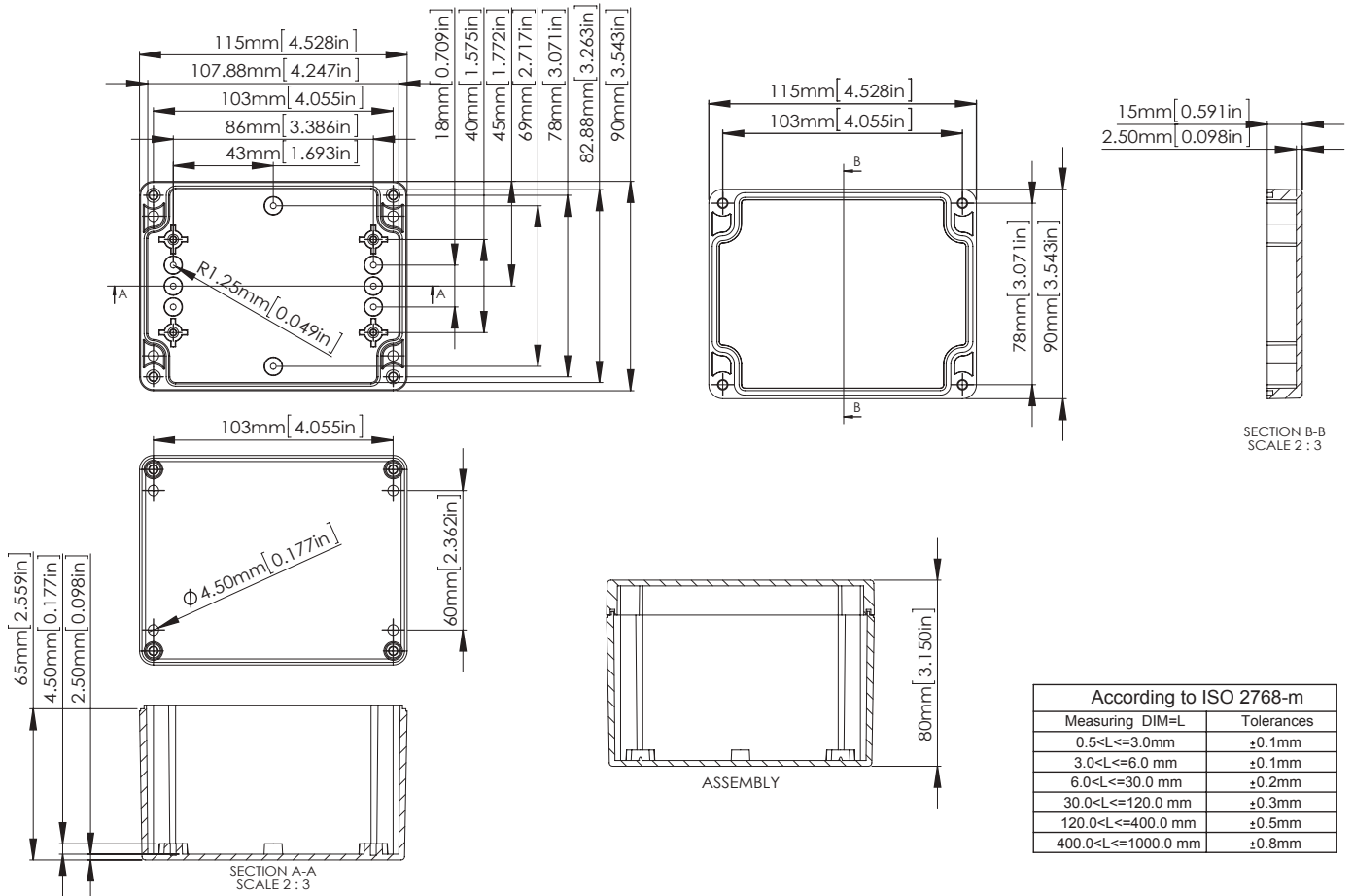
RND 455-00160 / RND 455-00185 / RND 455-00211



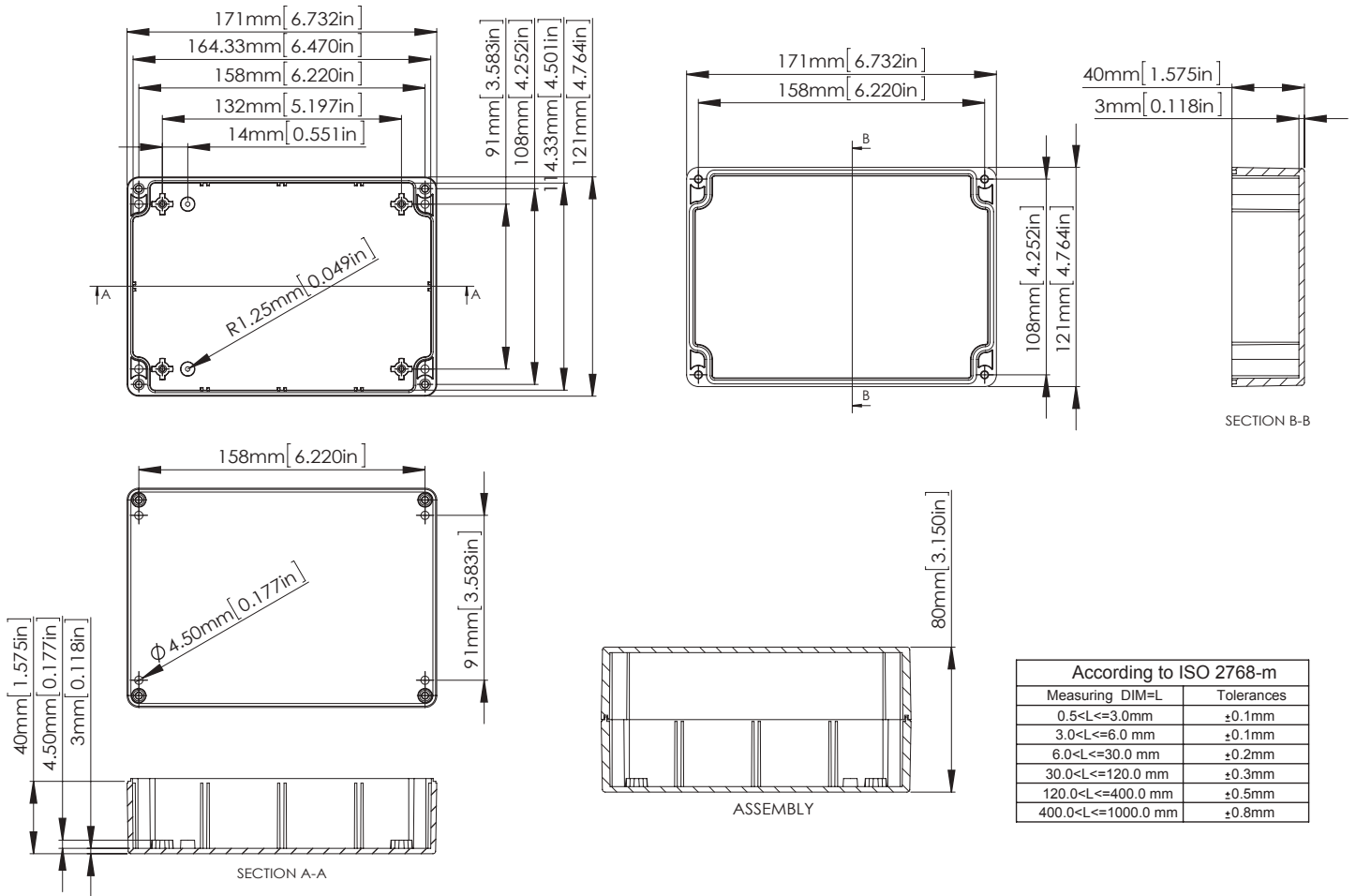
RND 455-00161 / RND 455-00186 / RND 455-00212



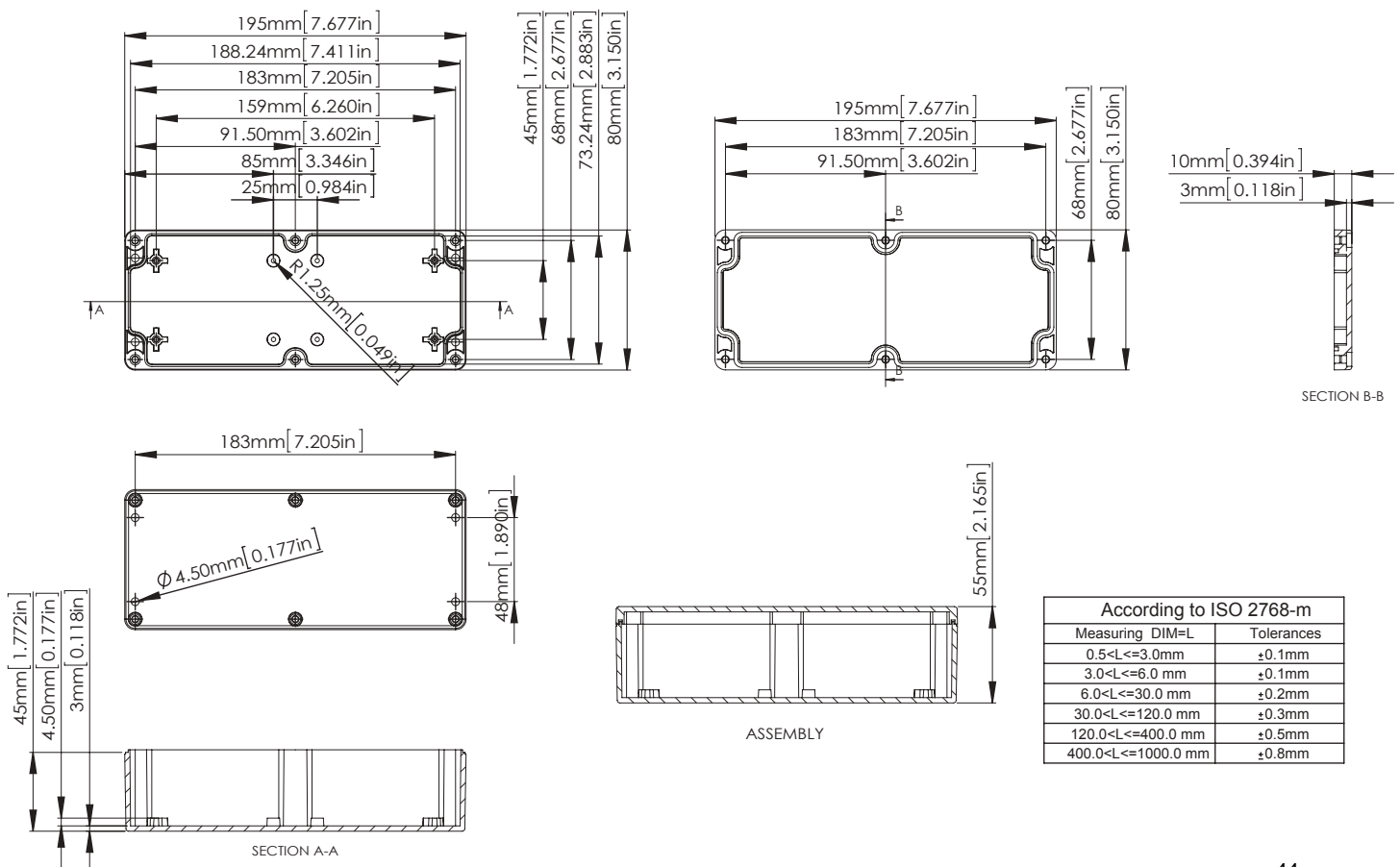
RND 455-00162 / RND 455-00187 / RND 455-00213



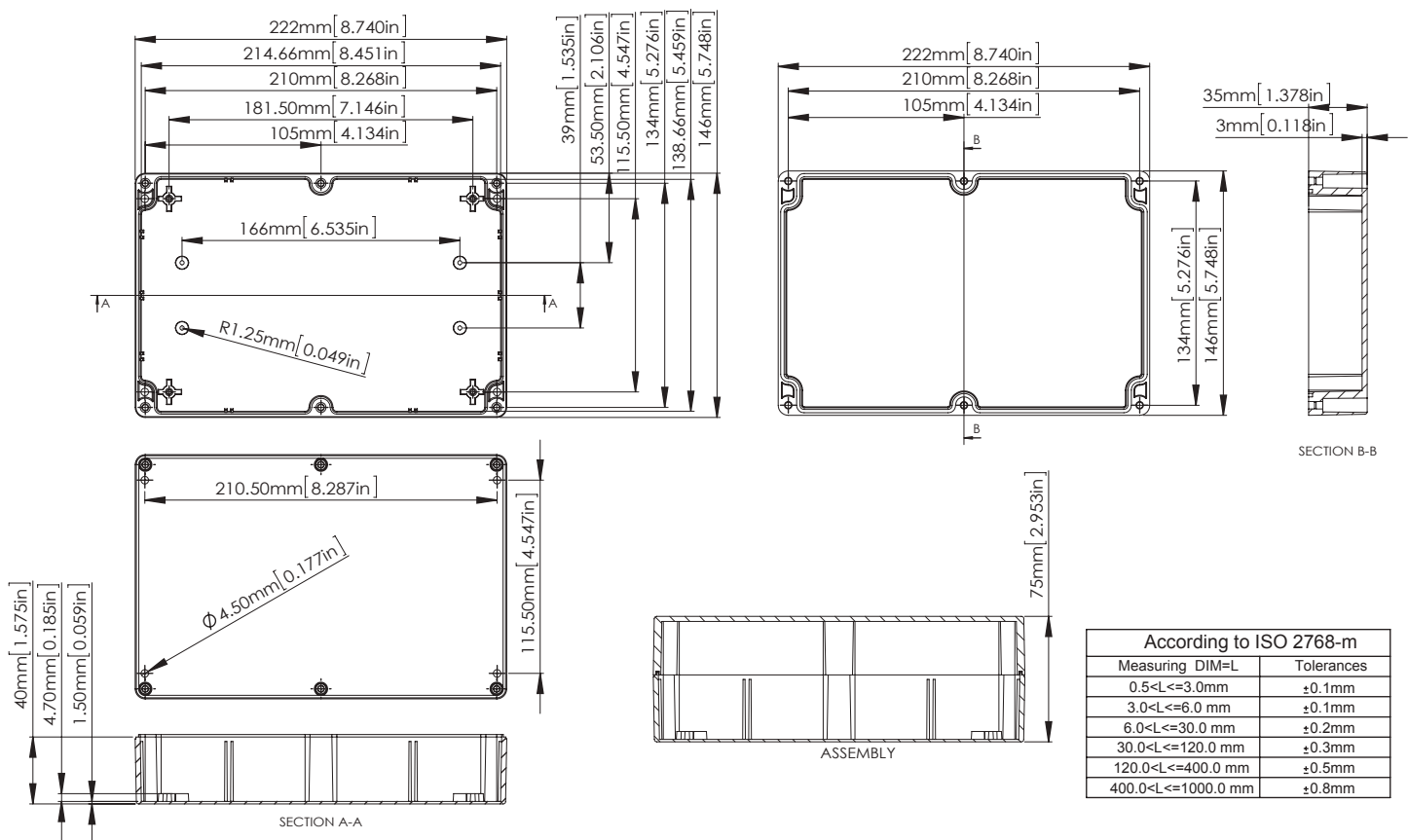
RND 455-00163 / RND 455-00188 / RND 455-00214



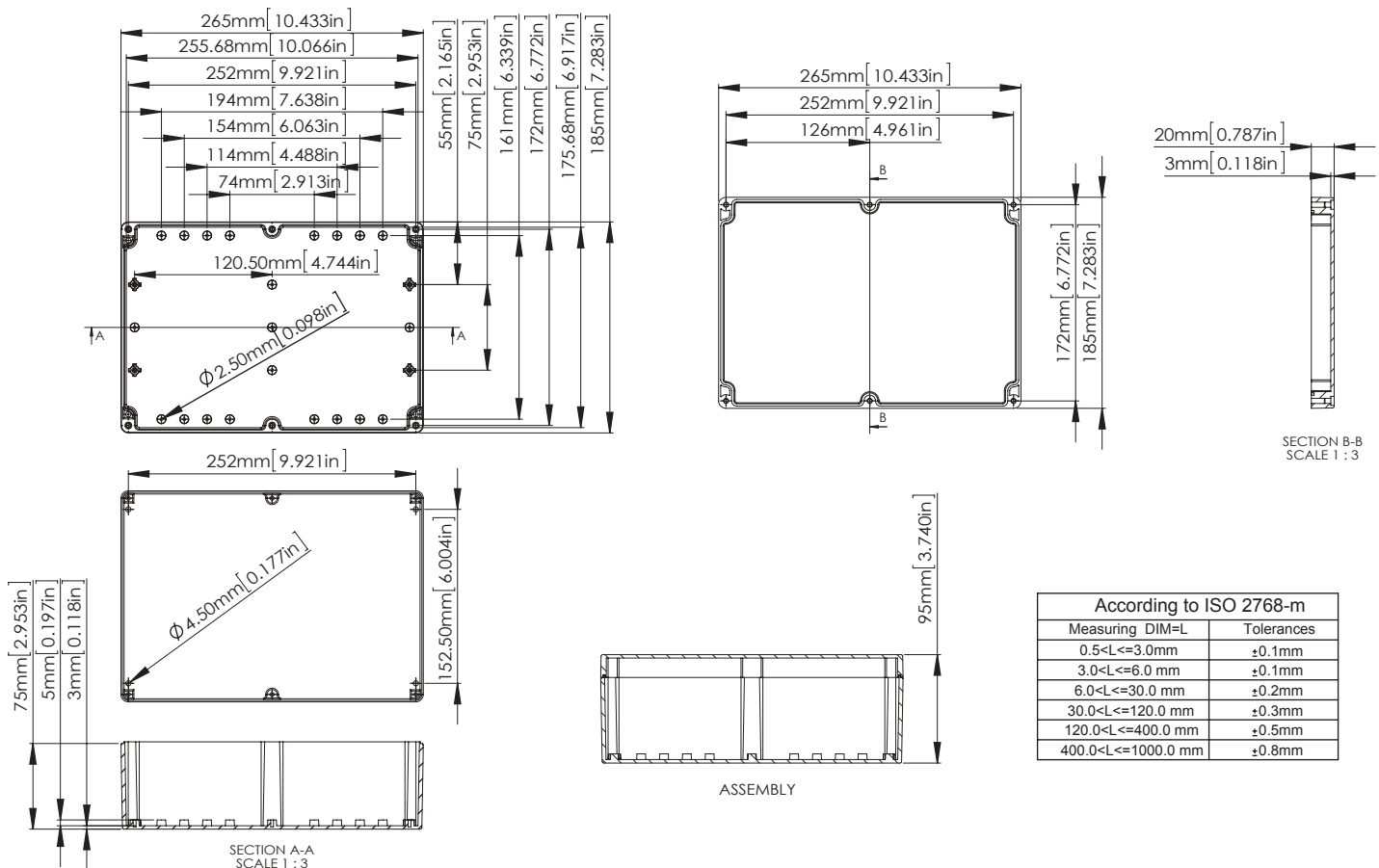
RND 455-00164 / RND 455-00189 / RND 455-00215



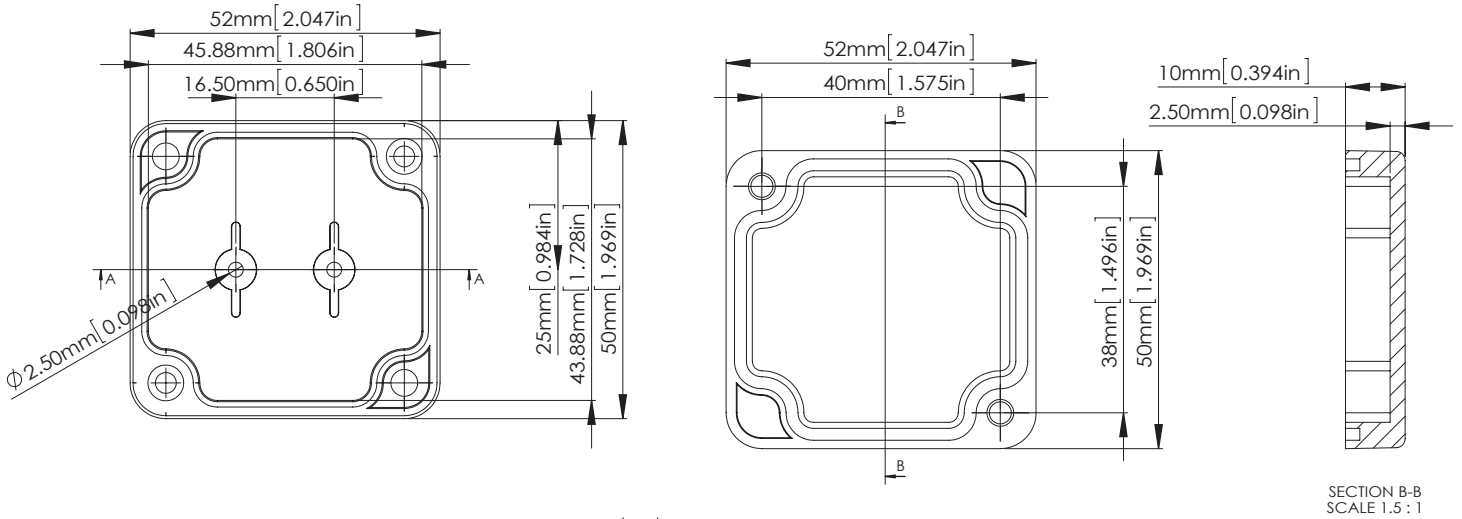
RND 455-00165 / RND 455-00190 / RND 455-00216



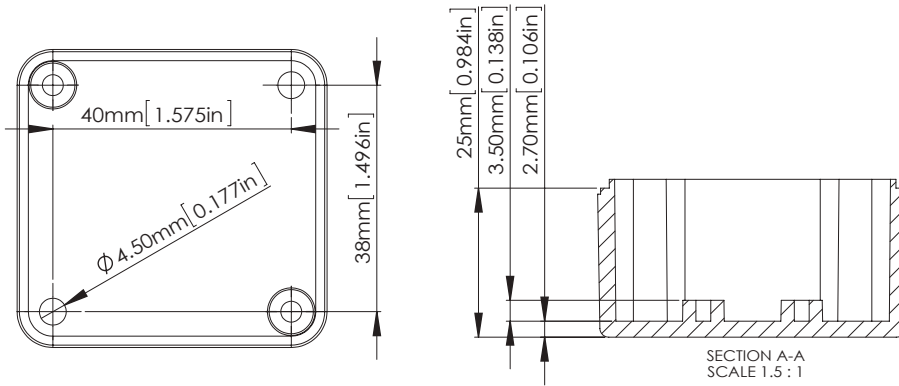
RND 455-00166 / RND 455-00191 / RND 455-00222



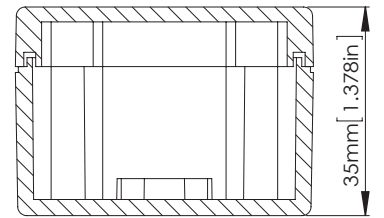
RND 455-00167 / RND 455-00192 / RND 455-00217



SECTION B-B
SCALE 1.5 : 1



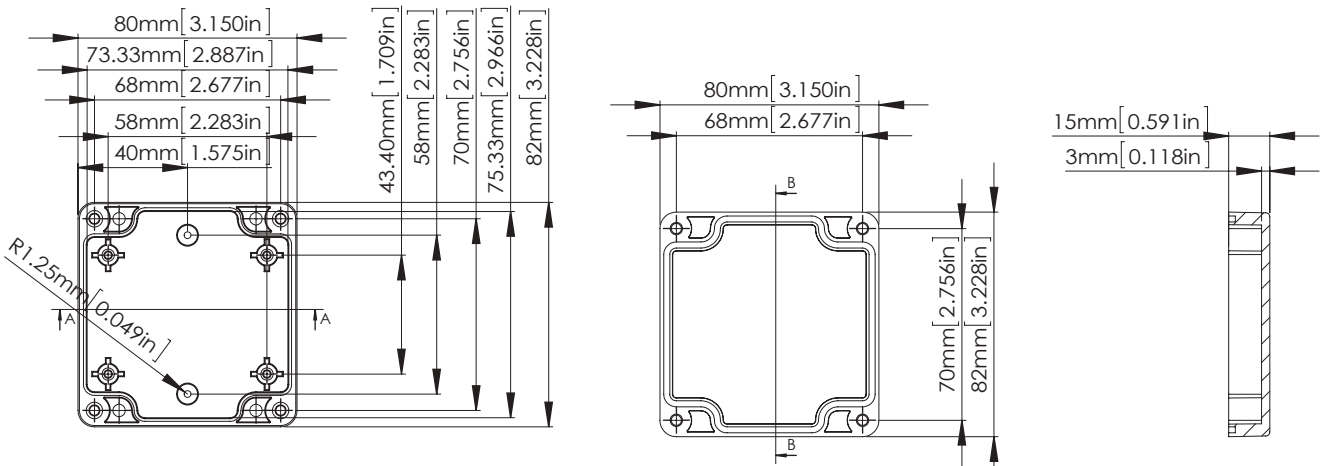
SECTION A-A
SCALE 1.5 : 1



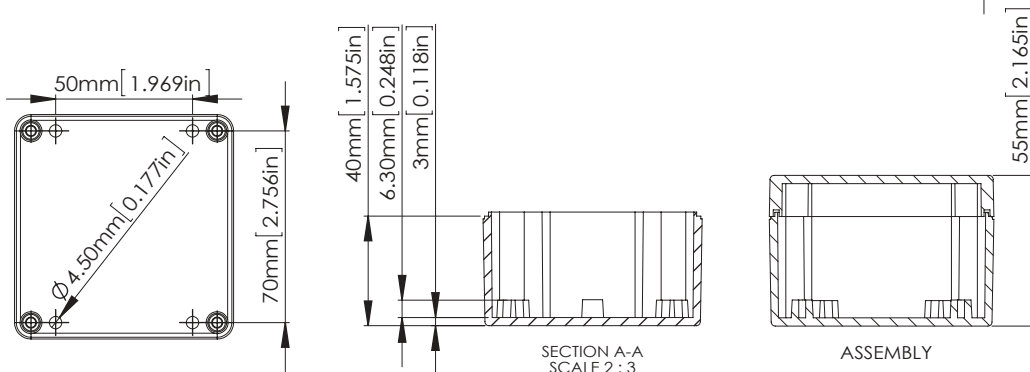
ASSEMBLY

According to ISO 2768-m	
Measuring DIM=L	Tolerances
0.5<L<=3.0mm	±0.1mm
3.0<L<=6.0 mm	±0.1mm
6.0<L<=30.0 mm	±0.2mm
30.0<L<=120.0 mm	±0.3mm
120.0<L<=400.0 mm	±0.5mm
400.0<L<=1000.0 mm	±0.8mm

RND 455-00168 / RND 455-00193 / RND 455-00218



SECTION B-B
SCALE 2 : 3

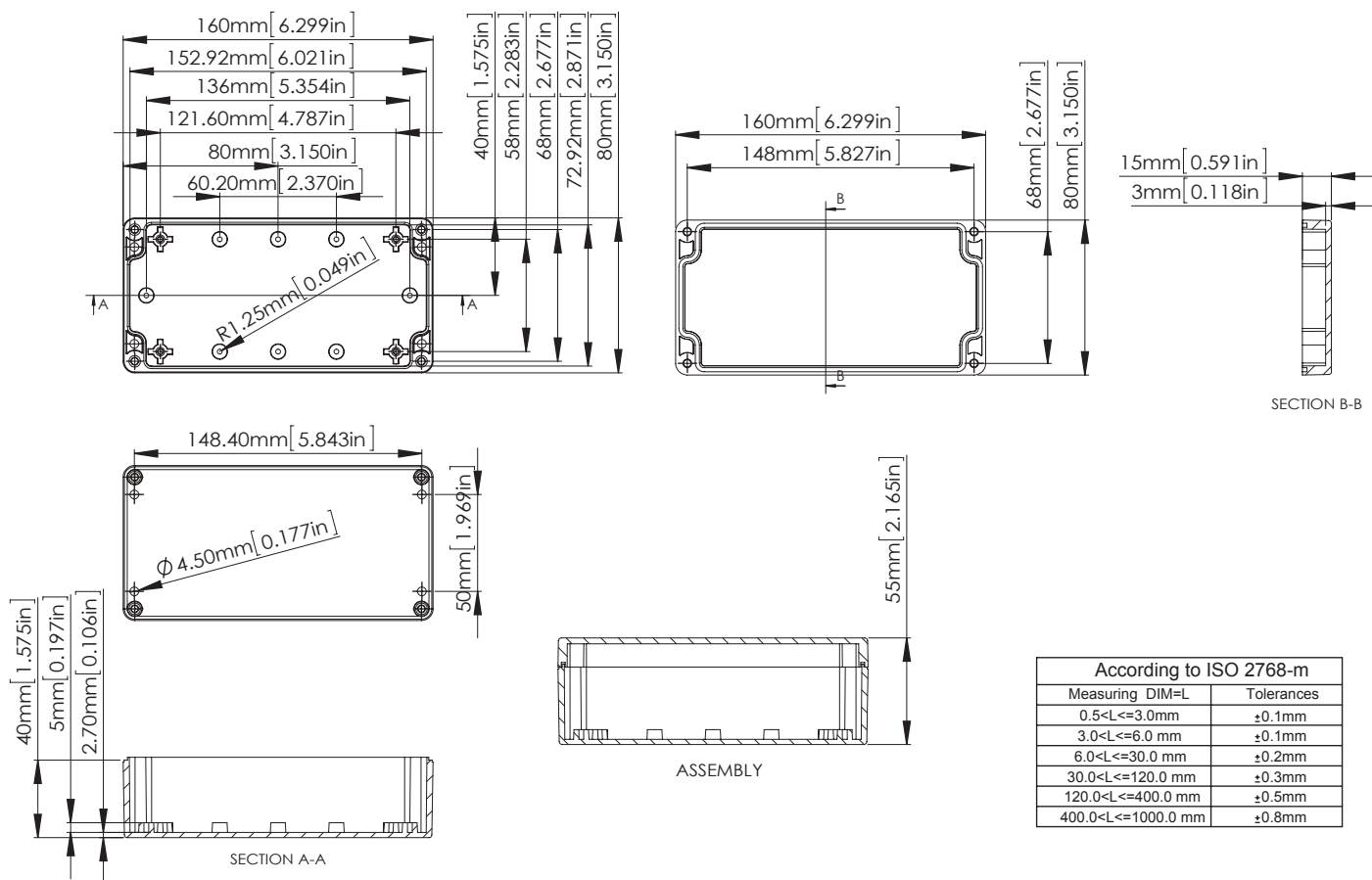


SECTION A-A
SCALE 2 : 3

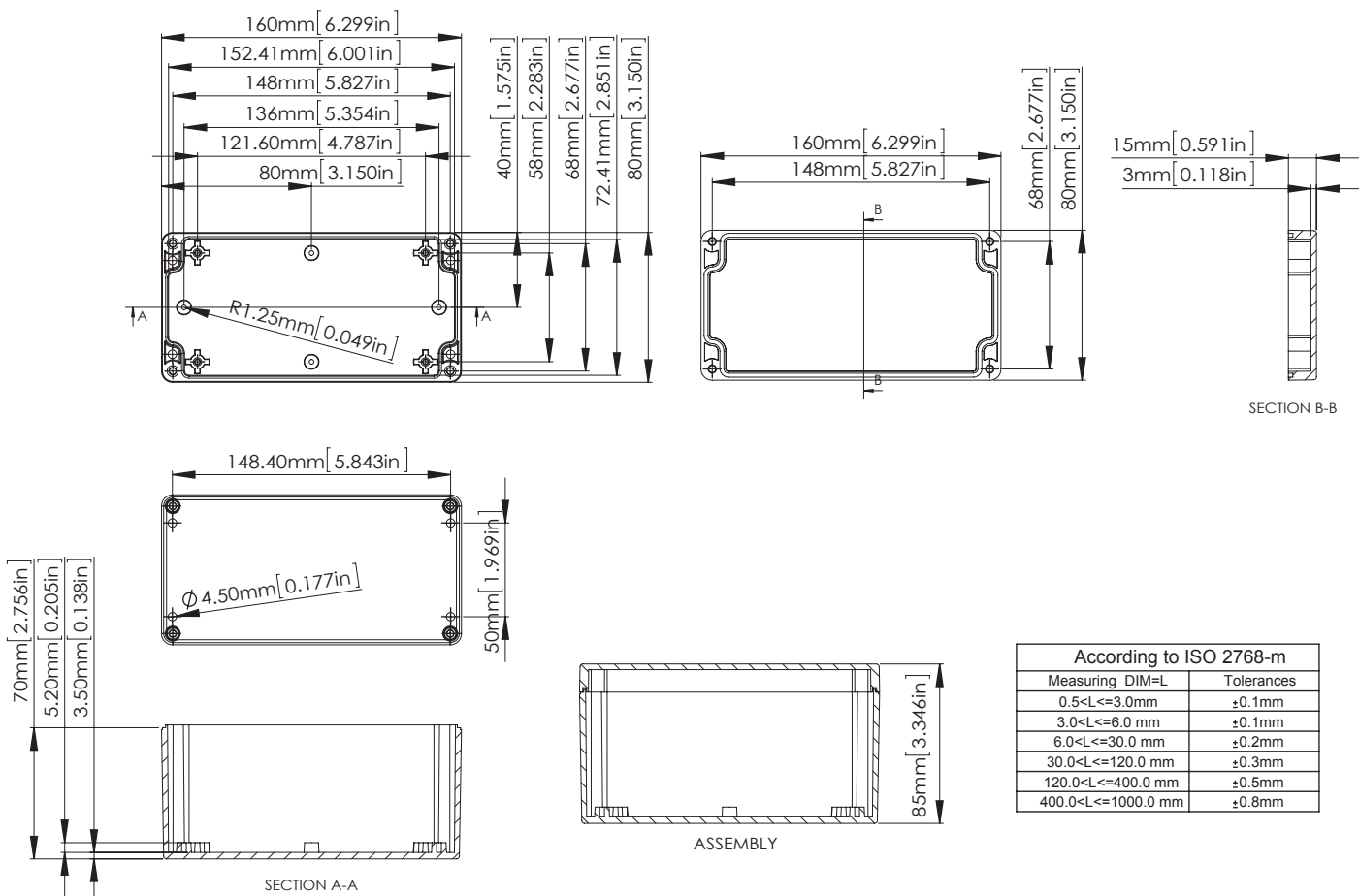
ASSEMBLY

According to ISO 2768-m	
Measuring DIM=L	Tolerances
0.5<L<=3.0mm	±0.1mm
3.0<L<=6.0 mm	±0.1mm
6.0<L<=30.0 mm	±0.2mm
30.0<L<=120.0 mm	±0.3mm
120.0<L<=400.0 mm	±0.5mm
400.0<L<=1000.0 mm	±0.8mm

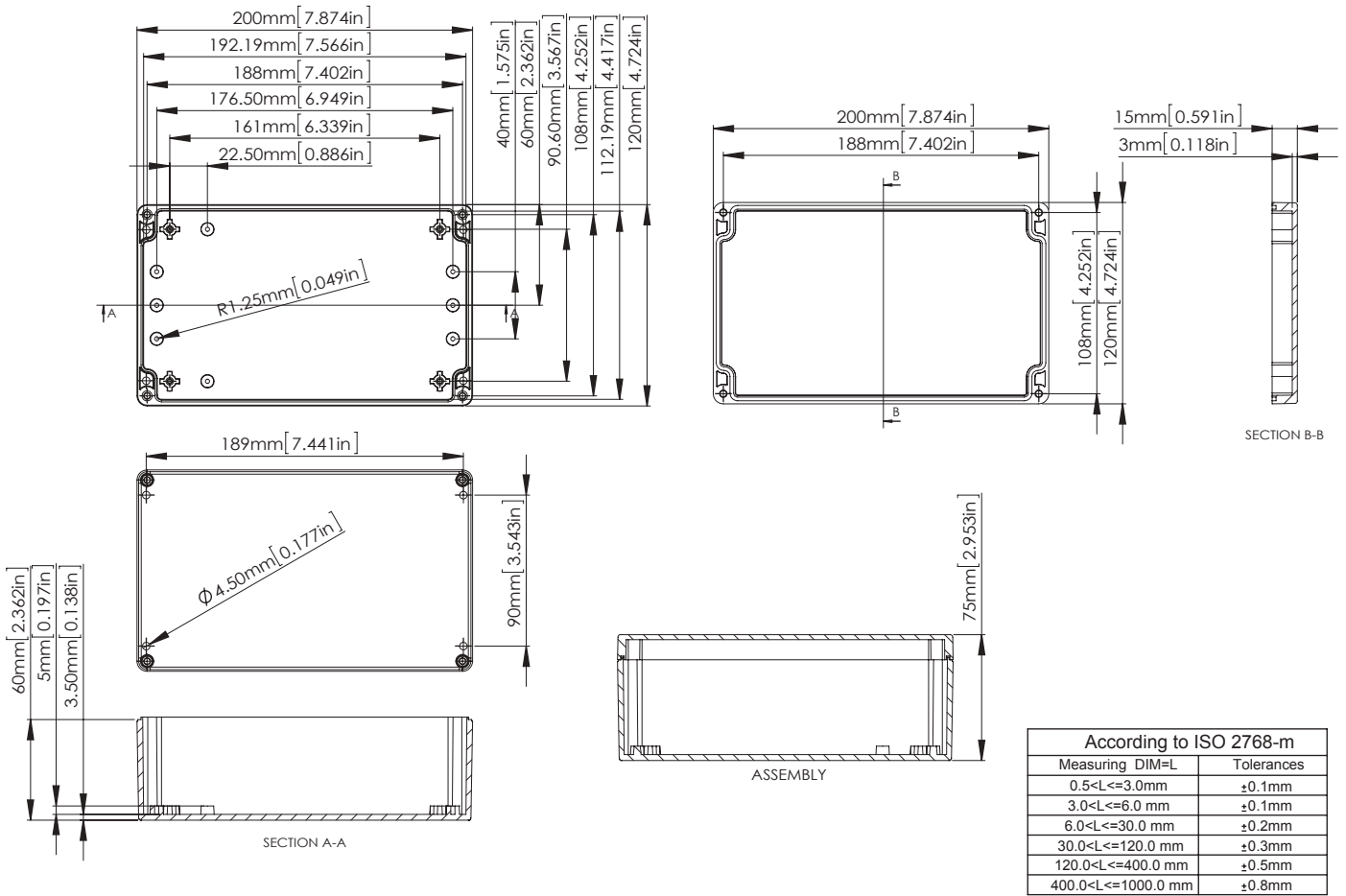
RND 455-00169 / RND 455-00194 / RND 455-00219



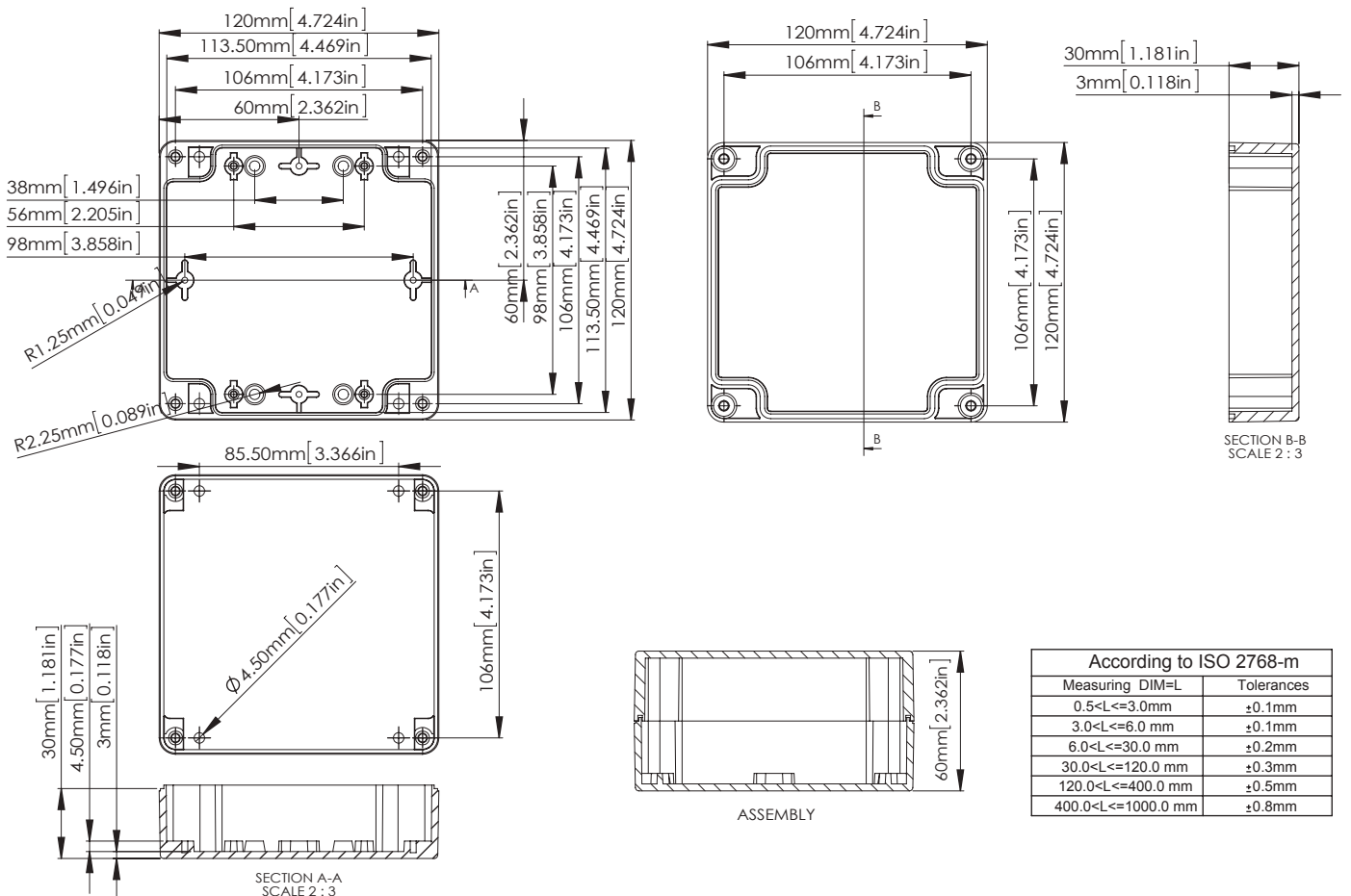
RND 455-00170 / RND 455-00195 / RND 455-00220



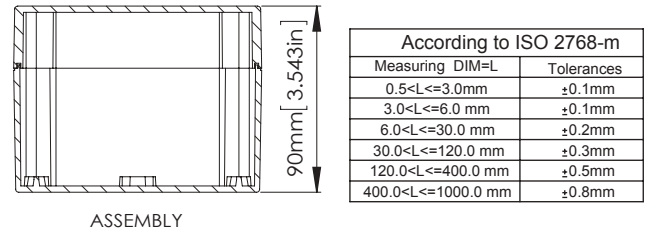
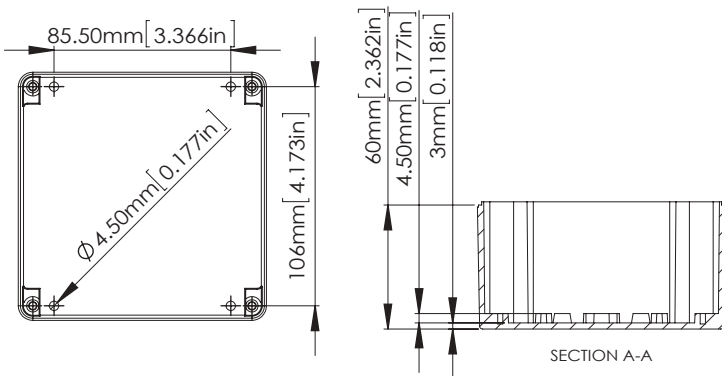
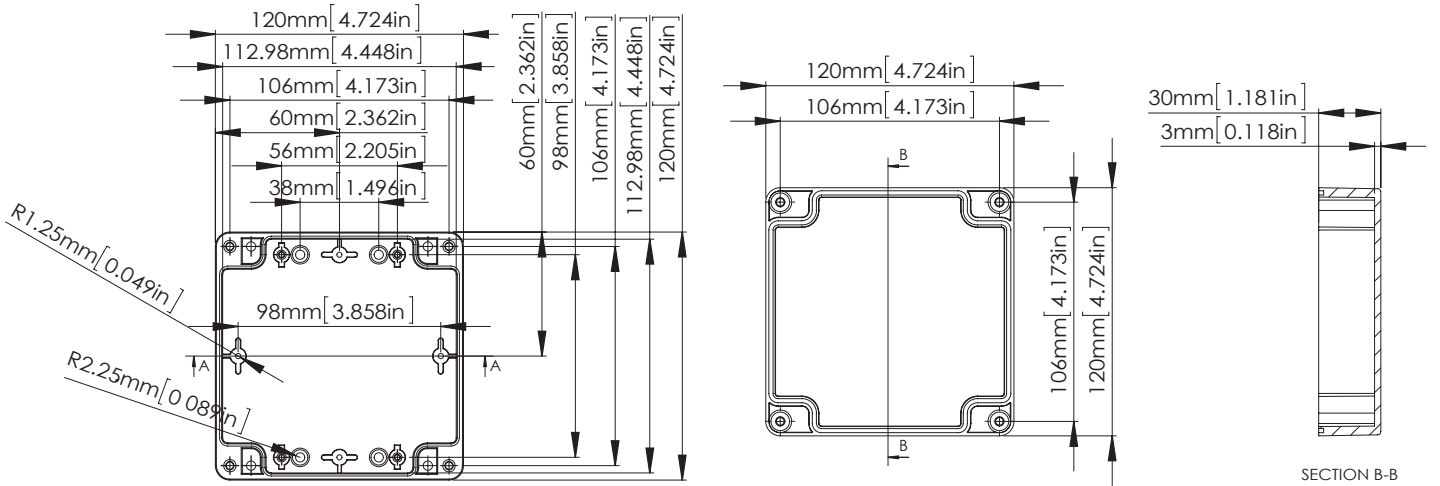
RND 455-00171 / RND 455-00196 / RND 455-00221



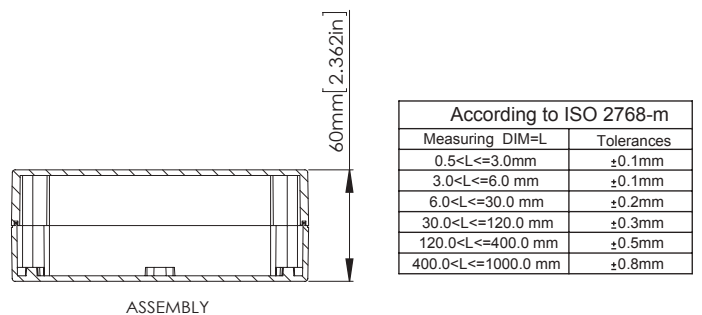
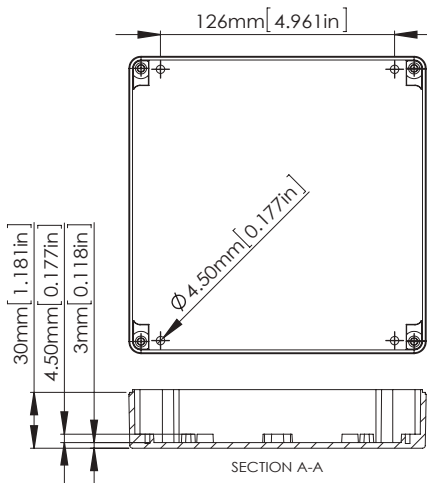
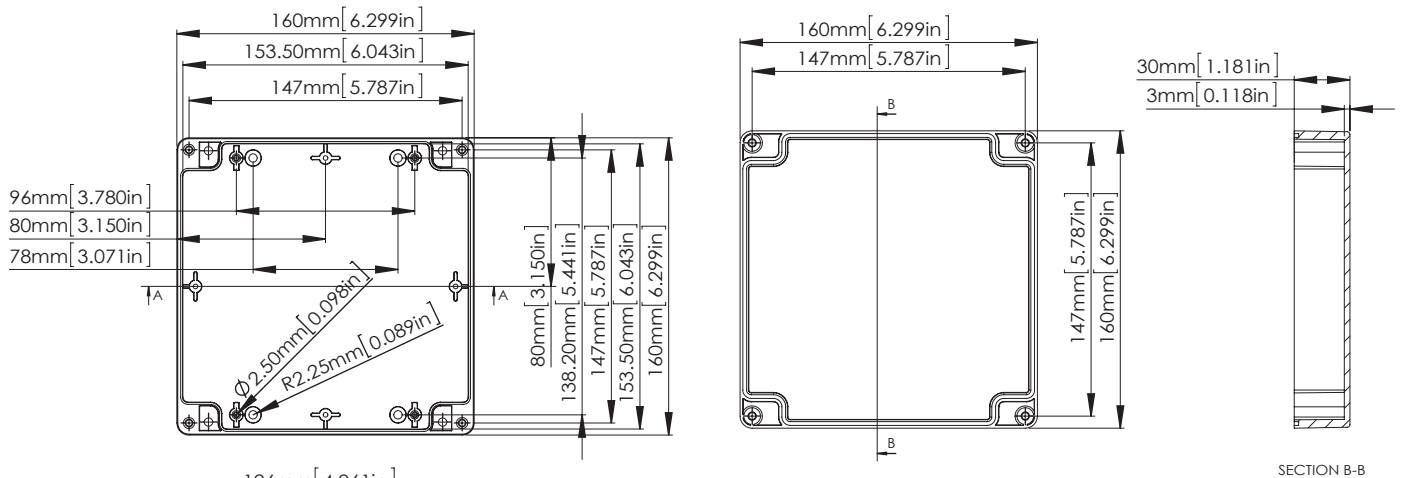
RND 455-00172 / RND 455-00197 / RND 455-00223



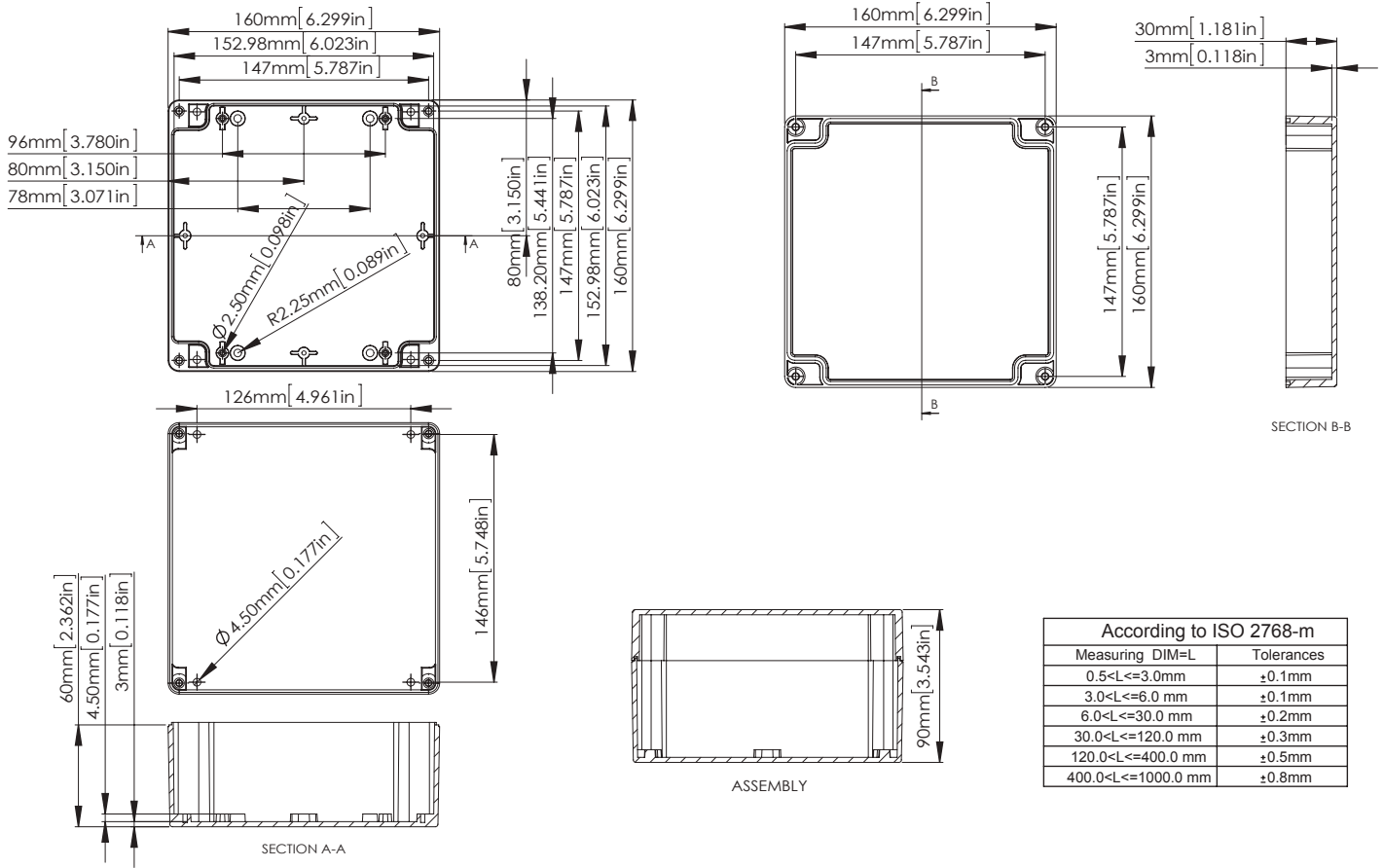
RND 455-00173 / RND 455-00198 / RND 455-00224



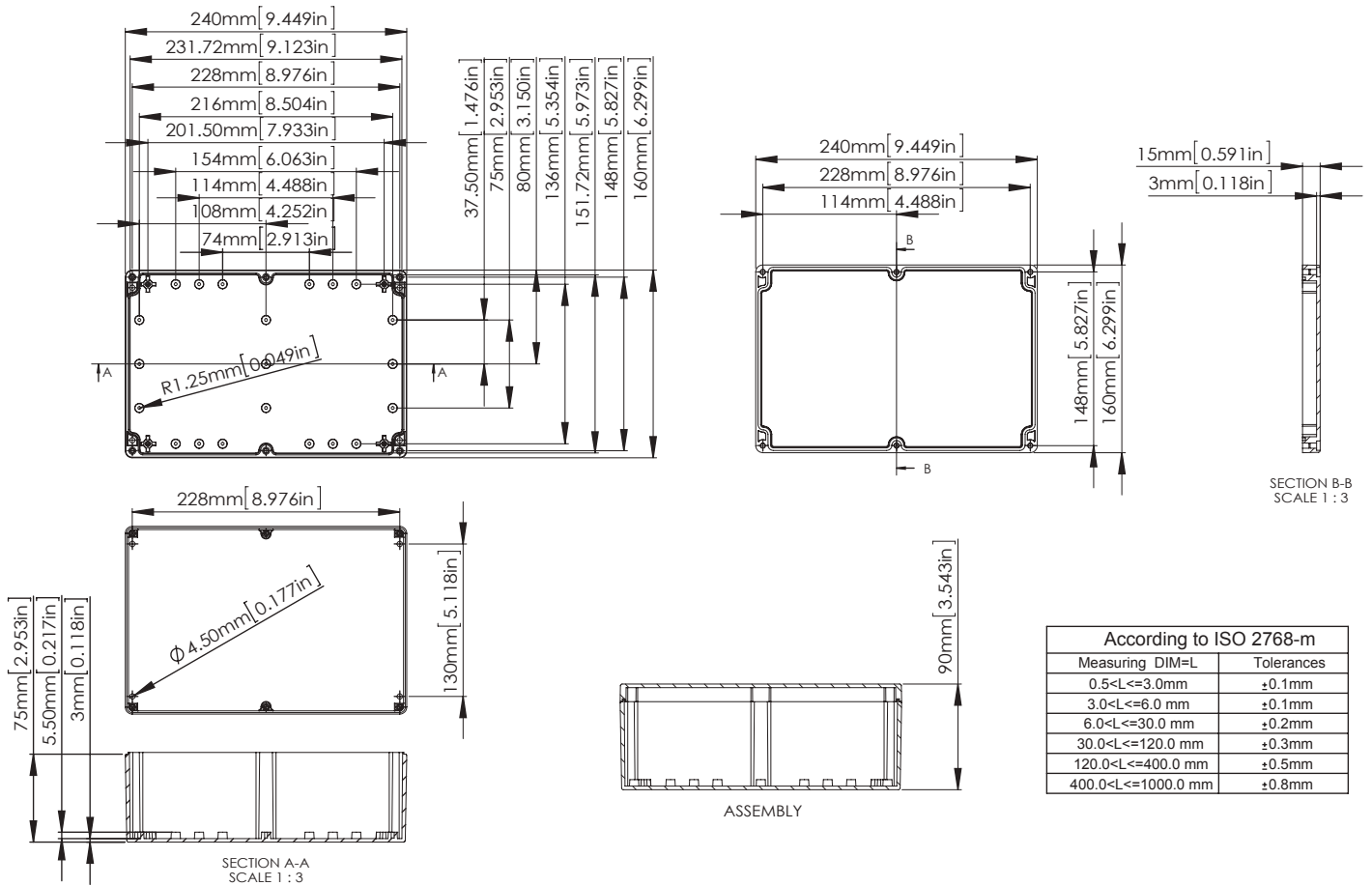
RND 455-00174 / RND 455-00199 / RND 455-00225



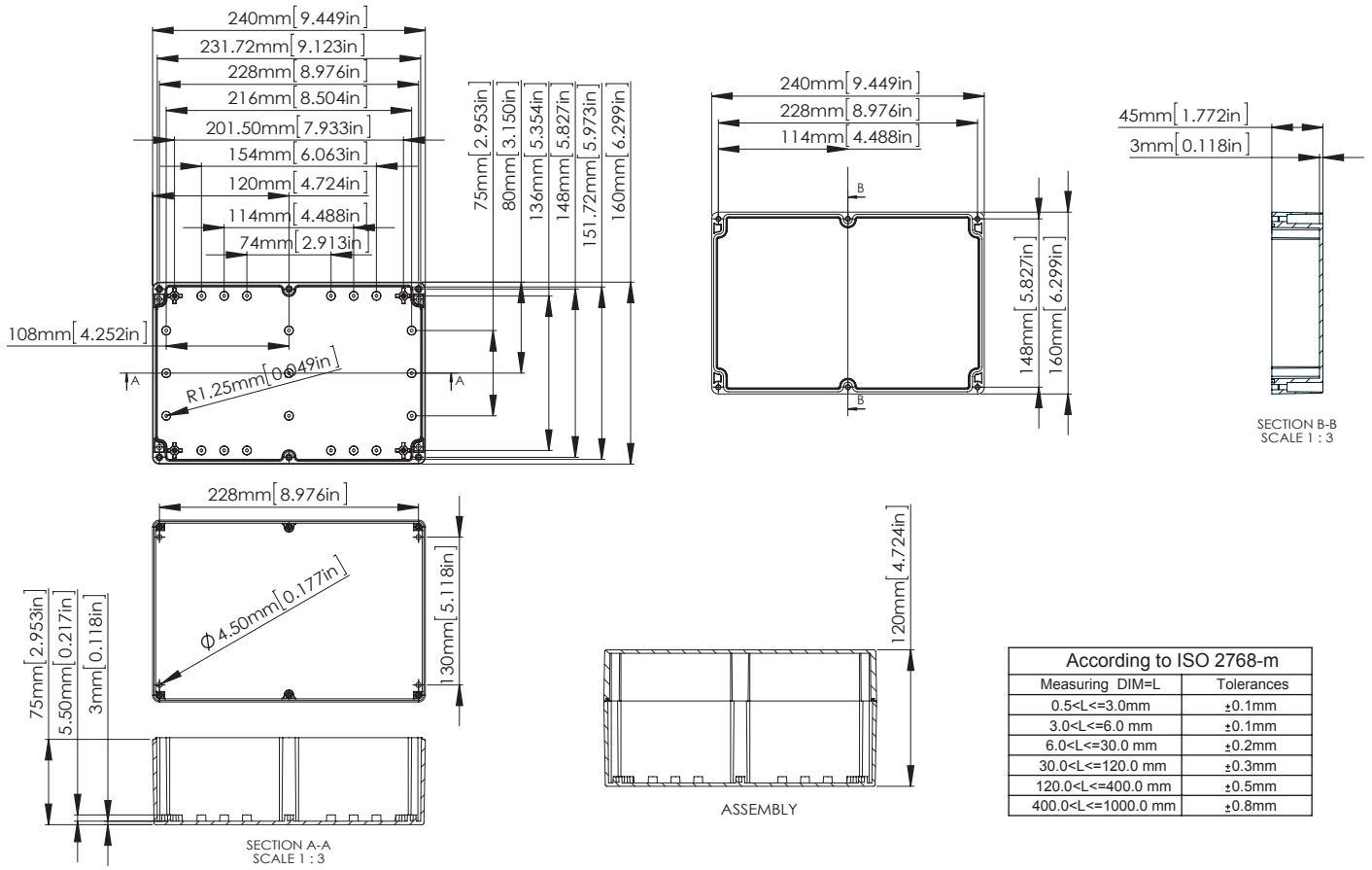
RND 455-00175/RND 455-00200/RND 455-00226



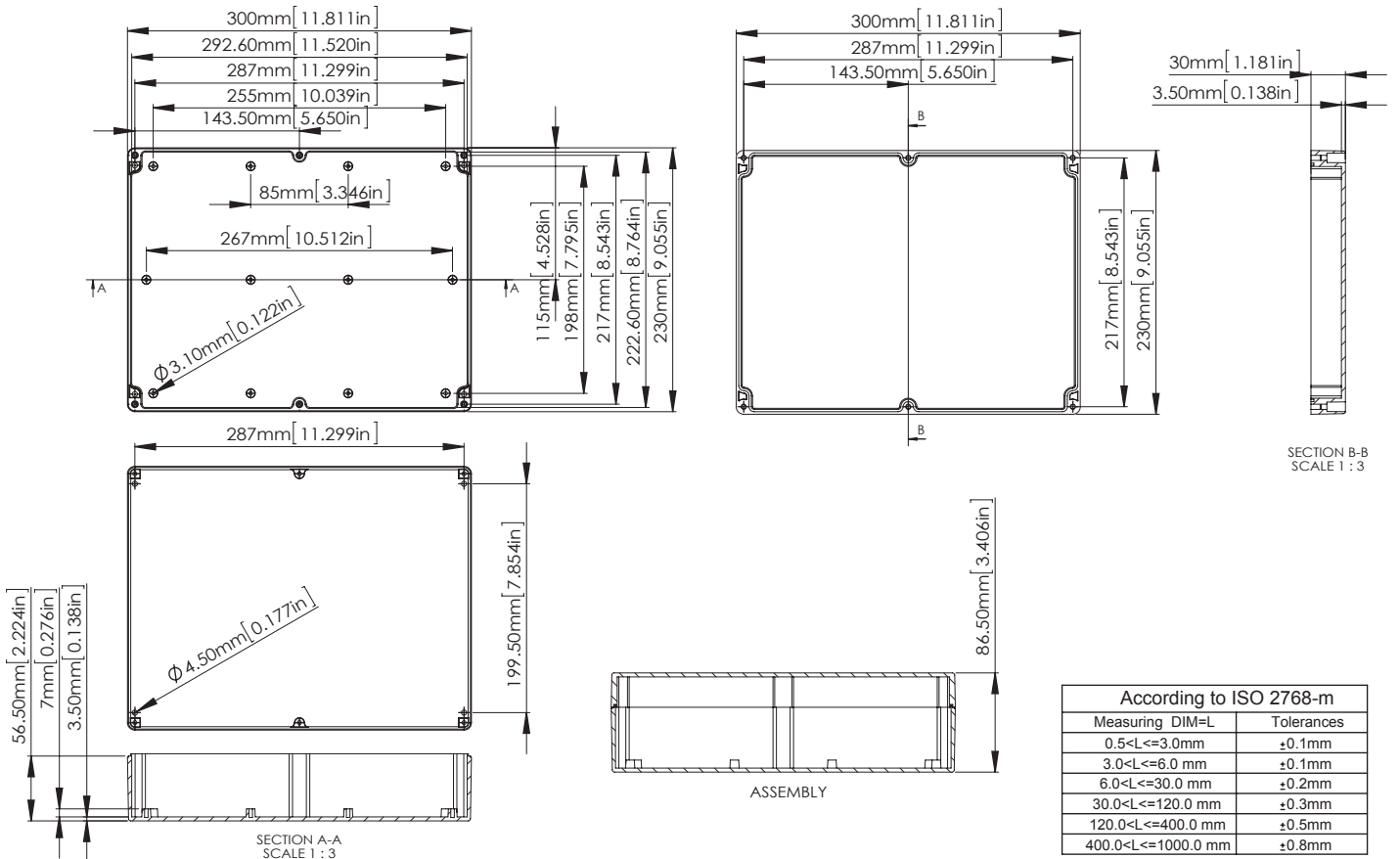
RND 455-00176/RND 455-00201



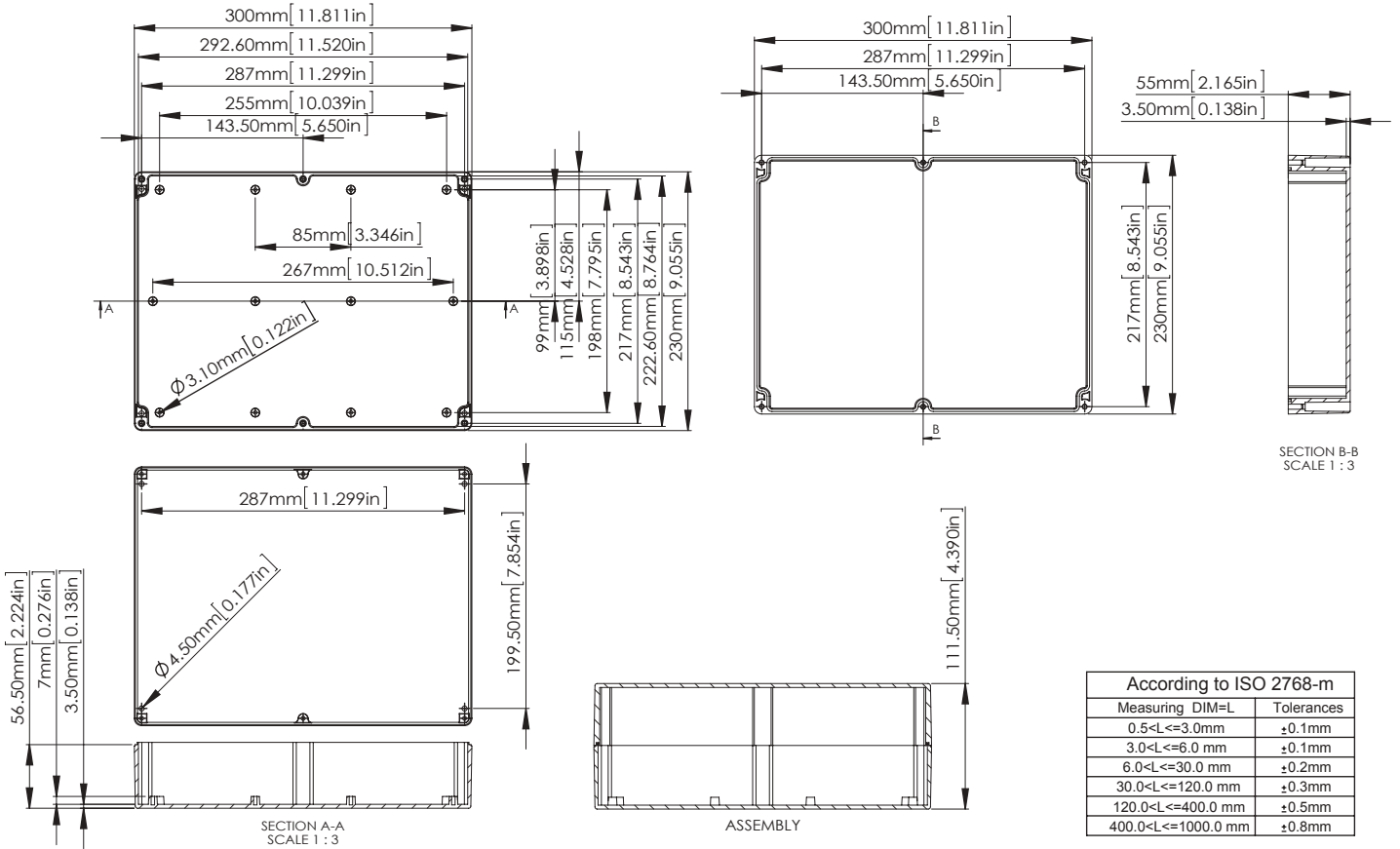
RND 455-00177/RND 455-00202



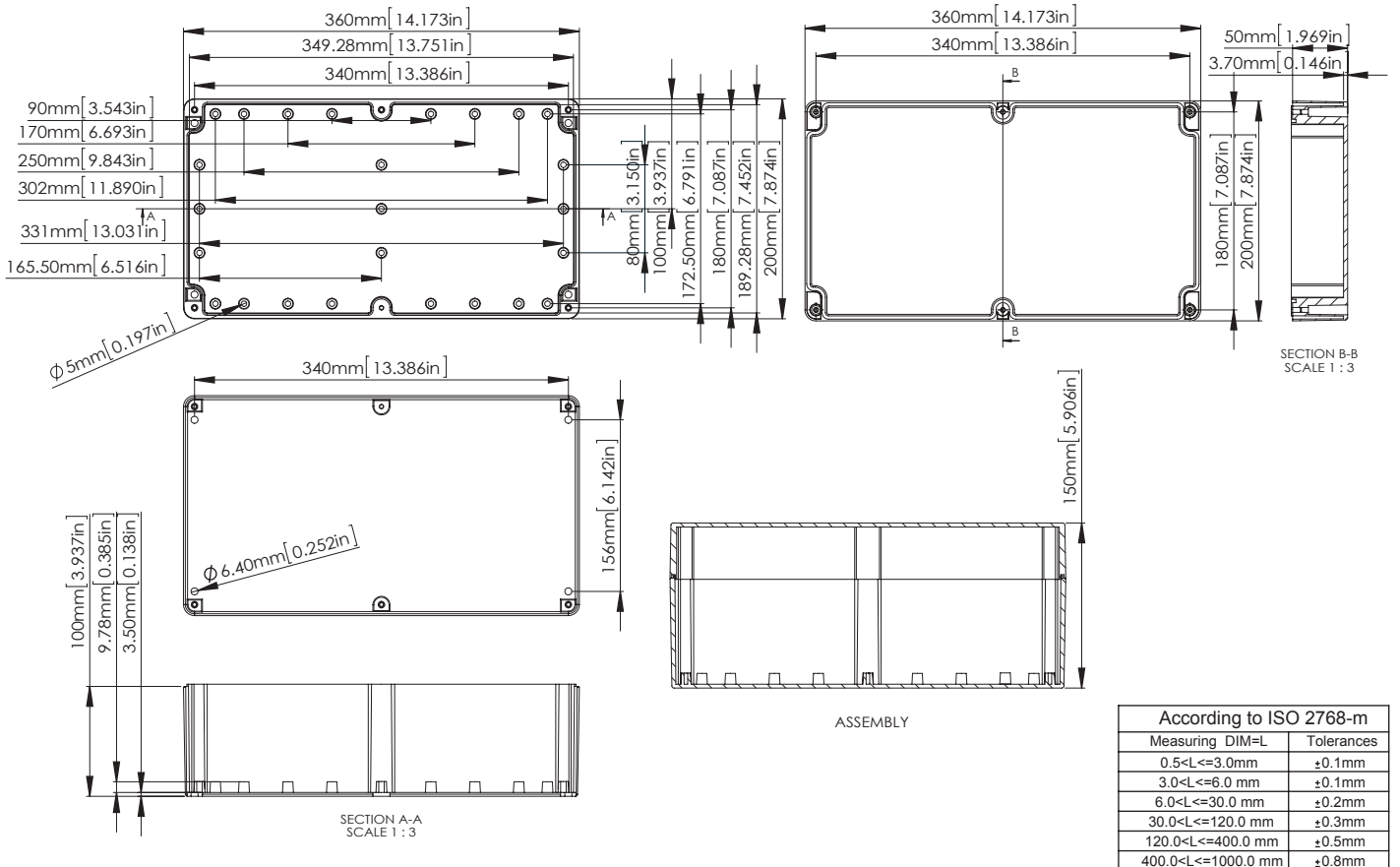
RND 455-00178/RND 455-00203



RND 455-00179/RND 455-00204



RND 455-00180 /RND 455-00205



Sealed Polycarbonate and ABS Enclosures with Mounting Flange



PRODUCT INFORMATION

- The lid and base incorporate a tongue and groove sealing system with a EPDM gasket.
- Wall mounting holes and lid fixing screws are outside the sealing area thus preventing the ingress of moisture and dust.
- Designed to IP65 of IEC 529 (Dust and Hoseproof).
- Bosses on internal base allow fixing of PCB's horizontally or connection of terminals with M3X4mm self-tapping screws.
- Internal guide slots for mounting PCB assemblies vertically.
- Available with clear or light grey lids.



RND 455-00258



RND 455-00265



RND 455-00270

PC

- Material: Polycarbonate (UL94-HB)
- Moulded in: Light Grey.
- Operating temperature: -40°C to 120°C.
- Clear lid is available on request.
- Mounting flange is designed on the bottom of the base, so the base can be mounted with pan head type of screws on the wall easily.
**Detailed screw size please refer the product drawing.



RND 455-00258



RND 455-00265



RND 455-00270

ABS

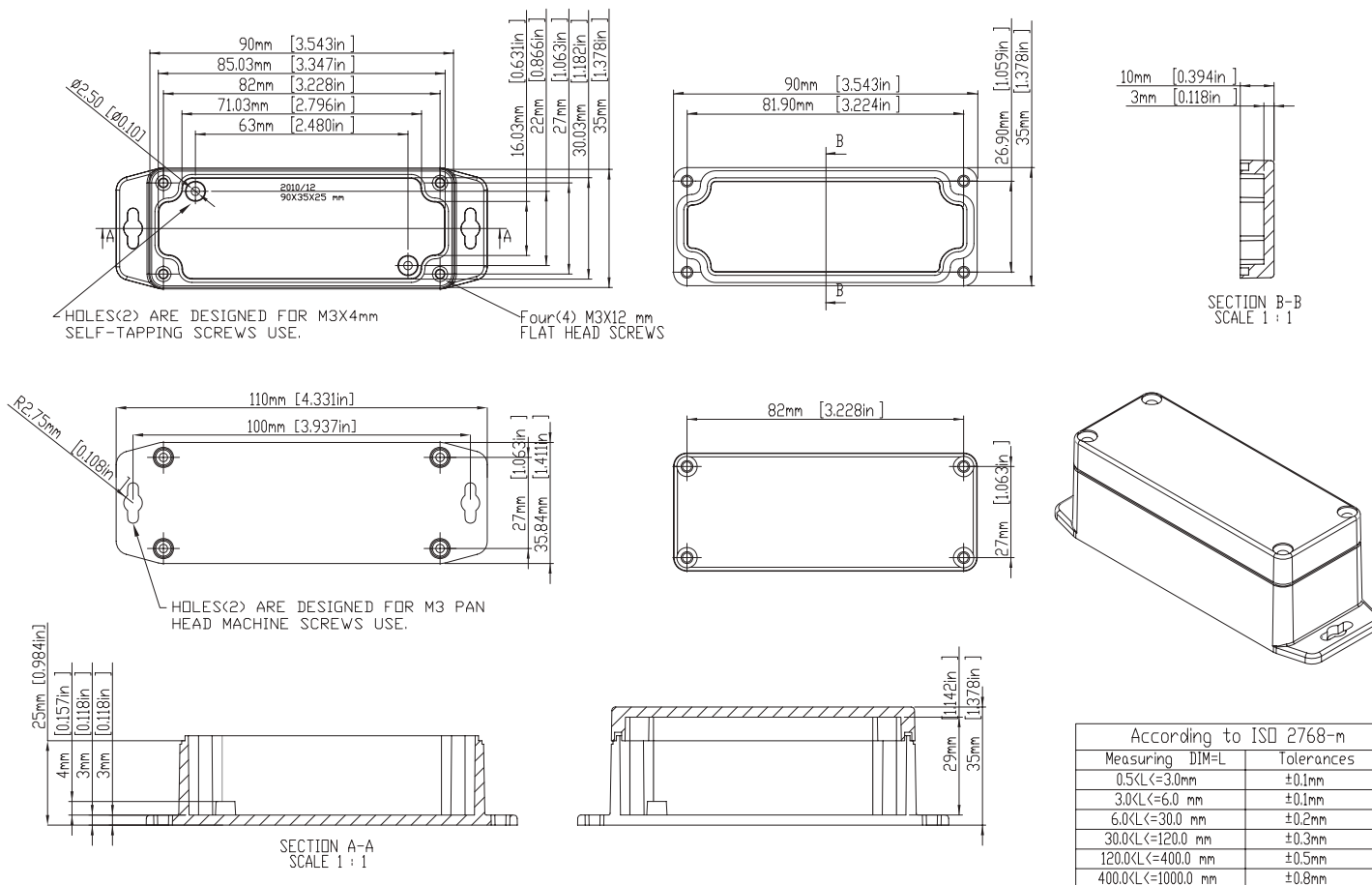
- Material: High Impact ABS (UL94-HB)
- Moulded in: Dark Grey.
- Operating temperature: -20°C to 80°C
- Mounting flange is designed on the bottom of the base, so the base can be mounted with pan head type of screws on the wall easily.
**Detailed screw size please refer the product drawing.

MATERIAL: POLYCARBONATE					
ITEM No.	COLOUR		ITEM No.	COLOUR	
	LID	BASE		LID	BASE
RND 455-00227	Light Grey		RND 455-00237	Clear	Light Grey
RND 455-00228	Light Grey		RND 455-00238	Clear	Light Grey
RND 455-00229	Light Grey		RND 455-00239	Clear	Light Grey
RND 455-00230	Light Grey		RND 455-00240	Clear	Light Grey
RND 455-00231	Light Grey		RND 455-00241	Clear	Light Grey
RND 455-00232	Light Grey		RND 455-00242	Clear	Light Grey
RND 455-00233	Light Grey		RND 455-00243	Clear	Light Grey
RND 455-00234	Light Grey		RND 455-00244	Clear	Light Grey
RND 455-00235	Light Grey		RND 455-00245	Clear	Light Grey
RND 455-00236	Light Grey		RND 455-00246	Clear	Light Grey
RND 455-00257	Light Grey		RND 455-00263	Clear	Light Grey
RND 455-00258	Light Grey		RND 455-00264	Clear	Light Grey
RND 455-00259	Light Grey		RND 455-00265	Clear	Light Grey
RND 455-00260	Light Grey		RND 455-00266	Clear	Light Grey
RND 455-00261	Light Grey		RND 455-00267	Clear	Light Grey
RND 455-00262	Light Grey		RND 455-00268	Clear	Light Grey

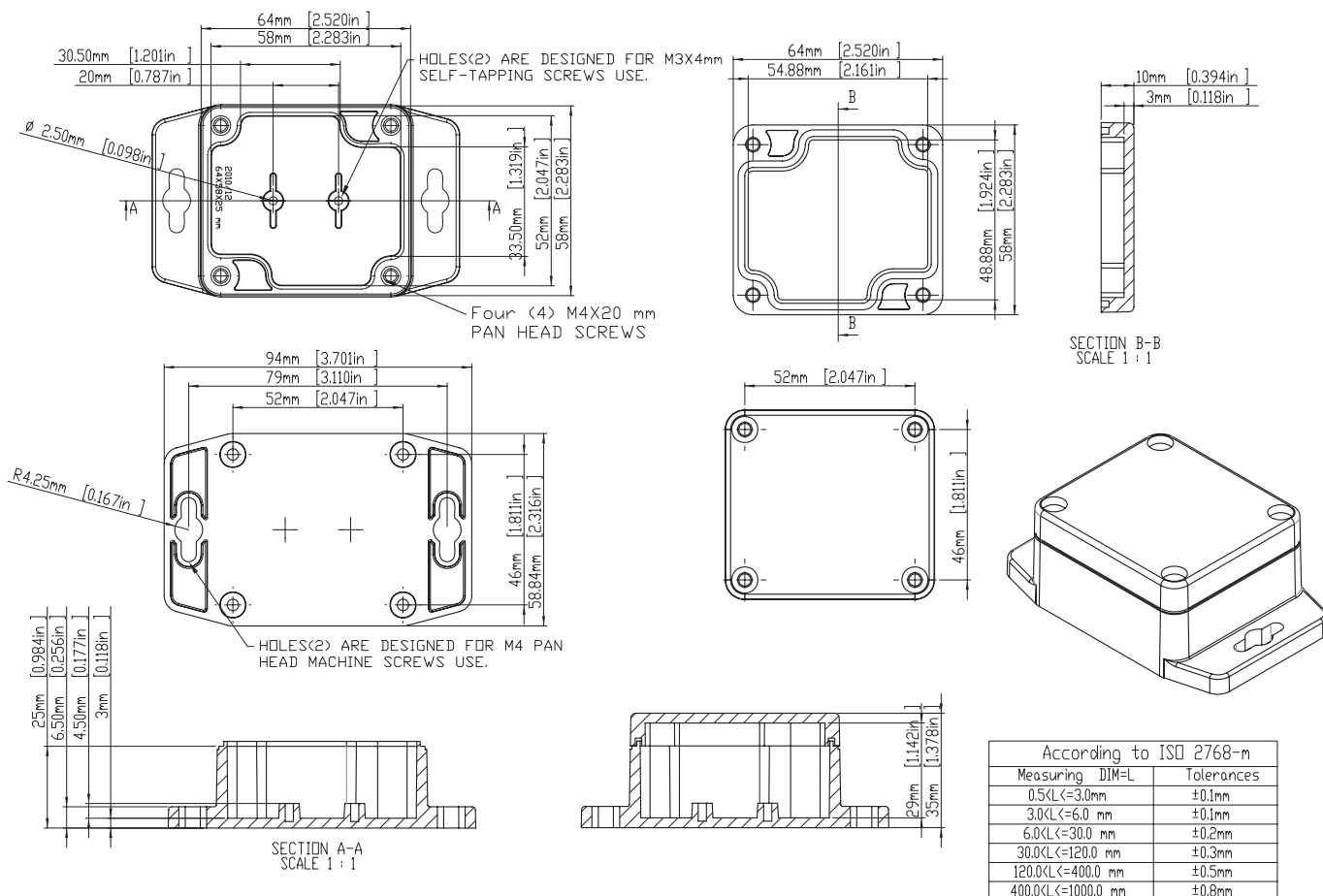
MATERIAL: ABS			
ITEM No.	COLOUR		EXTERNAL DIMENSION(mm)
	LID	BASE	
RND 455-00247	Dark Grey		64 x 58 x 35
RND 455-00248	Dark Grey		115 x 65 x 40
RND 455-00249	Dark Grey		115 x 65 x 55
RND 455-00250	Dark Grey		115 x 90 x 55
RND 455-00251	Dark Grey		115 x 90 x 80
RND 455-00252	Dark Grey		171 x 121 x 55
RND 455-00253	Dark Grey		171 x 121 x 80
RND 455-00254	Dark Grey		222 x 146 x 55
RND 455-00255	Dark Grey		222 x 146 x 75
RND 455-00256	Dark Grey		90 x 35 x 35
RND 455-00269	Dark Grey		52 x 50 x 35
RND 455-00270	Dark Grey		82 x 80 x 55
RND 455-00271	Dark Grey		160 x 80 x 55
RND 455-00272	Dark Grey		160 x 80 x 85
RND 455-00273	Dark Grey		120 x 120 x 60
RND 455-00274	Dark Grey		120 x 120 x 90

▶ Lid fixing screws are M4 stainless steel (non-magnetic) into threaded brass inserts.

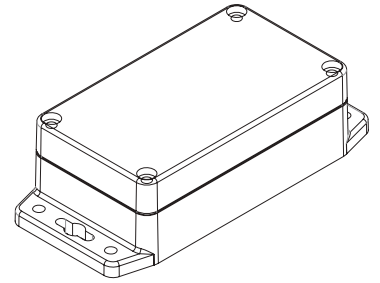
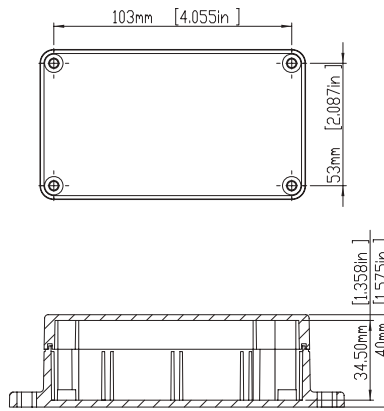
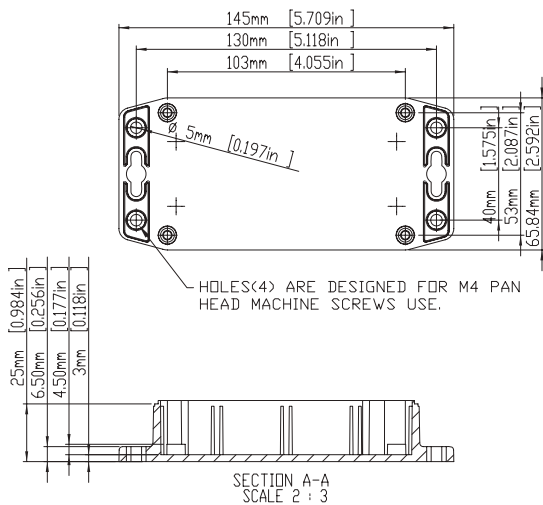
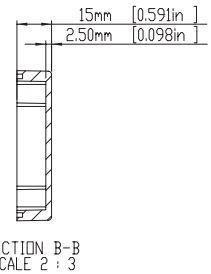
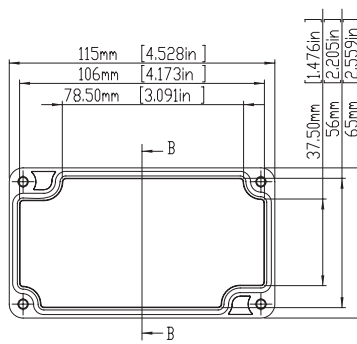
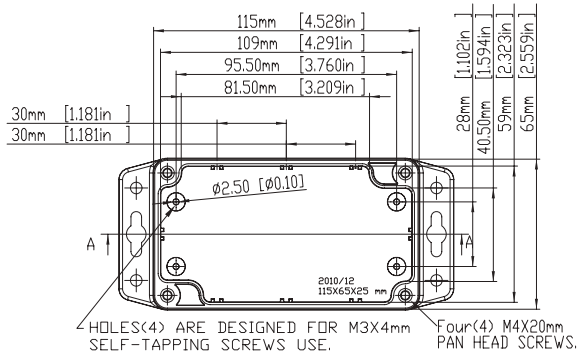
RND 455-00236 / RND 455-00246 / RND 455-00256



RND 455-00227 / RND 455-00237 / RND 455-00247



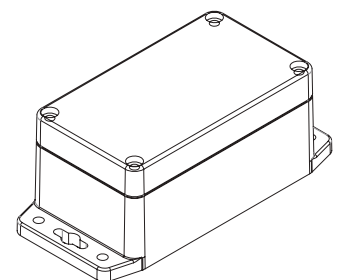
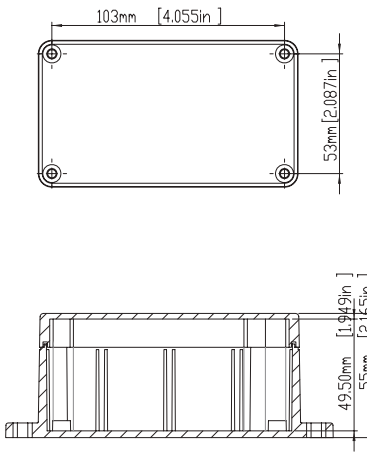
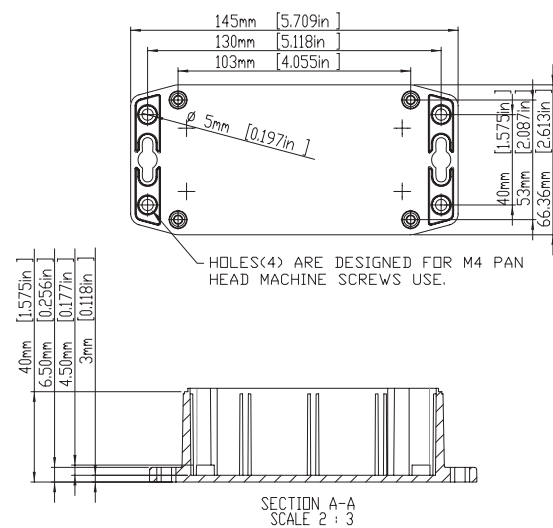
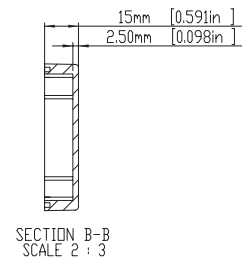
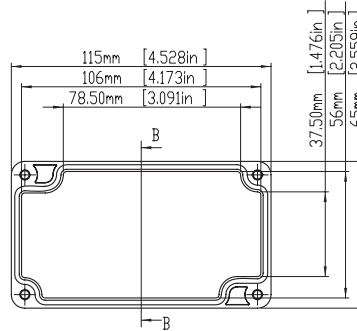
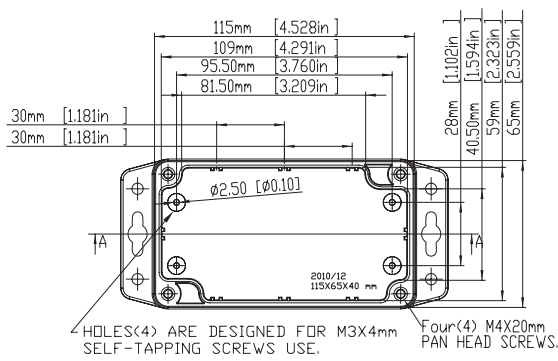
RND 455-00228 / RND 455-00238 / RND 455-00248



According to ISO 2768-m

Measuring DIM=L	Tolerances
0.5<L<=3.0mm	±0.1mm
3.0<L<=6.0 mm	±0.1mm
6.0<L<=30.0 mm	±0.2mm
30.0<L<=120.0 mm	±0.3mm
120.0<L<=400.0 mm	±0.5mm
400.0<L<=1000.0 mm	±0.8mm

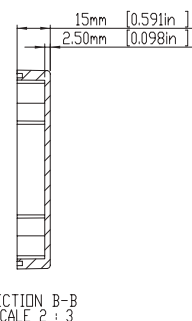
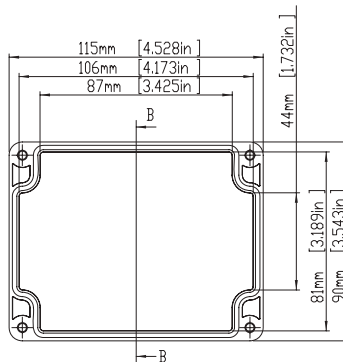
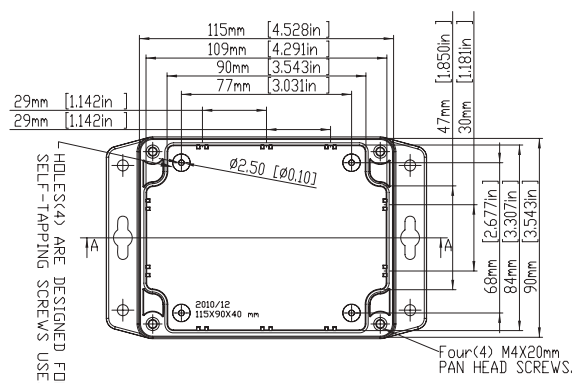
RND 455-00229 / RND 455-00239 / RND 455-00249



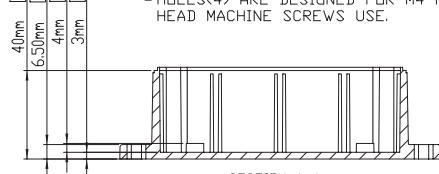
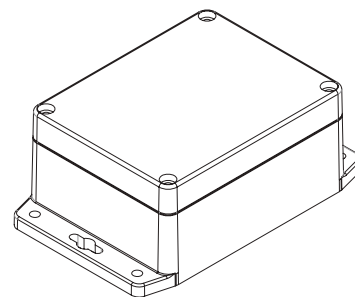
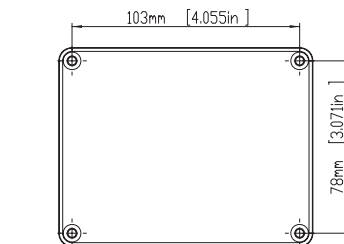
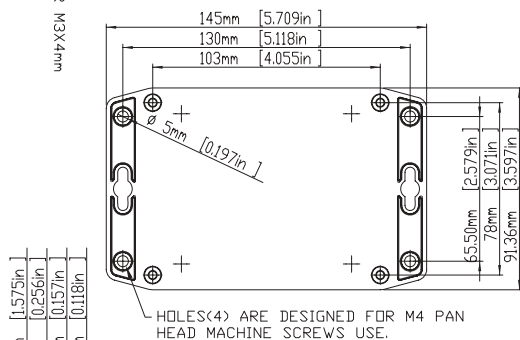
According to ISO 2768-m

Measuring DIM=L	Tolerances
0.5<L<=3.0mm	±0.1mm
3.0<L<=6.0 mm	±0.1mm
6.0<L<=30.0 mm	±0.2mm
30.0<L<=120.0 mm	±0.3mm
120.0<L<=400.0 mm	±0.5mm
400.0<L<=1000.0 mm	±0.8mm

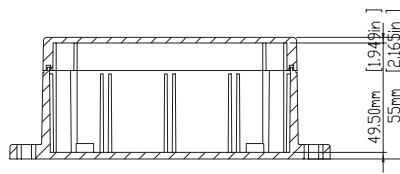
RND 455-00230 / RND 455-00240 / RND 455-00250



SECTION B-B
SCALE 2 : 3

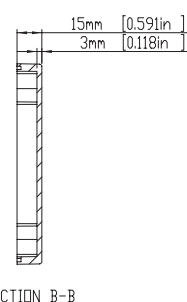
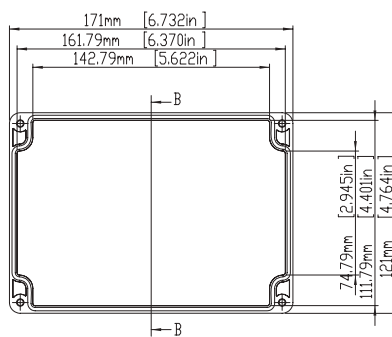
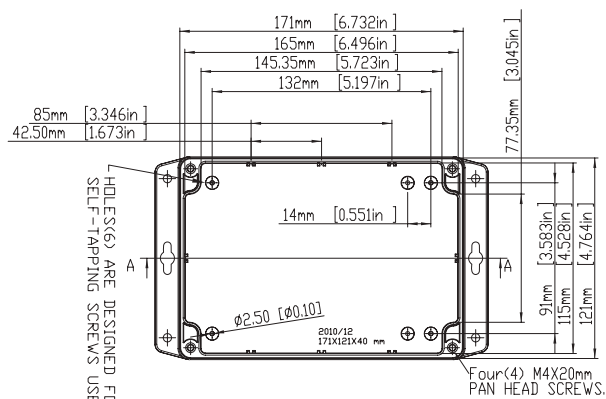


SECTION A-A
SCALE 2 : 3

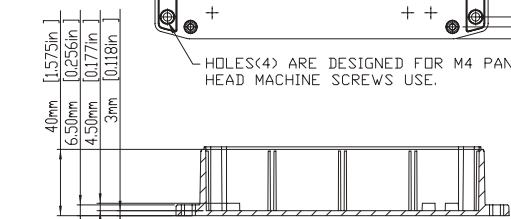
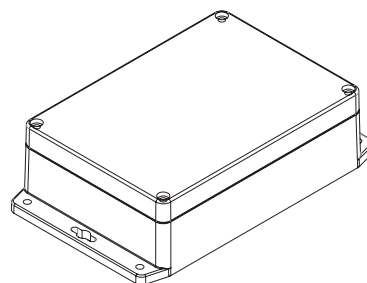
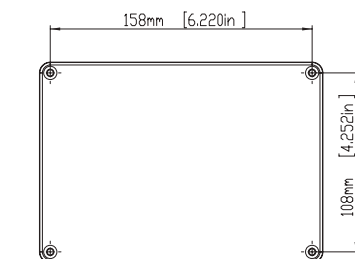
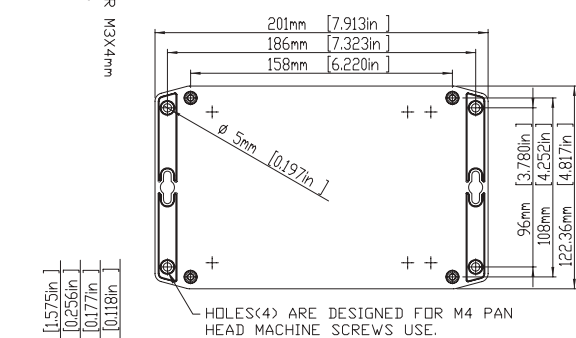


According to ISO 2768-m	
Measuring DIM=L	Tolerances
0.5<L<=3.0mm	±0.1mm
3.0<L<=6.0 mm	±0.1mm
6.0<L<=30.0 mm	±0.2mm
30.0<L<=120.0 mm	±0.3mm
120.0<L<=400.0 mm	±0.5mm
400.0<L<=1000.0 mm	±0.8mm

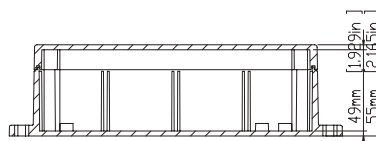
RND 455-00232 / RND 455-00242 / RND 455-00252



SECTION B-B

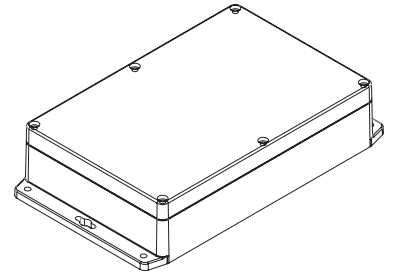
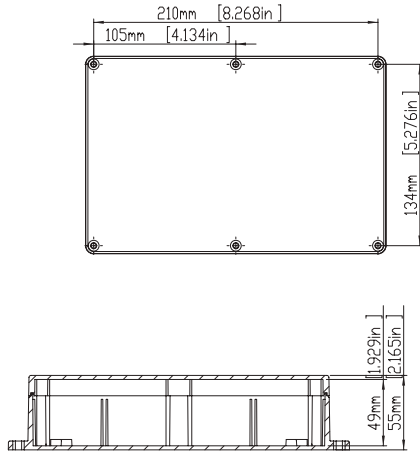
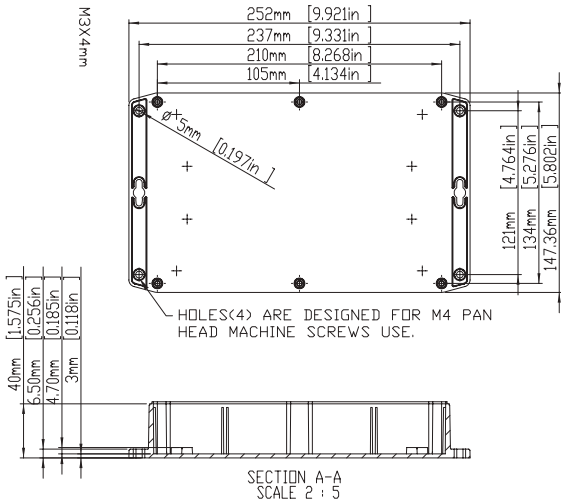
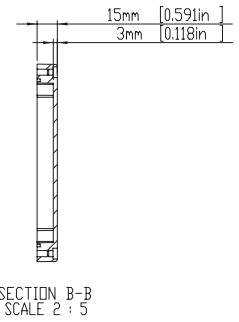
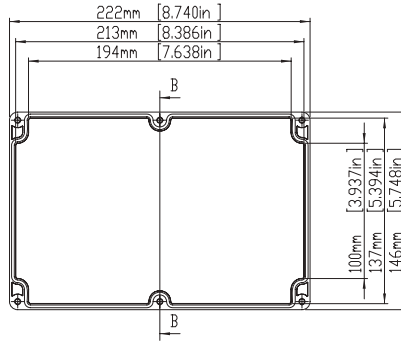
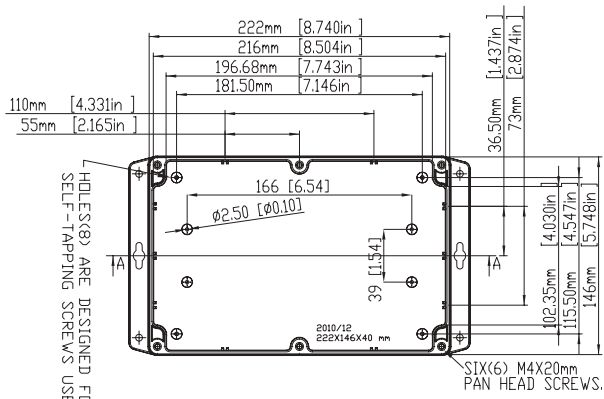


SECTION A-A



According to ISO 2768-m	
Measuring DIM=L	Tolerances
0.5<L<=3.0mm	±0.1mm
3.0<L<=6.0 mm	±0.1mm
6.0<L<=30.0 mm	±0.2mm
30.0<L<=120.0 mm	±0.3mm
120.0<L<=400.0 mm	±0.5mm
400.0<L<=1000.0 mm	±0.8mm

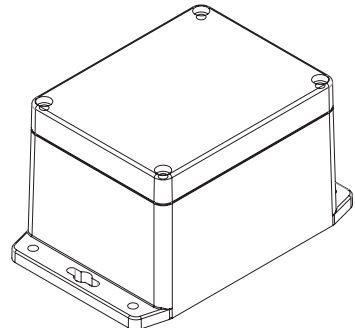
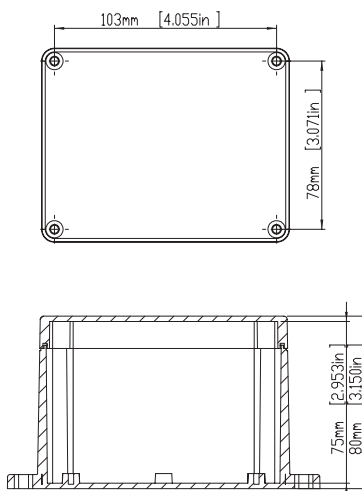
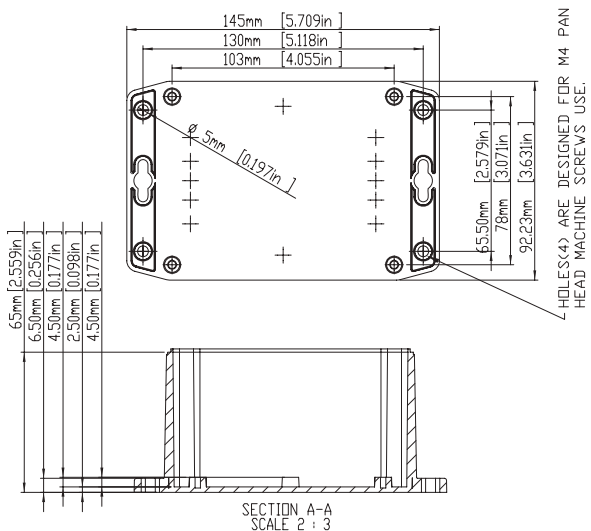
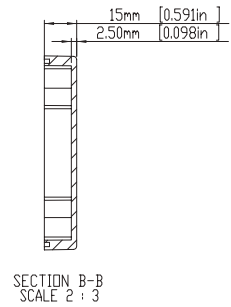
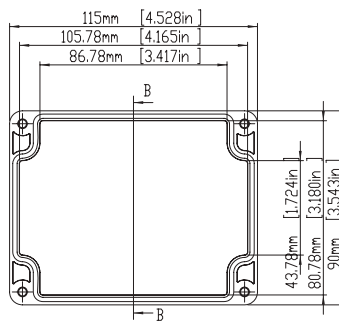
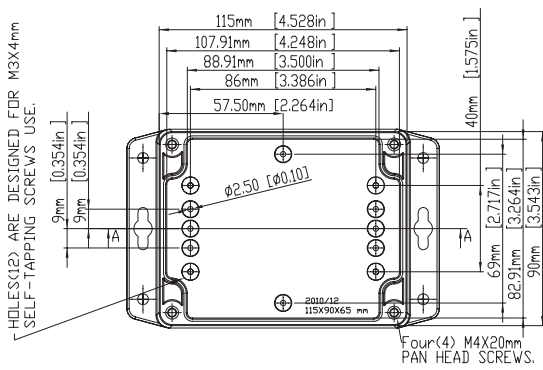
RND 455-00234 / RND 455-00244 / RND 455-00254



According to ISO 2768-m

Measuring DIM=L	Tolerances
0.5<L<=3.0mm	±0.1mm
3.0<L<=6.0 mm	±0.1mm
6.0<L<=30.0 mm	±0.2mm
30.0<L<=120.0 mm	±0.3mm
120.0<L<=400.0 mm	±0.5mm
400.0<L<=1000.0 mm	±0.8mm

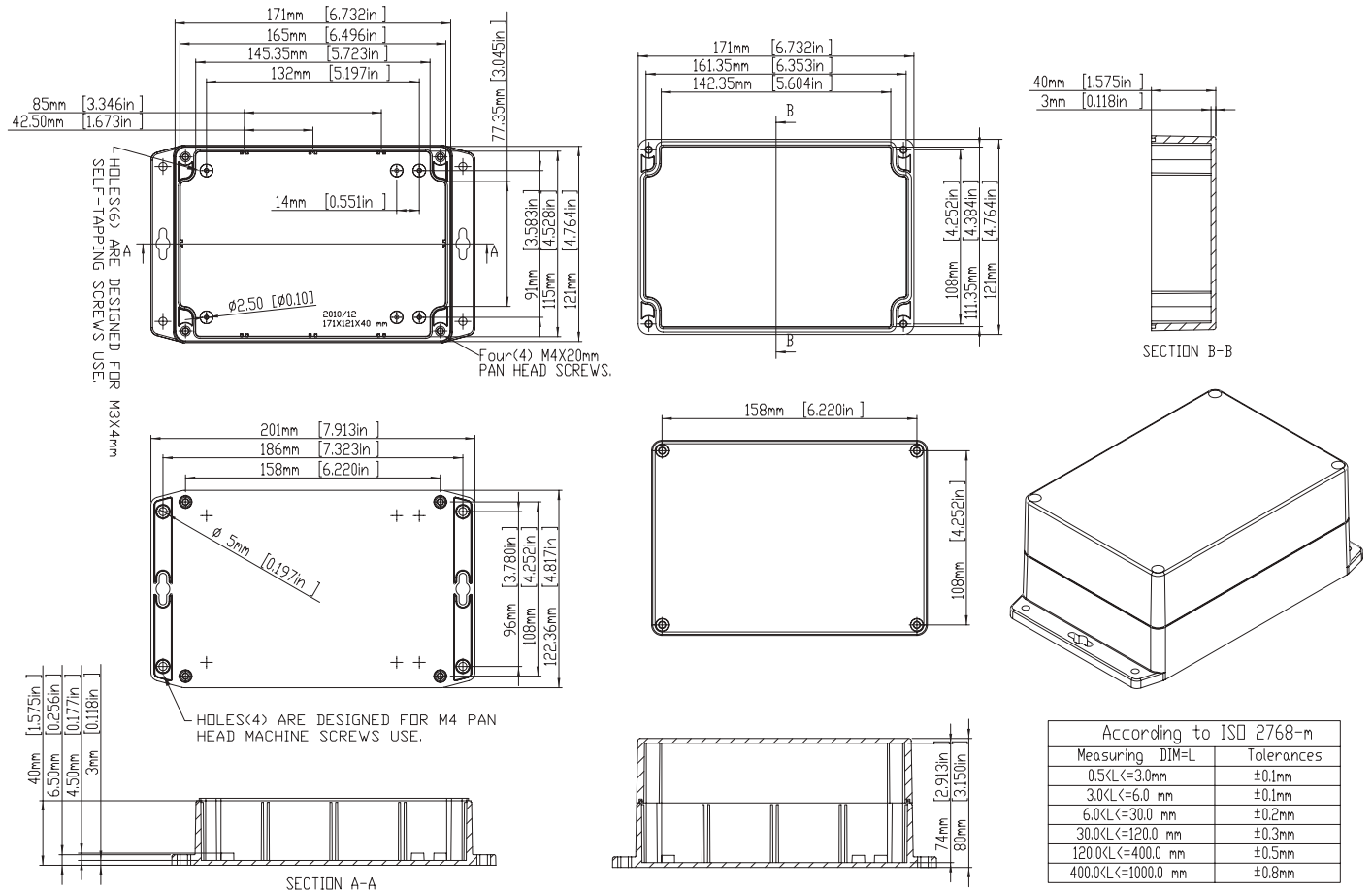
RND 455-00231 / RND 455-00241 / RND 455-00251



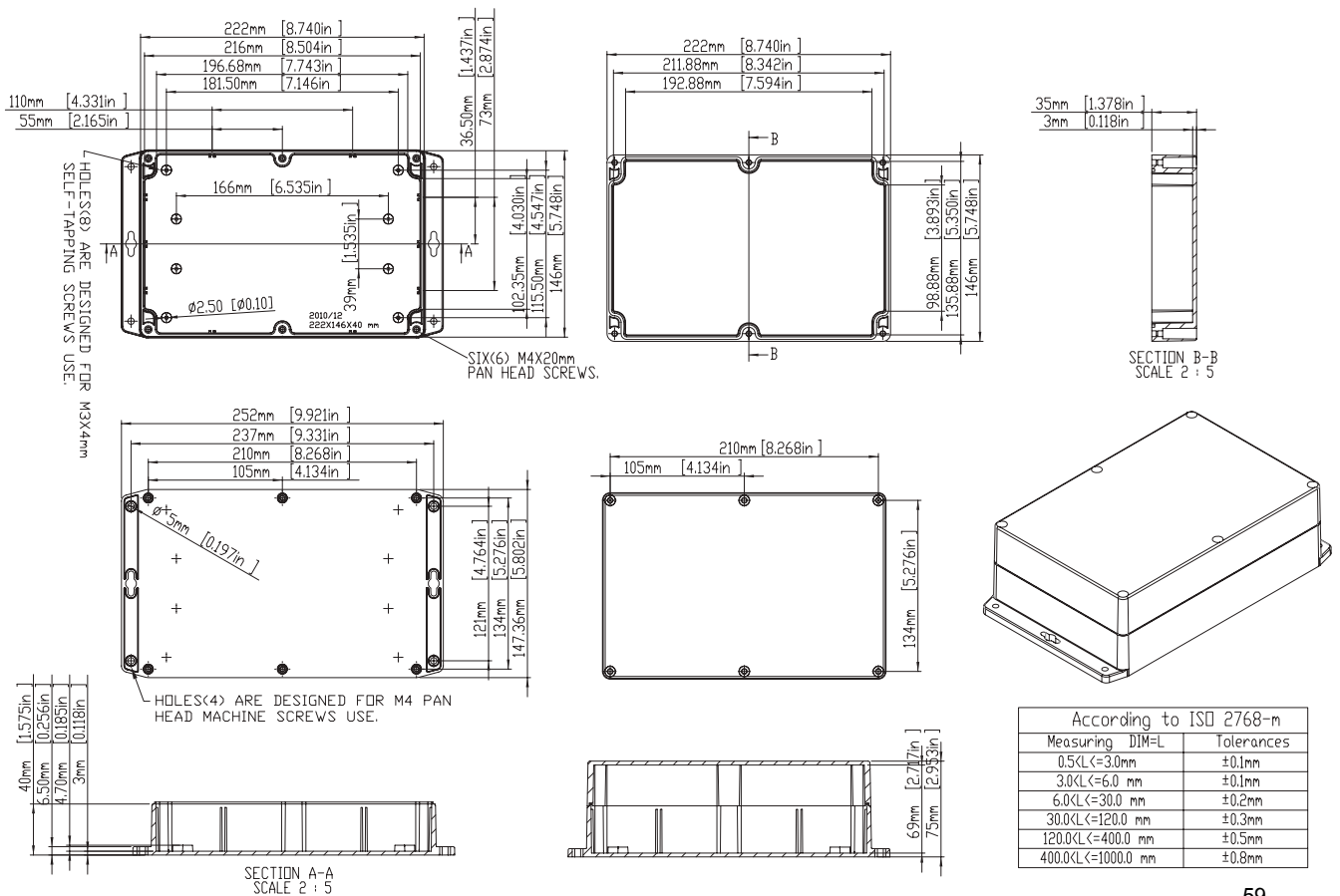
According to ISO 2768-m

Measuring DIM=L	Tolerances
0.5<L<=3.0mm	±0.1mm
3.0<L<=6.0 mm	±0.1mm
6.0<L<=30.0 mm	±0.2mm
30.0<L<=120.0 mm	±0.3mm
120.0<L<=400.0 mm	±0.5mm
400.0<L<=1000.0 mm	±0.8mm

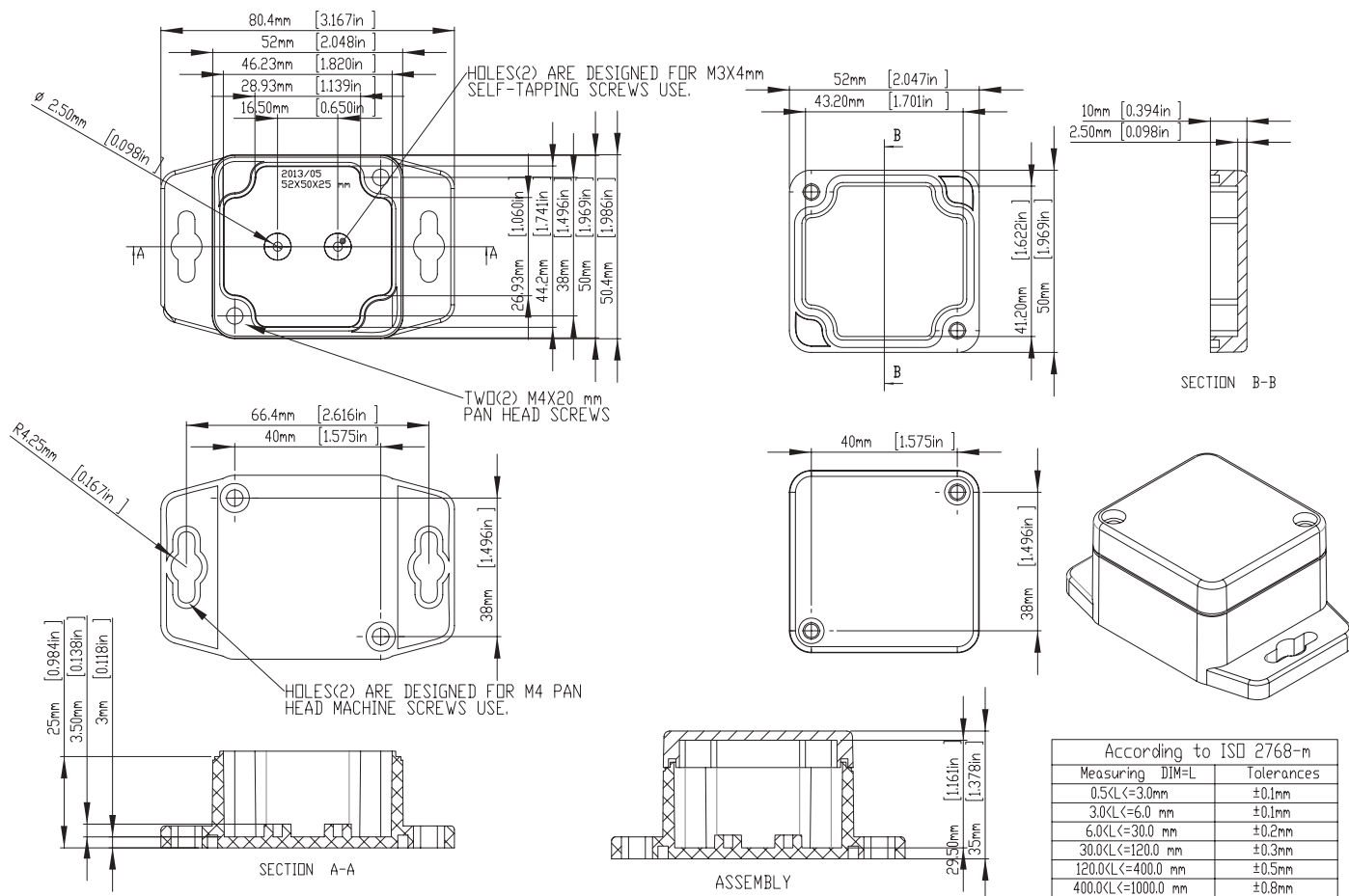
RND 455-00233 / RND 455-00243 / RND 455-00253



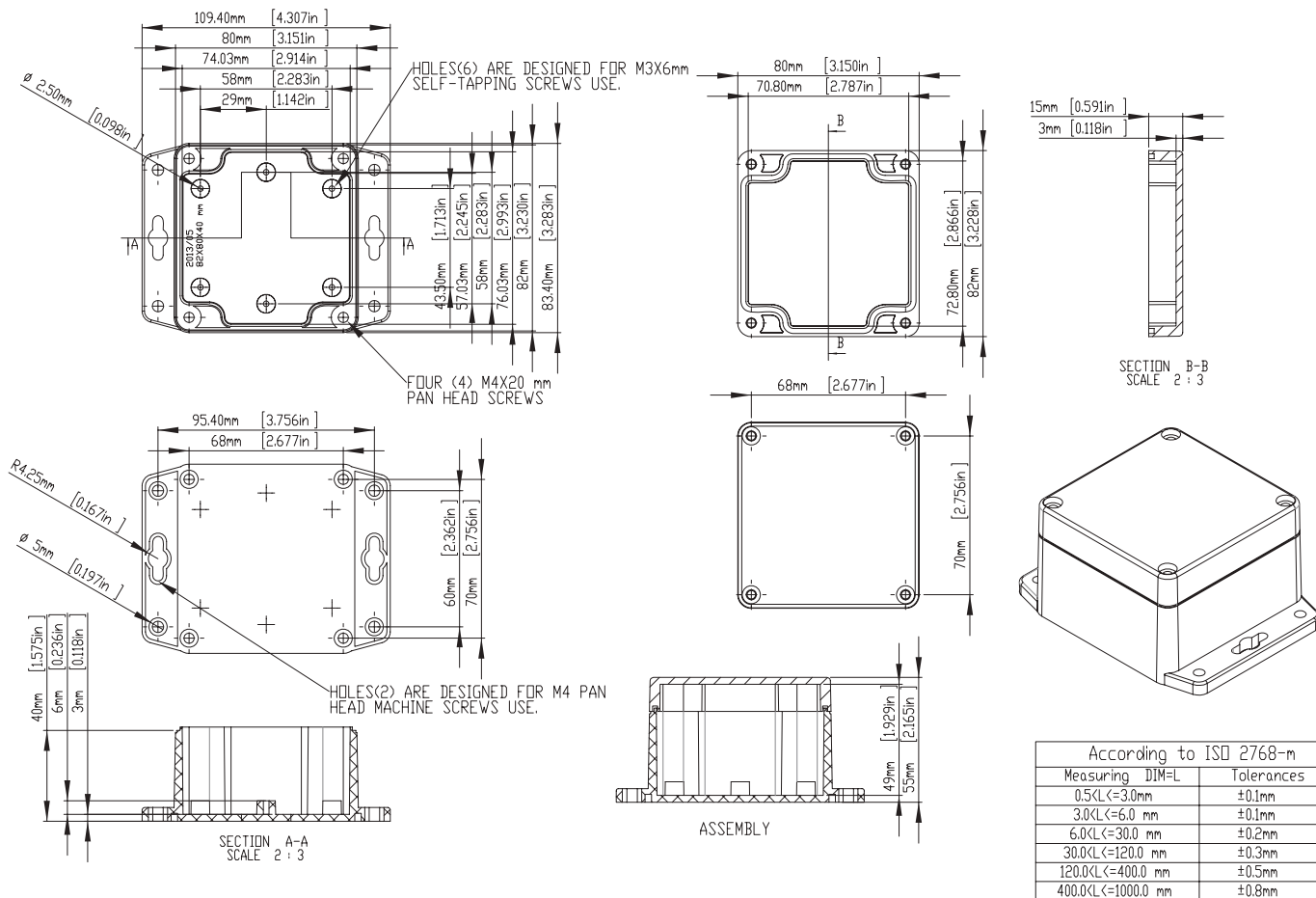
RND 455-00235 / RND 455-00245 / RND 455-00255



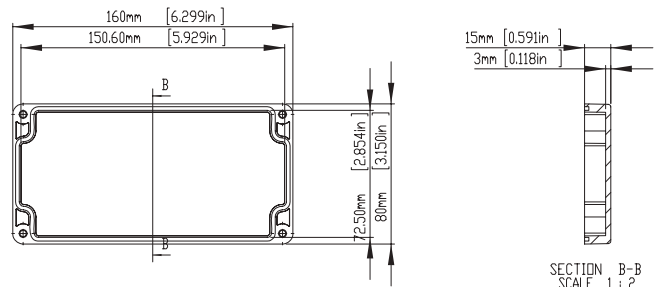
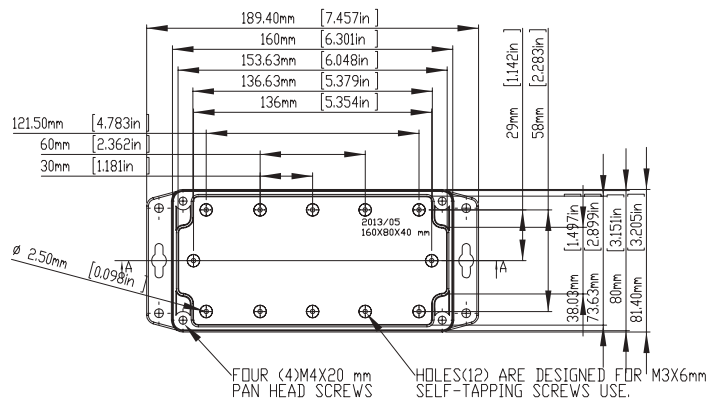
RND 455-00257 / RND 455-00263 / RND 455-00269



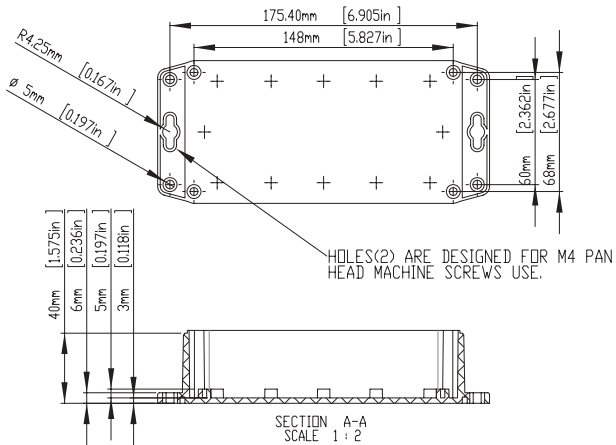
RND 455-00258 / RND 455-00264 / RND 455-00270



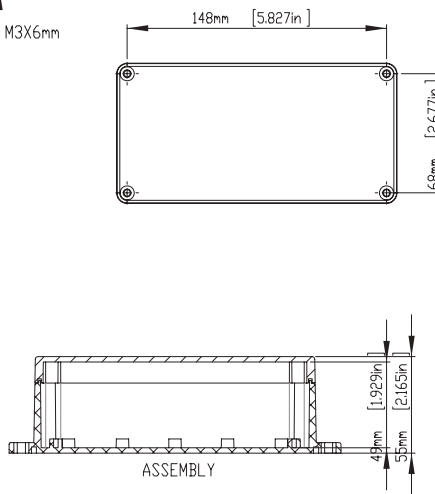
RND 455-00259 / RND 455-00265 / RND 455-00271



SECTION B-B
SCALE 1 : 2



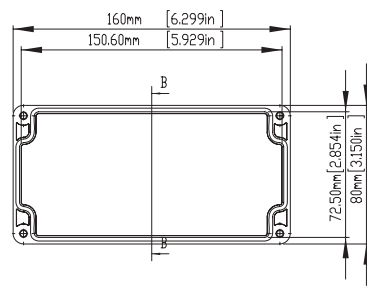
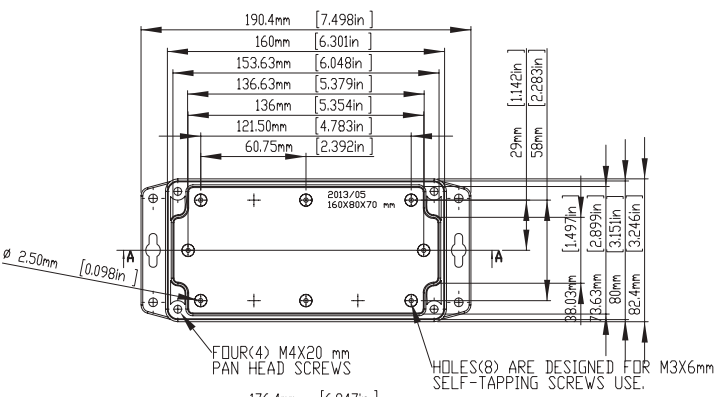
SECTION A-A
SCALE 1 : 2



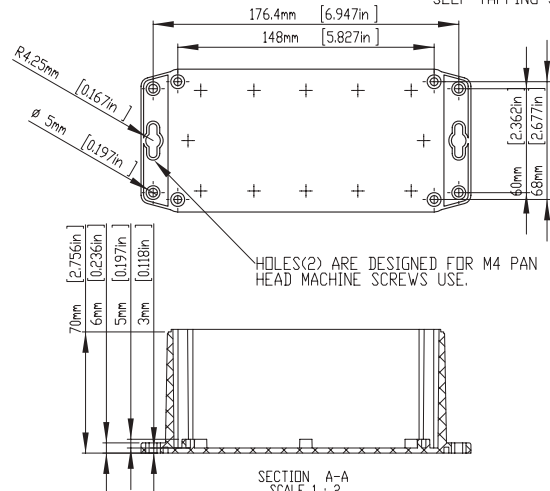
ASSEMBLY

According to ISO 2768-m	
Measuring DIM=L	Tolerances
0.5<L<=3.0mm	±0.1mm
3.0<L<=6.0 mm	±0.1mm
6.0<L<=30.0 mm	±0.2mm
30.0<L<=120.0 mm	±0.3mm
120.0<L<=400.0 mm	±0.5mm
400.0<L<=1000.0 mm	±0.8mm

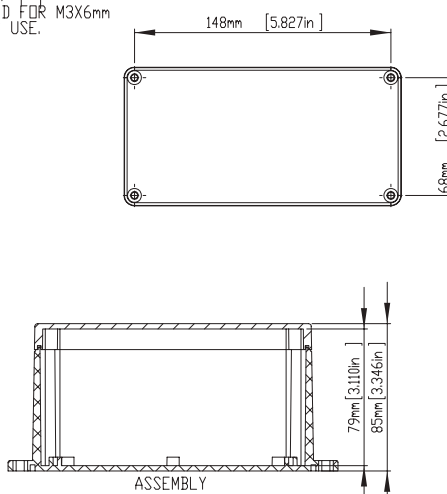
RND 455-00260 / RND 455-00266 / RND 455-00272



SECTION B-B
SCALE 1 : 2



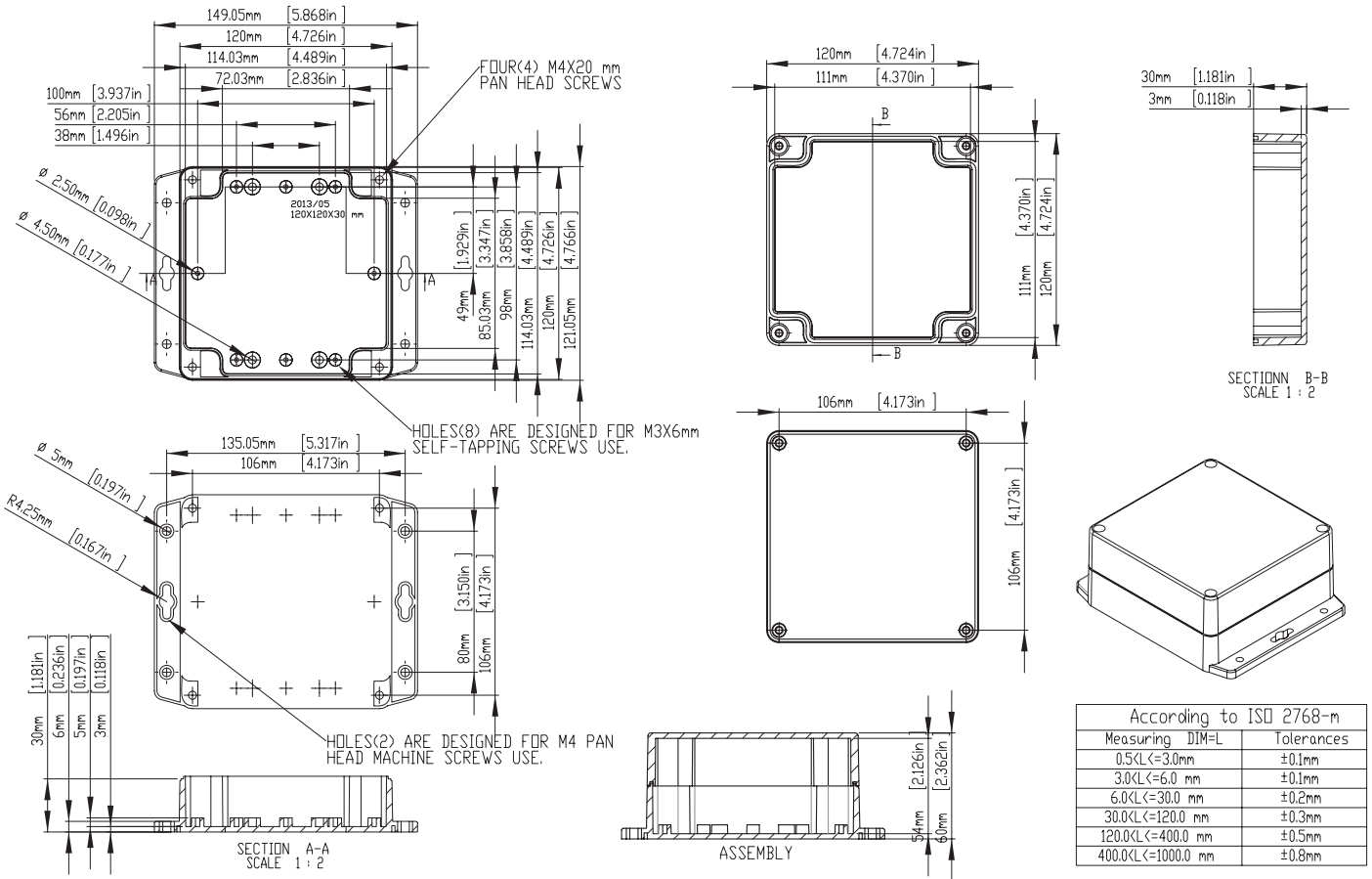
SECTION A-A
SCALE 1 : 2



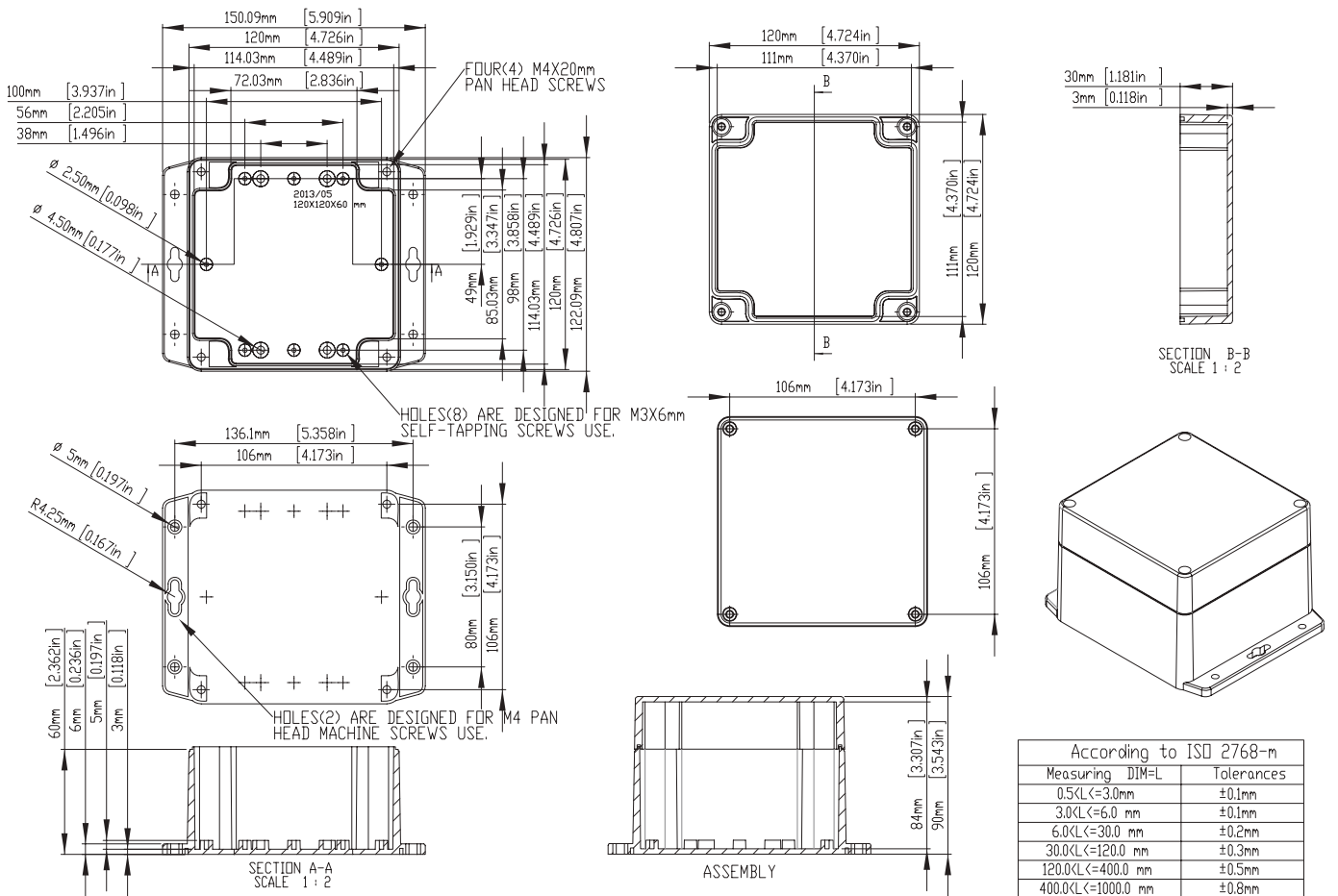
ASSEMBLY

According to ISO 2768-m	
Measuring DIM=L	Tolerances
0.5<L<=3.0mm	±0.1mm
3.0<L<=6.0 mm	±0.1mm
6.0<L<=30.0 mm	±0.2mm
30.0<L<=120.0 mm	±0.3mm
120.0<L<=400.0 mm	±0.5mm
400.0<L<=1000.0 mm	±0.8mm

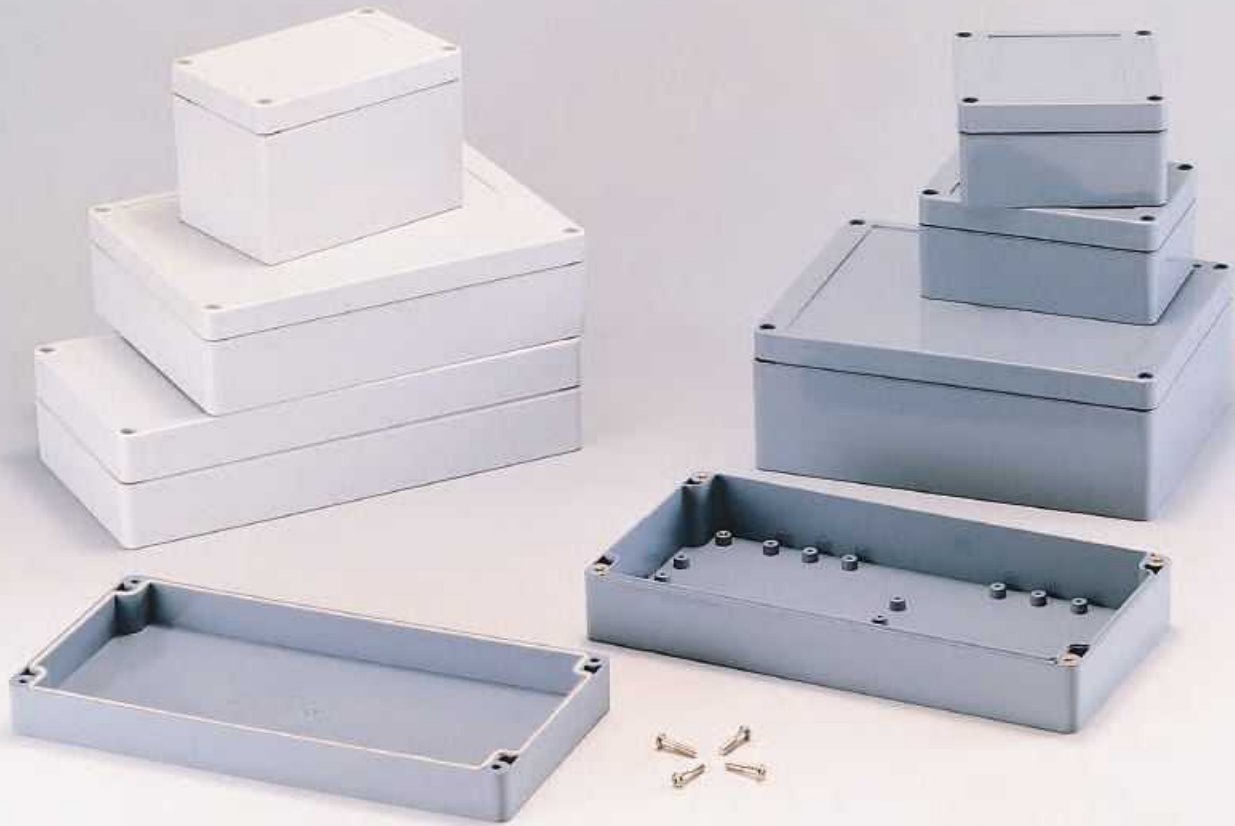
RND 455-00261 / RND 455-00267 / RND 455-00273



RND 455-00262 / RND 455-00268 / RND 455-00274



New Design Sealed Polycarbonate and ABS Plastic Enclosures



PRODUCT INFORMATION

MATERIAL :

- Polycarbonate in light grey cover and body.
- Polycarbonate in clear cover and light grey body.
- ABS in dark grey cover and body.

FEATURES: RND 455-00129 RND 455-00140 RND 455-00144

- Designed to IP65 specification.
- Wall mounting holes and cover attaching screws are outside the sealing area thus preventing ingress of moisture and dust.
- Internal bosses allow mounting of PCB horizontally or for connection of terminals, etc..... Into threaded inserts.
- Cover screws are M4 stainless steel, non-magnetic and fasten into thread brass inserts.
- Recessed area on cover for sticking membrane keyboard.





RND 455-00129



RND 455-00140

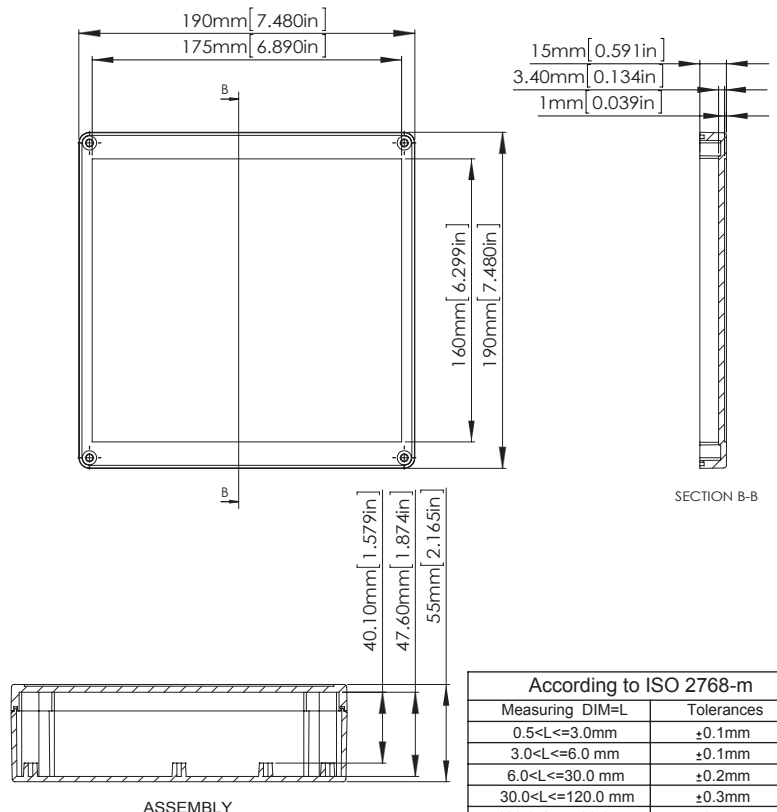
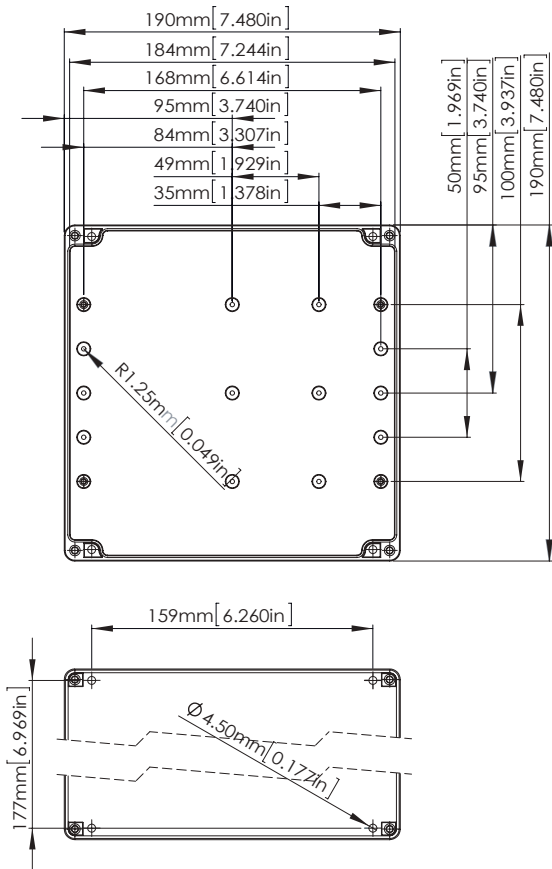


RND 455-00144

MATERIAL: POLYCARBONATE					
ITEM No.	COLOUR		ITEM No.	COLOUR	
	LID	BASE		LID	BASE
RND 455-00122	Light Grey		RND 455-00133	Clear	Light Grey
RND 455-00123	Light Grey		RND 455-00134	Clear	Light Grey
RND 455-00124	Light Grey		RND 455-00135	Clear	Light Grey
RND 455-00125	Light Grey		RND 455-00136	Clear	Light Grey
RND 455-00126	Light Grey		RND 455-00137	Clear	Light Grey
RND 455-00127	Light Grey		RND 455-00138	Clear	Light Grey
RND 455-00128	Light Grey		RND 455-00139	Clear	Light Grey
RND 455-00129	Light Grey		RND 455-00140	Clear	Light Grey
RND 455-00130	Light Grey		RND 455-00141	Clear	Light Grey
RND 455-00131	Light Grey		RND 455-00142	Clear	Light Grey
RND 455-00132	Light Grey		RND 455-00143	Clear	Light Grey

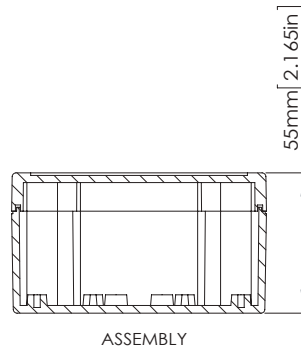
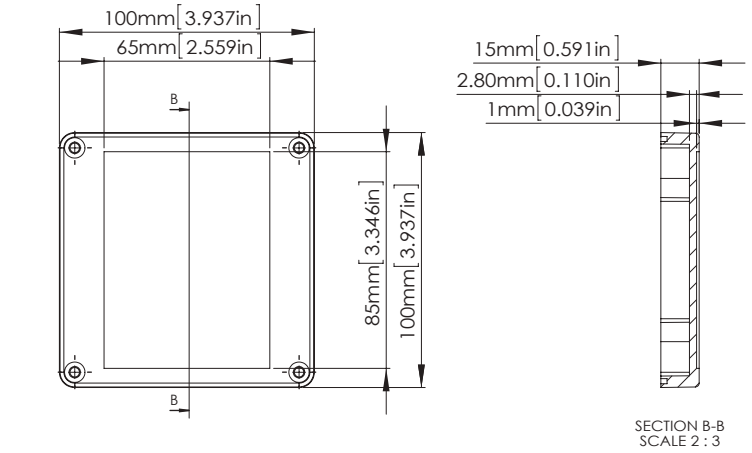
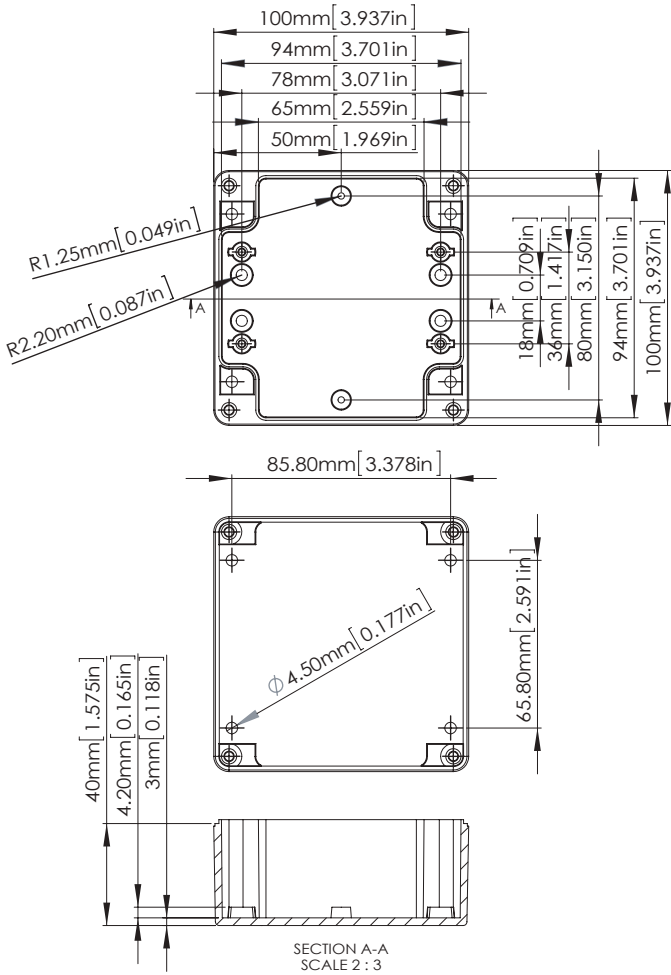
MATERIAL: ABS			
ITEM No.	COLOUR		EXTERNAL DIMENSION(mm)
	LID	BASE	
RND 455-00144	Dark Grey		100 x 100 x 55
RND 455-00145	Dark Grey		100 x 100 x 90
RND 455-00146	Dark Grey		120 x 80 x 55
RND 455-00147	Dark Grey		120 x 80 x 85
RND 455-00148	Dark Grey		200 x 120 x 90
RND 455-00149	Dark Grey		240 x 120 x 60
RND 455-00150	Dark Grey		240 x 120 x 100
RND 455-00151	Dark Grey		200 x 150 x 55
RND 455-00152	Dark Grey		200 x 150 x 75
RND 455-00153	Dark Grey		353 x 140 x 121.5
RND 455-00154	Dark Grey		190 x 190 x 55

RND 455-00132 / RND 455-00143 / RND 455-00154



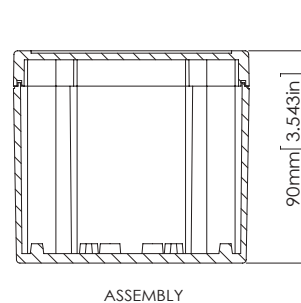
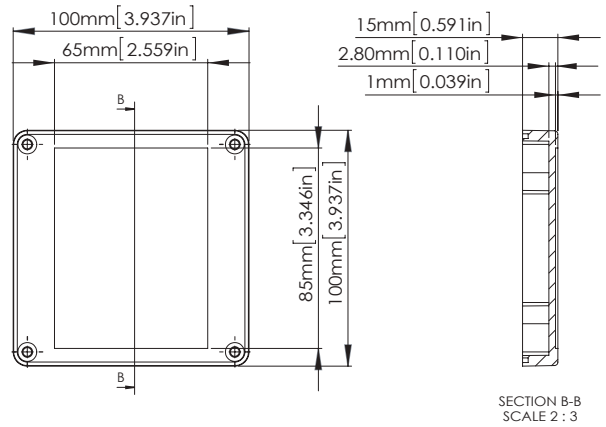
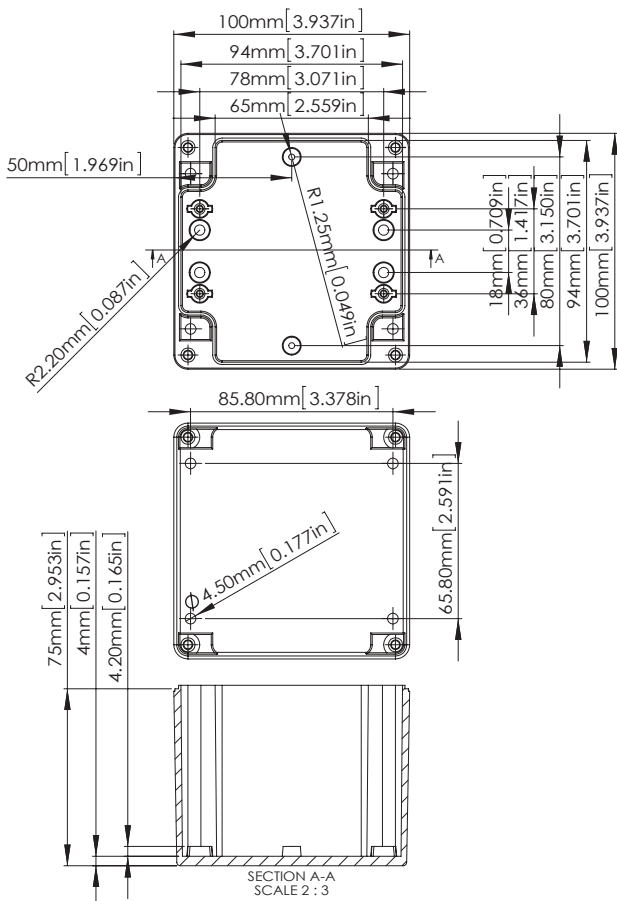
According to ISO 2768-m	
Measuring DIM=L	Tolerances
0.5<L<=3.0mm	±0.1mm
3.0<L<=6.0 mm	±0.1mm
6.0<L<=30.0 mm	±0.2mm
30.0<L<=120.0 mm	±0.3mm
120.0<L<=400.0 mm	±0.5mm
400.0<L<=1000.0 mm	±0.8mm

RND 455-00122 / RND 455-00133 / RND 455-00144



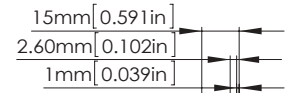
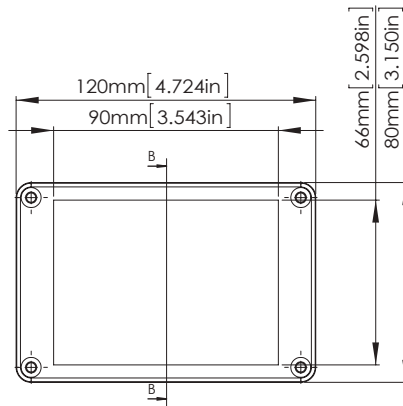
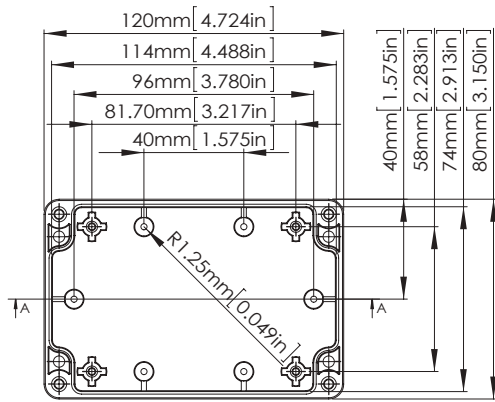
According to ISO 2768-m	
Measuring DIM=L	Tolerances
0.5<L<=3.0mm	±0.1mm
3.0<L<=6.0 mm	±0.1mm
6.0<L<=30.0 mm	±0.2mm
30.0<L<=120.0 mm	±0.3mm
120.0<L<=400.0 mm	±0.5mm
400.0<L<=1000.0 mm	±0.8mm

RND 455-00123 / RND 455-00134 / RND 455-00145

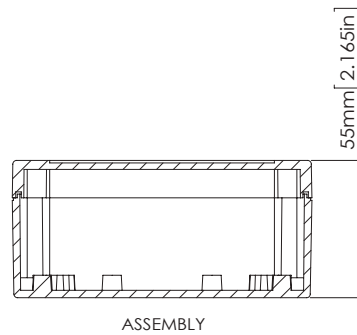
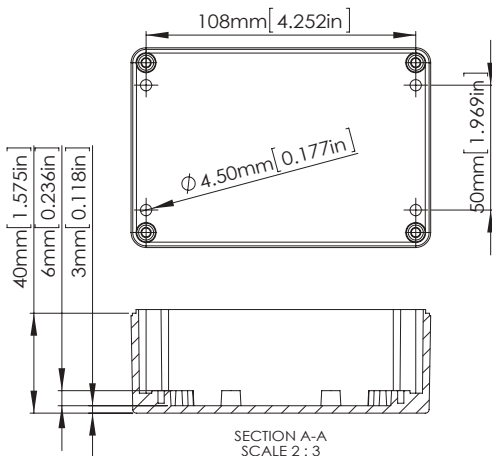


According to ISO 2768-m	
Measuring DIM=L	Tolerances
0.5<L<=3.0mm	±0.1mm
3.0<L<=6.0 mm	±0.1mm
6.0<L<=30.0 mm	±0.2mm
30.0<L<=120.0 mm	±0.3mm
120.0<L<=400.0 mm	±0.5mm
400.0<L<=1000.0 mm	±0.8mm

RND 455-00124 / RND 455-00135 / RND 455-00146



SECTION B-B
SCALE 2 : 3

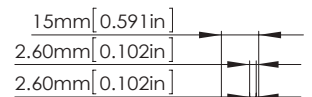
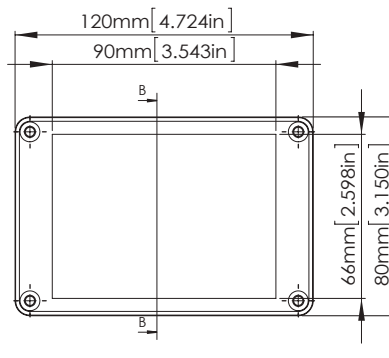
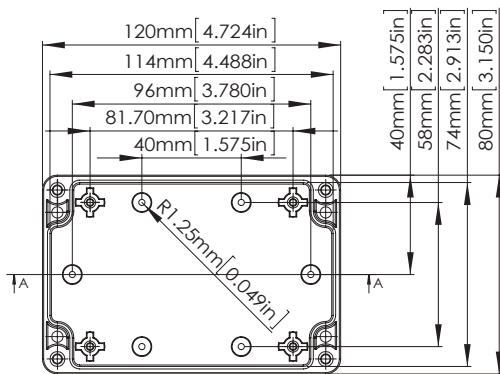


ASSEMBLY

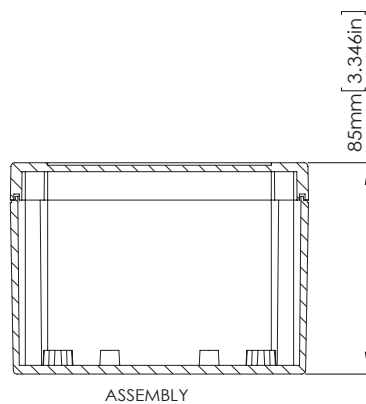
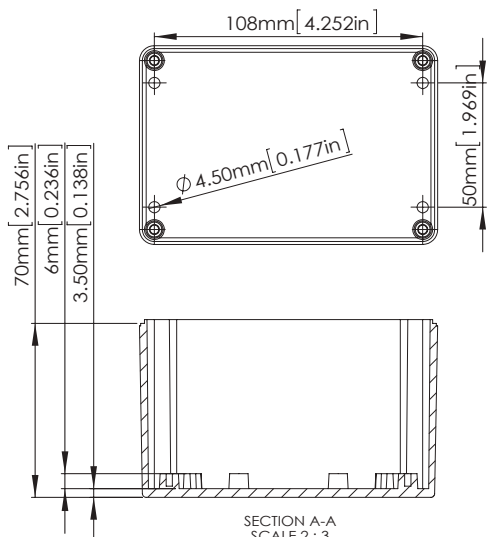
According to ISO 2768-m	
Measuring DIM=L	Tolerances
0.5<L<=3.0mm	±0.1mm
3.0<L<=6.0 mm	±0.1mm
6.0<L<=30.0 mm	±0.2mm
30.0<L<=120.0 mm	±0.3mm
120.0<L<=400.0 mm	±0.5mm
400.0<L<=1000.0 mm	±0.8mm

SECTION A-A
SCALE 2 : 3

RND 455-00125 / RND 455-00136 / RND 455-00147



SECTION B-B
SCALE 2 : 3

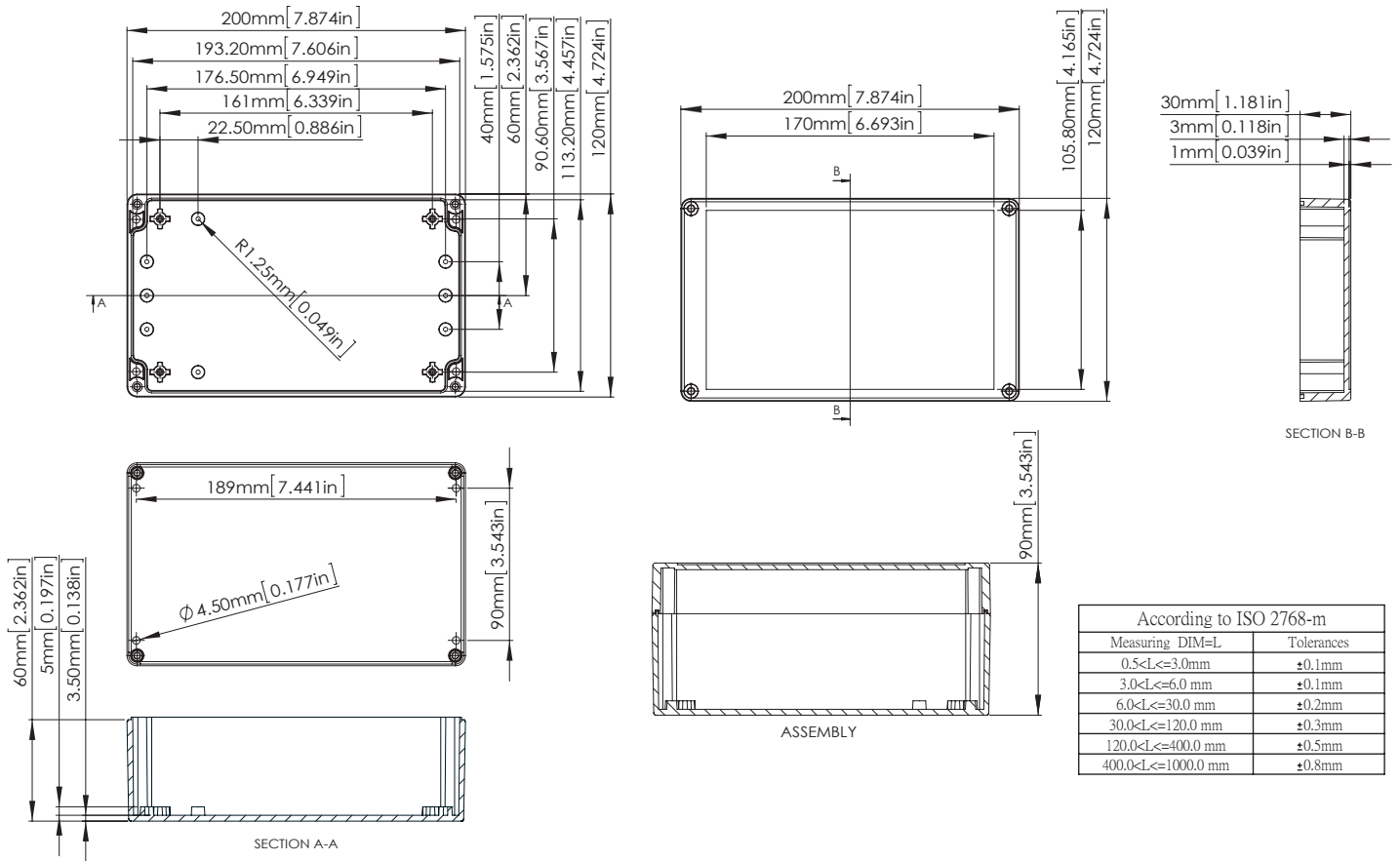


ASSEMBLY

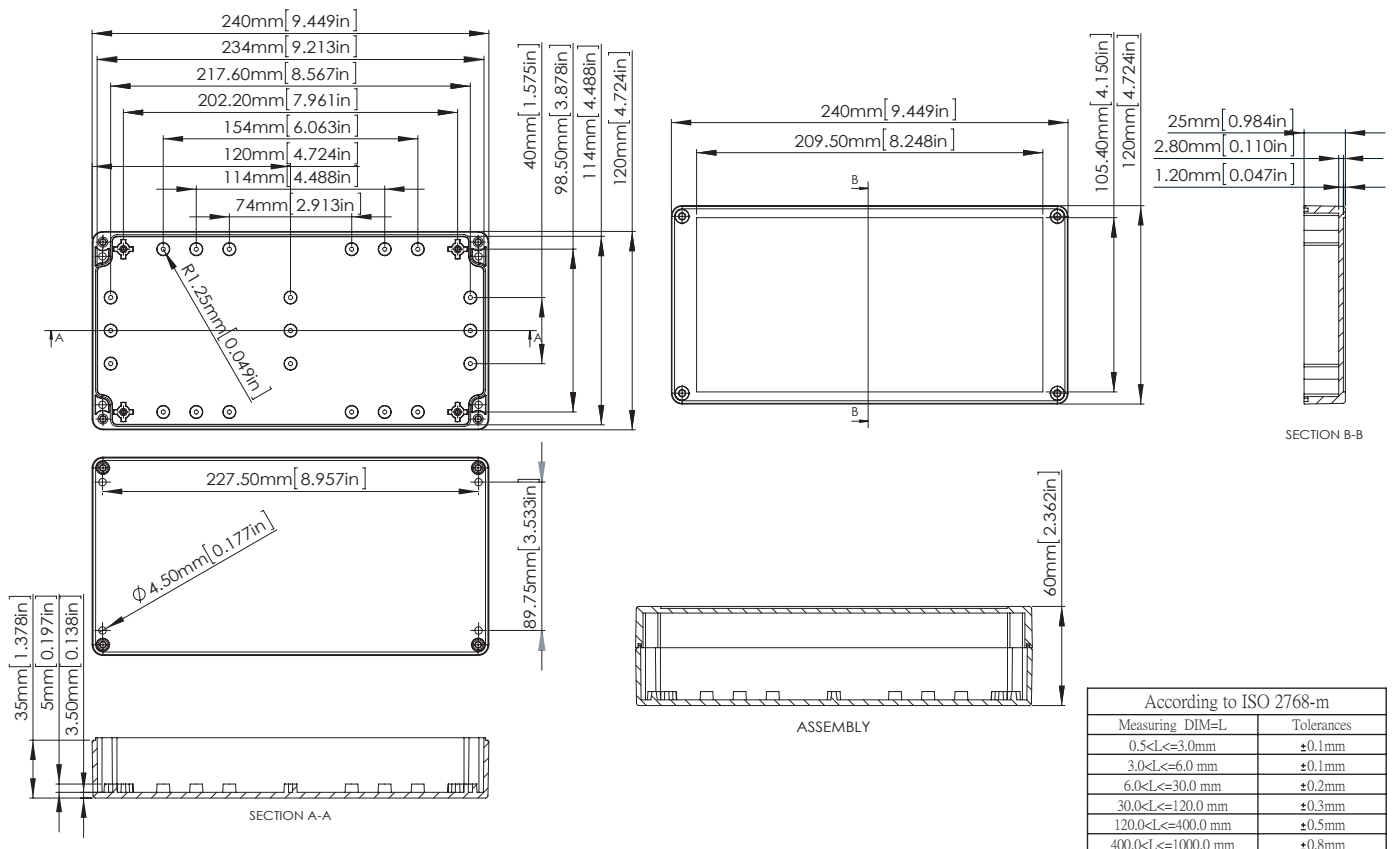
According to ISO 2768-m	
Measuring DIM=L	Tolerances
0.5<L<=3.0mm	±0.1mm
3.0<L<=6.0 mm	±0.1mm
6.0<L<=30.0 mm	±0.2mm
30.0<L<=120.0 mm	±0.3mm
120.0<L<=400.0 mm	±0.5mm
400.0<L<=1000.0 mm	±0.8mm

SECTION A-A
SCALE 2 : 3

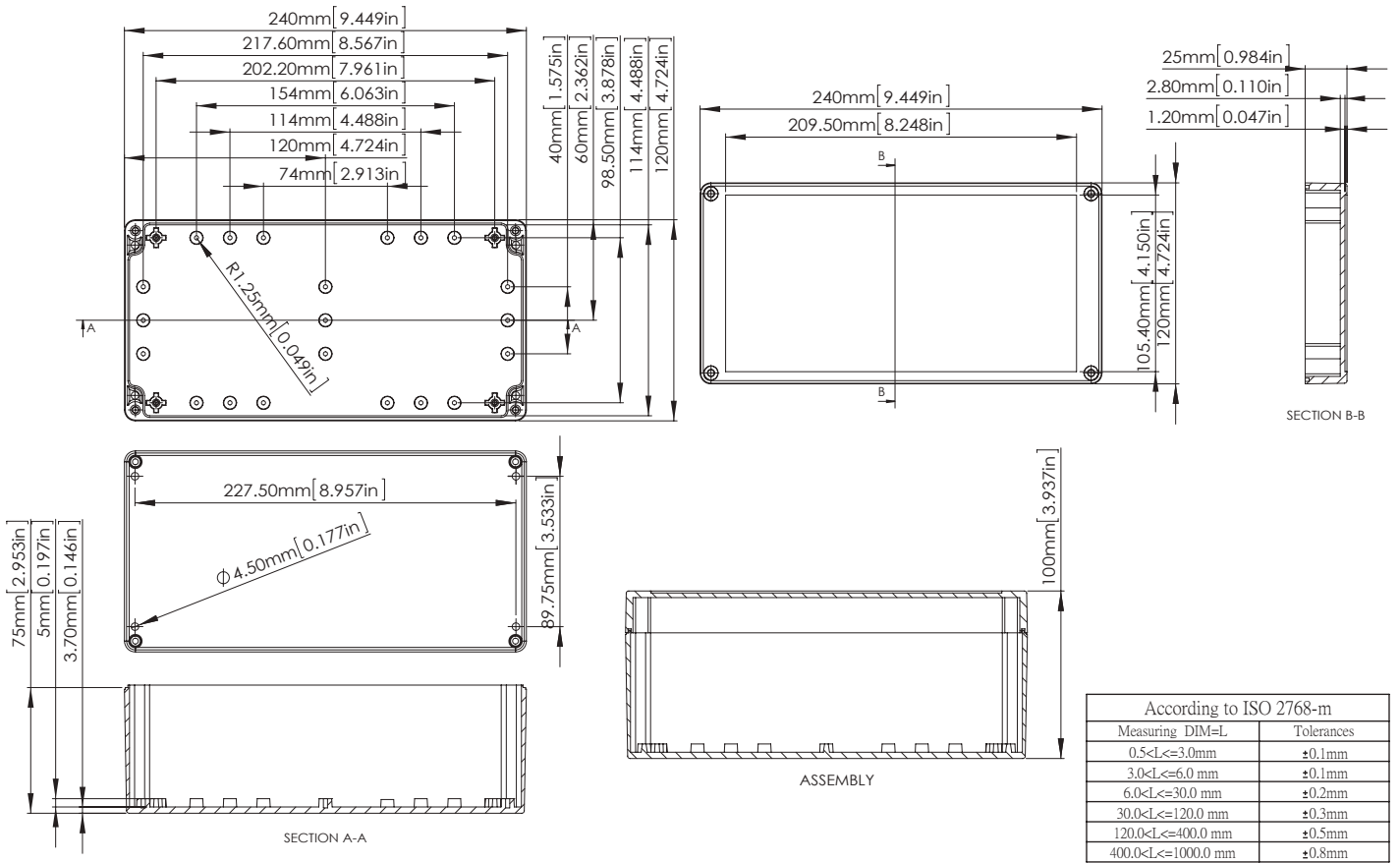
RND 455-00126 / RND 455-00137 / RND 455-00148



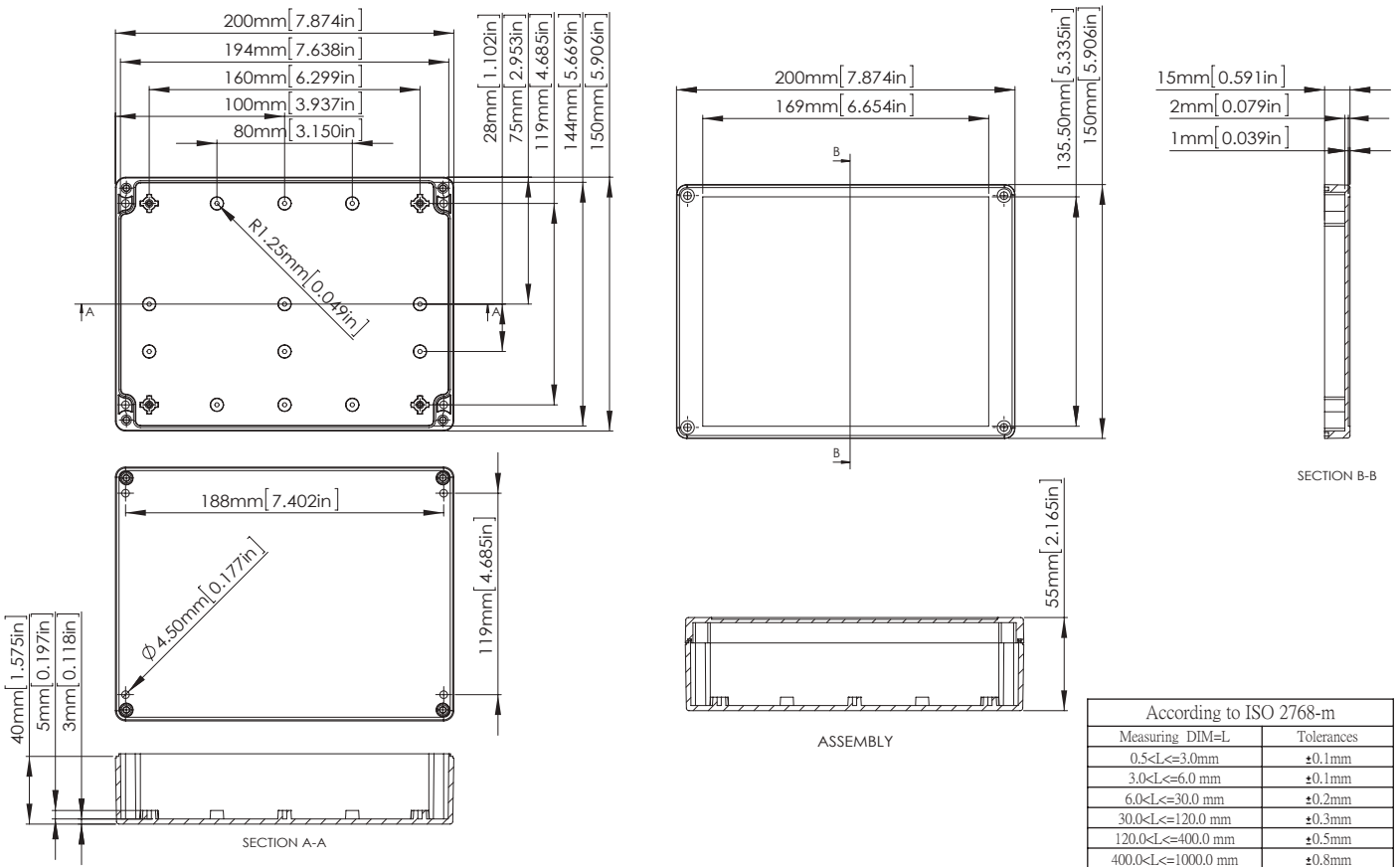
RND 455-00127 / RND 455-00138 / RND 455-00149



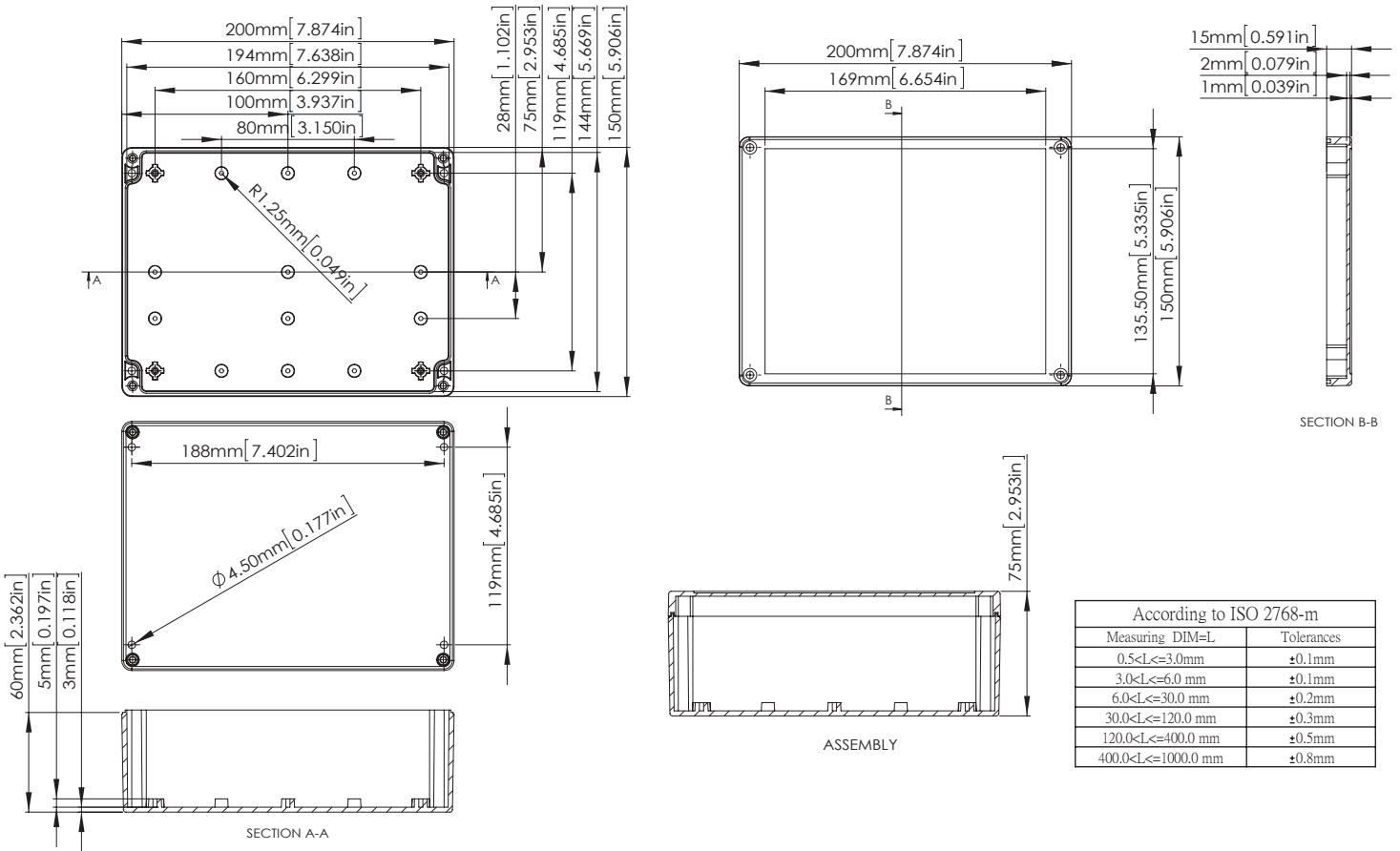
RND 455-00128 / RND 455-00139 / RND 455-00150



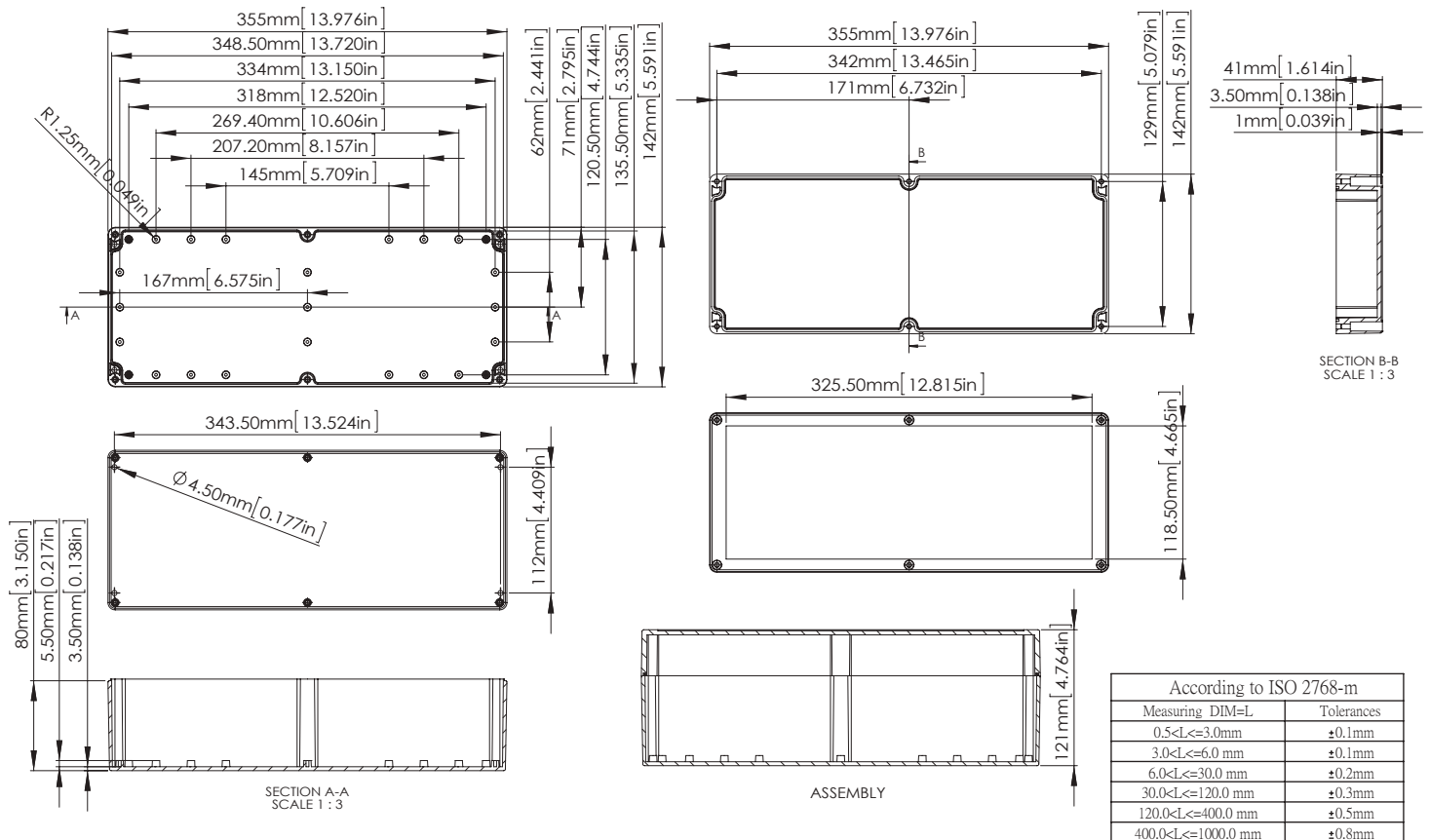
RND 455-00129 / RND 455-00140 / RND 455-00151



RND 455-00130 / RND 455-00141 / RND 455-00152



RND 455-00131 / RND 455-00142 / RND 455-00153



IP65 Sealed Dual-Compartment Enclosures



PRODUCT INFORMATION

- 5 different sizes of wall mounting cases with separate terminal compartment for you to use in measurement & control application.
- These cases are able to be used with din EN60715 rail (35mm).
- Hinge type of transparent cover (left-hand or right-hand hinge) for you to view the terminal, open and close the cover easily.
- Fastening pillars and guide grooves for vertical and horizontal installation of printed circuit boards.
- PG or Metric rated break points are designed for you to use the IP68 cable glands (PG or Metric type) well.

TYPE A



TYPE B



TYPE C



TYPE D





Example: RND 455-00060



PRODUCT INFORMATION

- Material: UL94-V0 rating of PC/ABS (grey base, grey lid, hinge kit)
UL94-V0 rating of Polycarbonate (transparent lid)
- Colour: Light grey, similar to RAL7038 with transparent lid.
- Recommended working temperature: -40°C to +120°C
- Ingress Protection: IP65 certified, EPDM gasket pre-installed.

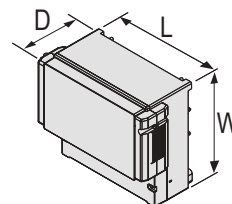
Gasket pre-installed



Transparent lid



Terminal compartment lid



ITEM No.	MATERIAL	EXTERNAL DIMENSION(mm)
RND 455-00060	PC/ABS, UL94-V0	166 x 161 x 93
RND 455-00061	PC/ABS, UL94-V0	166 x 161 x 121
RND 455-00062	PC/ABS, UL94-V0	213 x 185 x 104.5
RND 455-00063	PC/ABS, UL94-V0	256 x 217 x 132.5
RND 455-00064	PC/ABS, UL94-V0	296 x 281 x 158



Example: RND 455-00065



PRODUCT INFORMATION

- Material: UL94-HB rating of ABS (grey base, gray lid, hinge kit)
UL94-HB rating of Polycarbonate (Transparent blue lid)
- Colour: Light grey, similar to RAL 7035 with transparent blue lid.
- Recommended working temperature: -20°C to +80°C
- Ingress Protection: IP65 certified, EPDM gasket pre-installed.

Gasket pre-installed

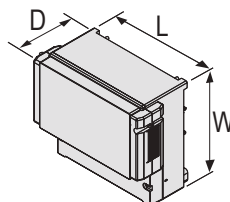


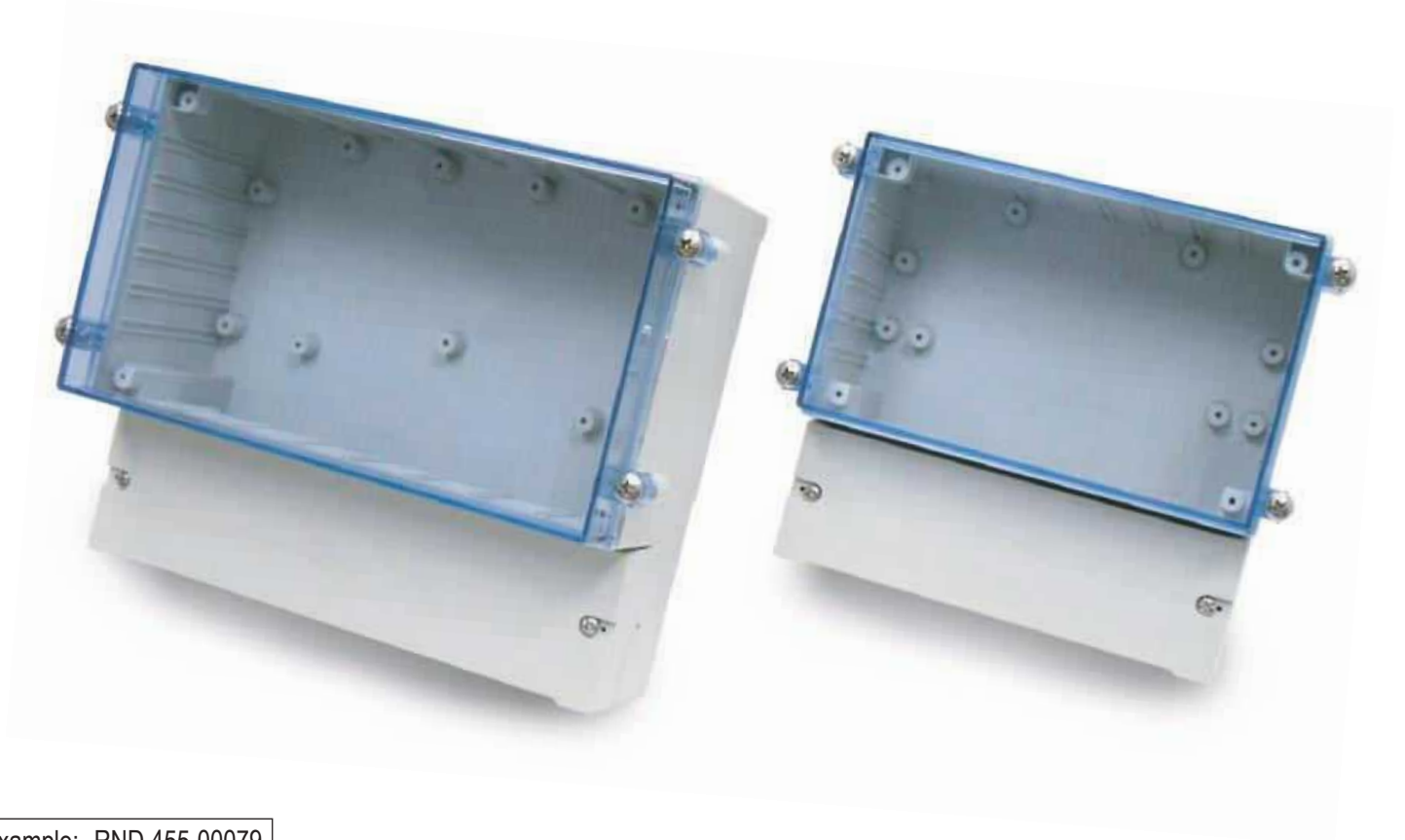
Transparent blue lid



Terminal compartment lid

ITEM No.	MATERIAL	EXTERNAL DIMENSION(mm)
RND 455-00065	ABS, UL94-HB	166 x 161 x 93
RND 455-00066	ABS, UL94-HB	166 x 161 x 121
RND 455-00067	ABS, UL94-HB	213 x 185 x 104.5
RND 455-00068	ABS, UL94-HB	256 x 217 x 132.5
RND 455-00069	ABS, UL94-HB	296 x 281 x 158





Example: RND 455-00079



PRODUCT INFORMATION

- Material: UL94-HB rating of ABS(Grey base, gray lid)
- UL94-HB rating of Polycarbonate(Transparent blue lid)
- Colour: Light grey, similar to RAL 7035 with transparent blue lid.
- Recommended working temperature: -20°C to +80°C. Ingress
- Protection: IP 65 certified, EPDM gasket pre-installed.

Gasket pre-installed

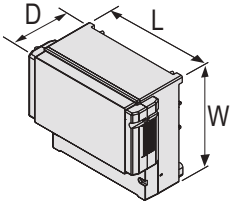


Transparent blue lid



Terminal compartment lid

ITEM No.	MATERIAL	EXTERNAL DIMENSION(mm)
RND 455-00075	ABS, UL94-HB	166 x 161 x 93
RND 455-00076	ABS, UL94-HB	166 x 161 x 121
RND 455-00077	ABS, UL94-HB	213 x 185 x 104.5
RND 455-00078	ABS, UL94-HB	256 x 217 x 132.5
RND 455-00079	ABS, UL94-HB	296 x 281 x 158





Example: RND 455-00072



PRODUCT INFORMATION

- Material: UL94-HB rating of ABS.
- Colour: Light grey, similar to RAL 7035.
- Recommended working temperature: -20°C to +80°C.
- Ingress Protection: IP 65 certified, EPDM gasket pre-installed.

Gasket pre-installed

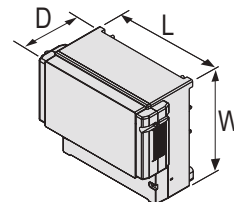


Gray lid



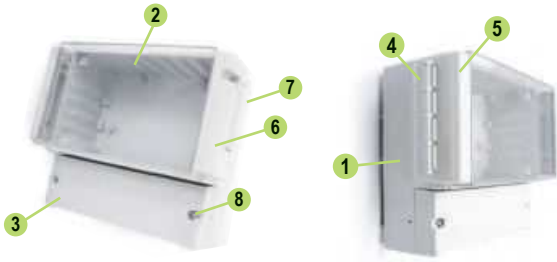
Terminal compartment lid

ITEM No.	MATERIAL	EXTERNAL DIMENSION(mm)
RND 455-00070	ABS, UL94-HB	166 x 161 x 93
RND 455-00071	ABS, UL94-HB	166 x 161 x 121
RND 455-00072	ABS, UL94-HB	213 x 185 x 104.5
RND 455-00073	ABS, UL94-HB	256 x 217 x 132.5
RND 455-00074	ABS, UL94-HB	296 x 281 x 158



Content

TYPE A



1. Cabinets



2. Transparent lid



3. Terminal compartment lid



4. Hinge clip



5. Hinge bar



6. Locking hook



7. Lower locking hook



8. Screws for terminal compartment lid use
remark: M4X25MM
self tapping screws(2pcs)

TYPE B



1. Cabinets



2. Transparent blue lid



3. Terminal compartment lid



4. Hinge clip



5. Hinge bar



6. Locking hook

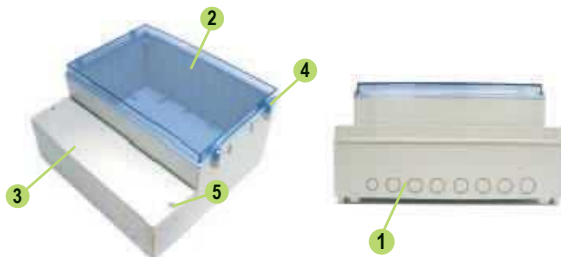


7. Lower locking hook



8. Screws for terminal compartment lid use
remark: M4X25MM
self tapping screws(2pcs)

TYPE C



1. Cabinets



2. Transparent blue lid



3. Terminal compartment lid



4. Screws for transparent blue lid use
remark: M5.5X27MM
self tapping screws(4pcs)



5. Screws for terminal compartment lid use
remark: M4X25MM
self tapping screws(2pcs)

TYPE D



1. Cabinets



2. Grey lid



3. Terminal compartment lid



4. Screws for grey lid use
remark: M5.5X27MM
self tapping screws(4pcs)

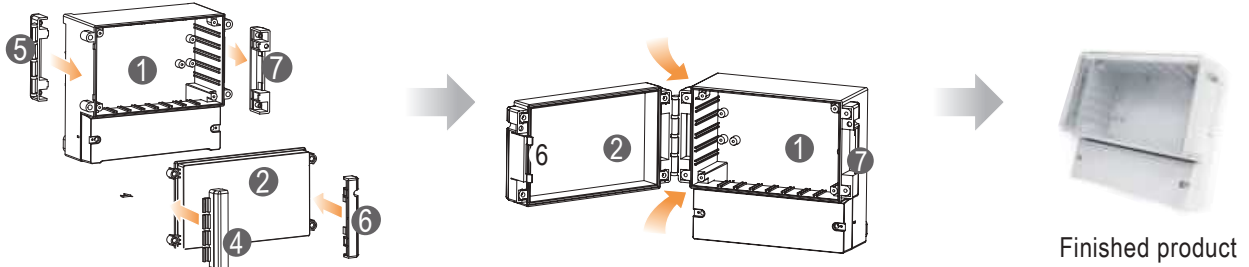


5. Screws for terminal compartment lid use
remark: M4X25MM
self tapping screws(2pcs)

Assembly Instruction

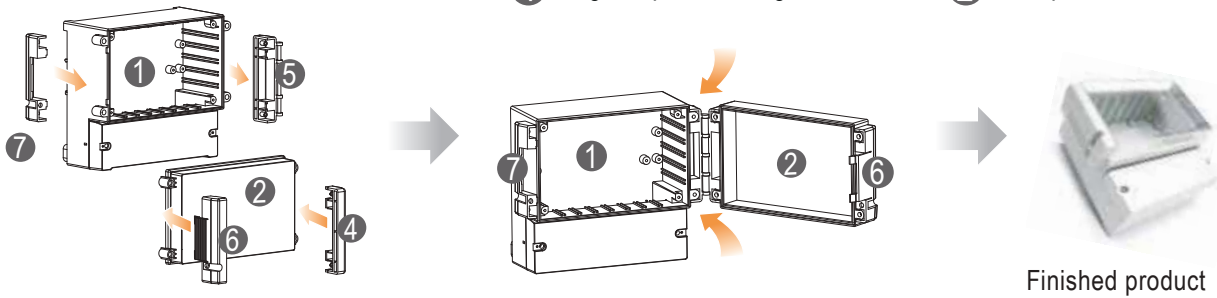
Left-hand hinge

1. To assemble the ⑤ hinge bar on the left side of the ① cabinets.
2. To assemble the ⑦ lower locking hook on the right side of the ① cabinets.
3. To assemble the ④ hinge clip on the left side of the ② transparent lid.
4. To assemble the ⑥ locking hook on the right side of the ② transparent lid.



Right-hand hinge

1. To assemble the ⑦ lower locking hook on the left side of the ① cabinets.
2. To assemble the ⑤ hinge bar on the right side of the ① cabinets.
3. To assemble the ⑥ locking hook on the left side of the ② transparent lid.
4. To assemble the ④ hinge clip on the right side of the ② transparent lid.



Other Features

Mounting brackets (Optional)
Can be assembled with the mounting brackets.



RND 455-00485(4PCS)



* Optional

Designed to assemble with the IP68 cable glands (PG or Metric type).



1. For PG 9 or M12 use.
2. For PG11 or M16 use.
3. For PG11 or M16 use.
4. For PG13.5 or M20 use.



For PG11 or M16 use.

Din EN60715 rail (35mm)

Can be assembled with the din EN60715 rail (35mm).



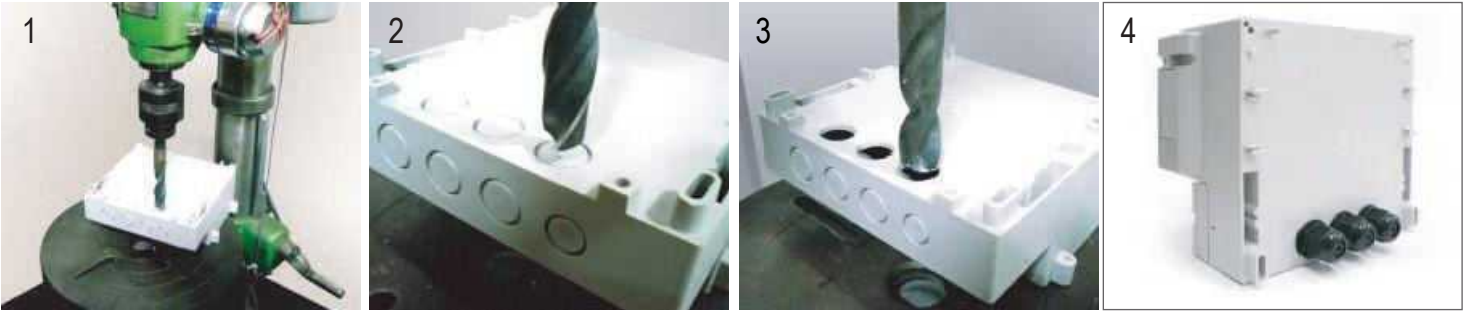
* not supply

Designed to assemble with the lock

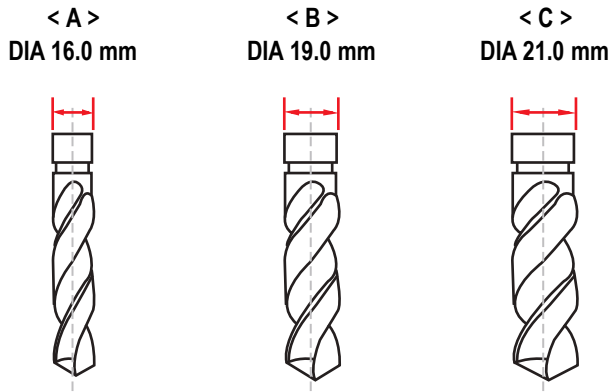


* not supply

Example for the Drilling and Assembly of the Cable Glands and Plastic Boxes

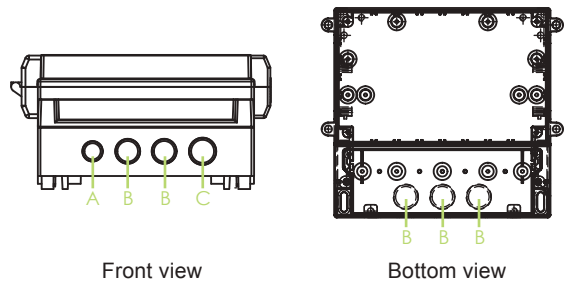


Recommended bit size

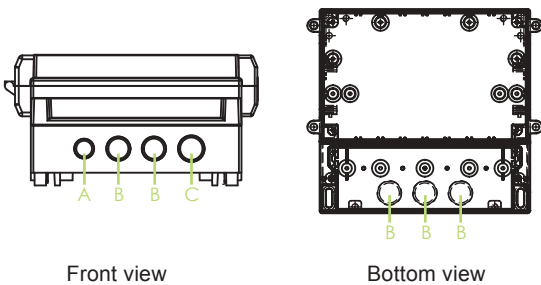


	Recommended bit size	Cable Gland
A	DIA 16.0 mm	PG9 (or M12)
B	DIA 19.0 mm	PG11 (or M16)
C	DIA 21.0 mm	PG13.5 (or M20)

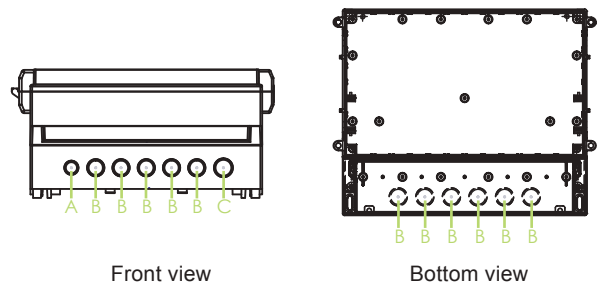
RND 455-00060, RND 455-00065, RND 455-00070, RND 455-00075



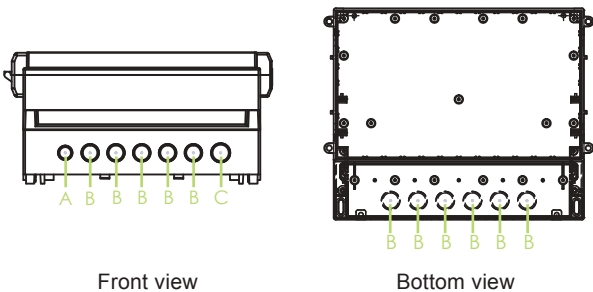
RND 455-00061, RND 455-00066, RND 455-00071, RND 455-00076



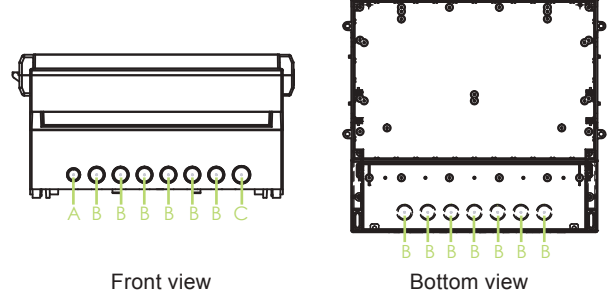
RND 455-00062, RND 455-00067, RND 455-00072, RND 455-00077



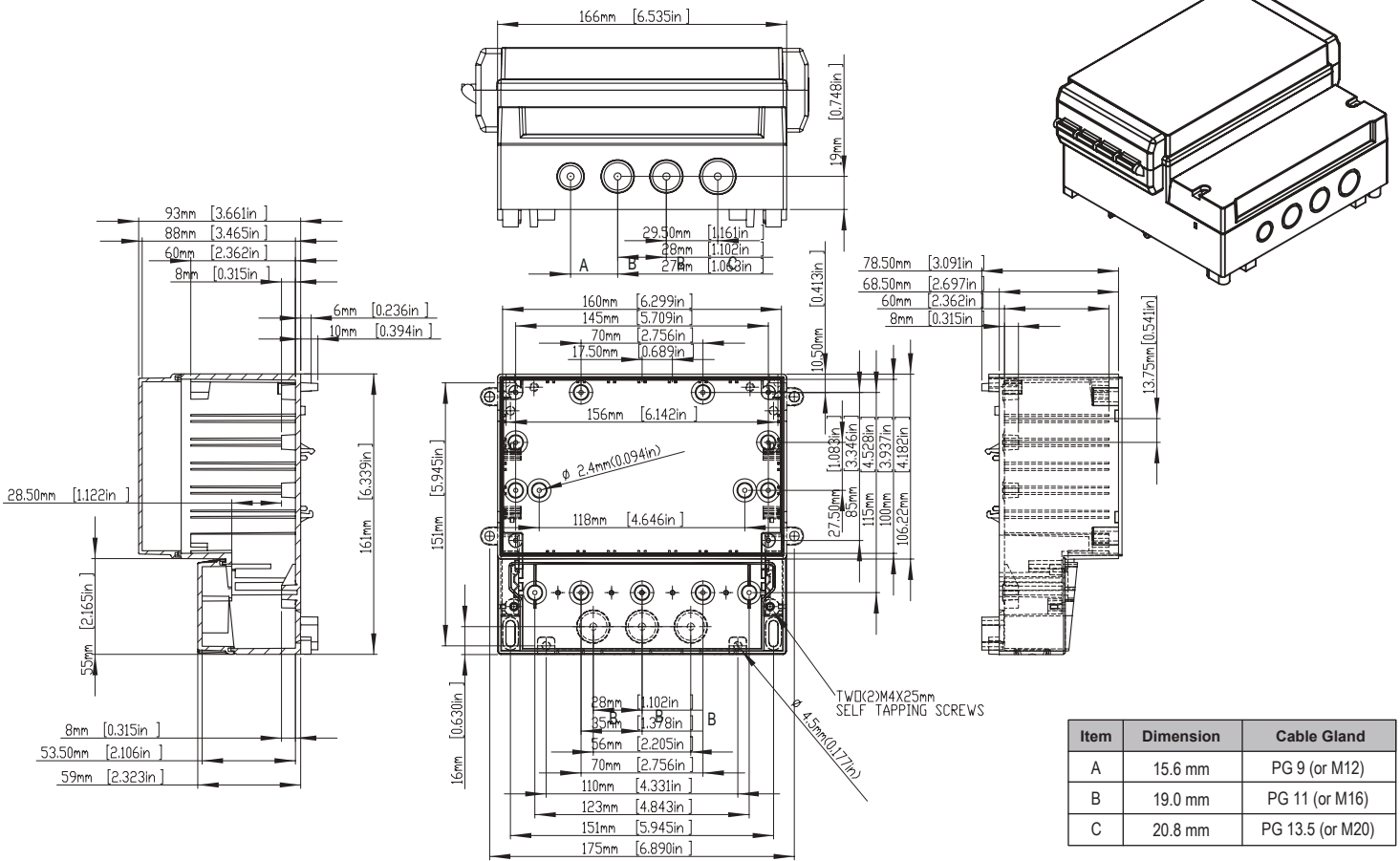
RND 455-00063, RND 455-00068, RND 455-00073, RND 455-00078



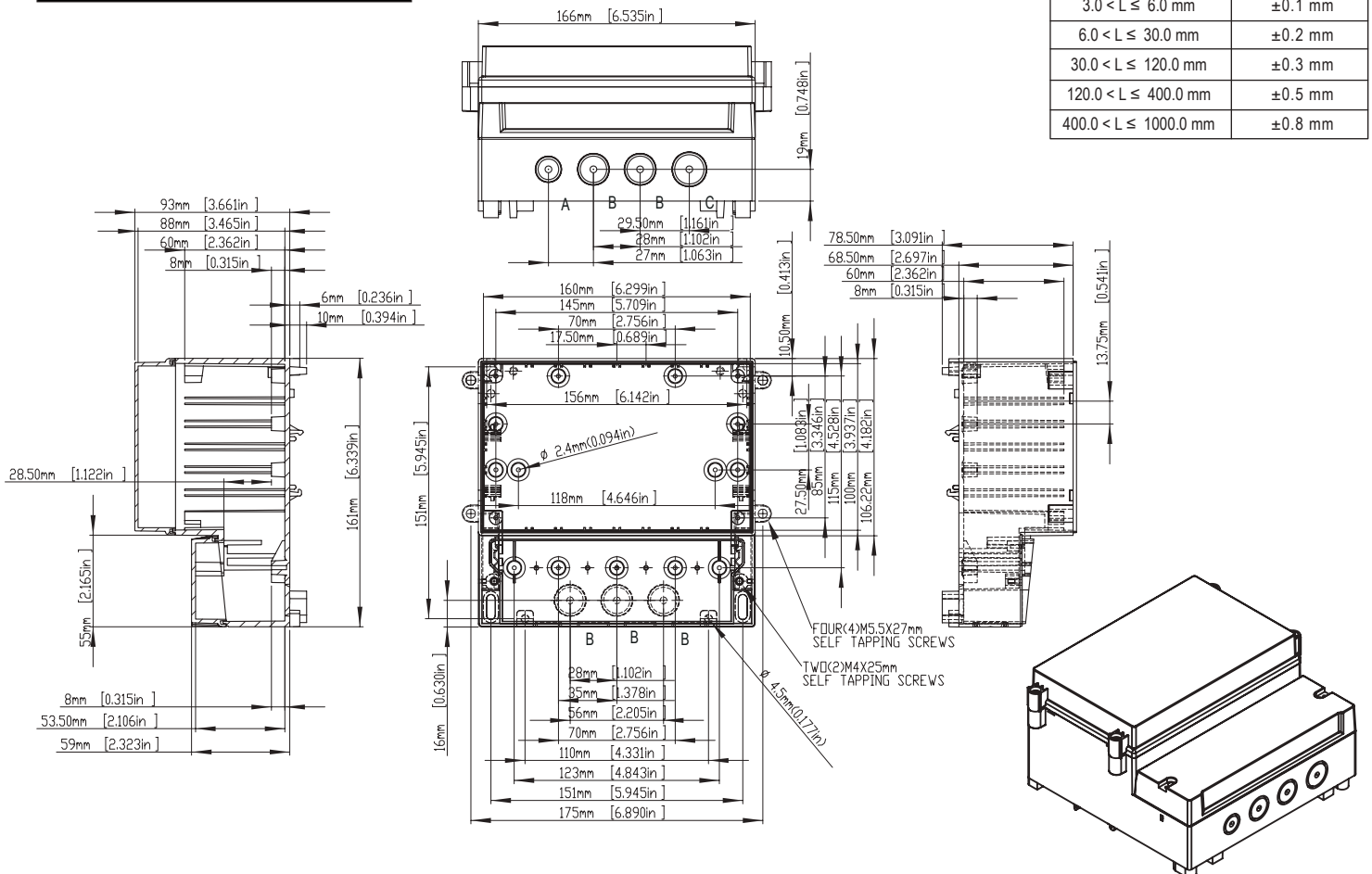
RND 455-00064, RND 455-00069, RND 455-00074, RND 455-00079



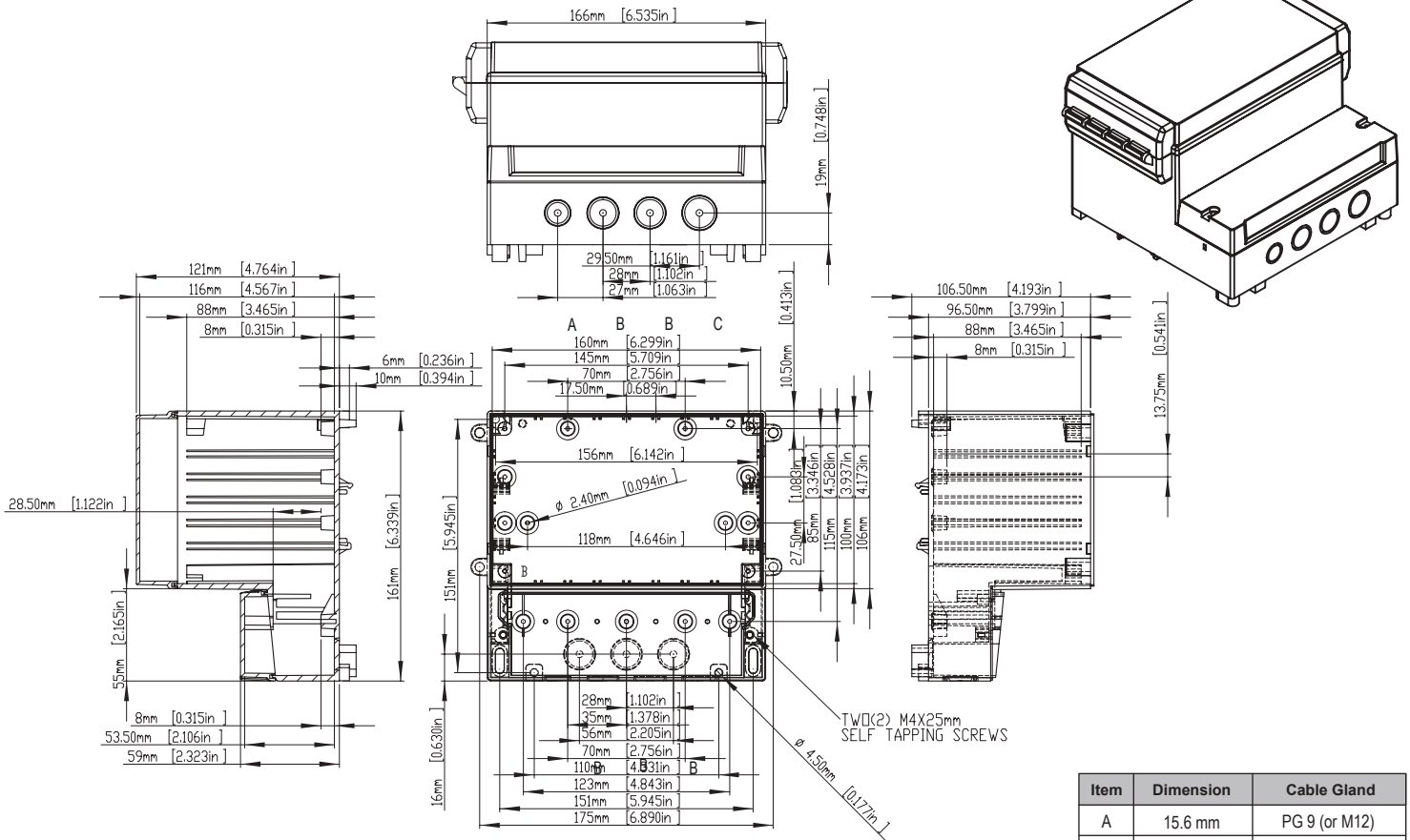
RND 455-00060 / RND 455-00065



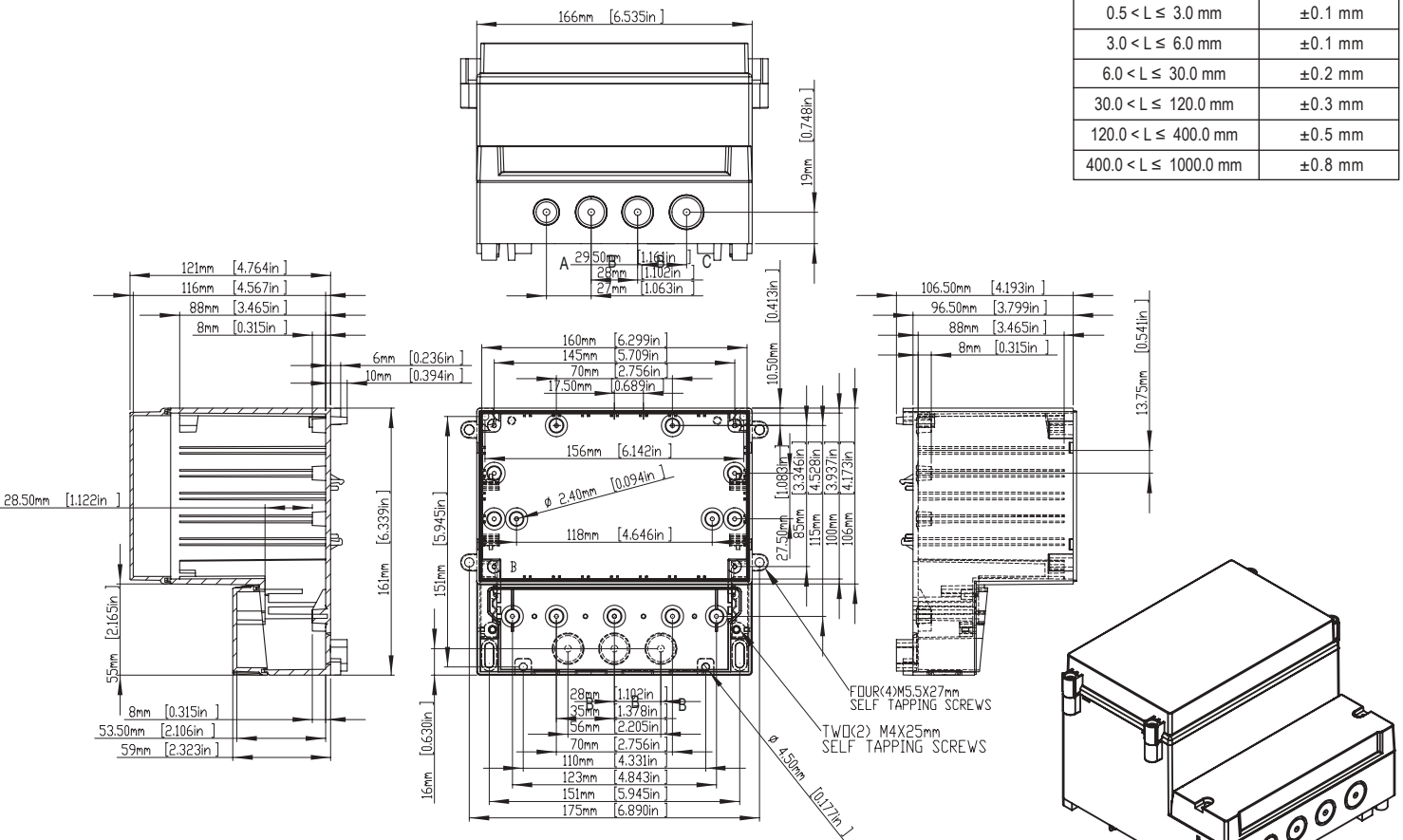
RND 455-00075 / RND 455-00070



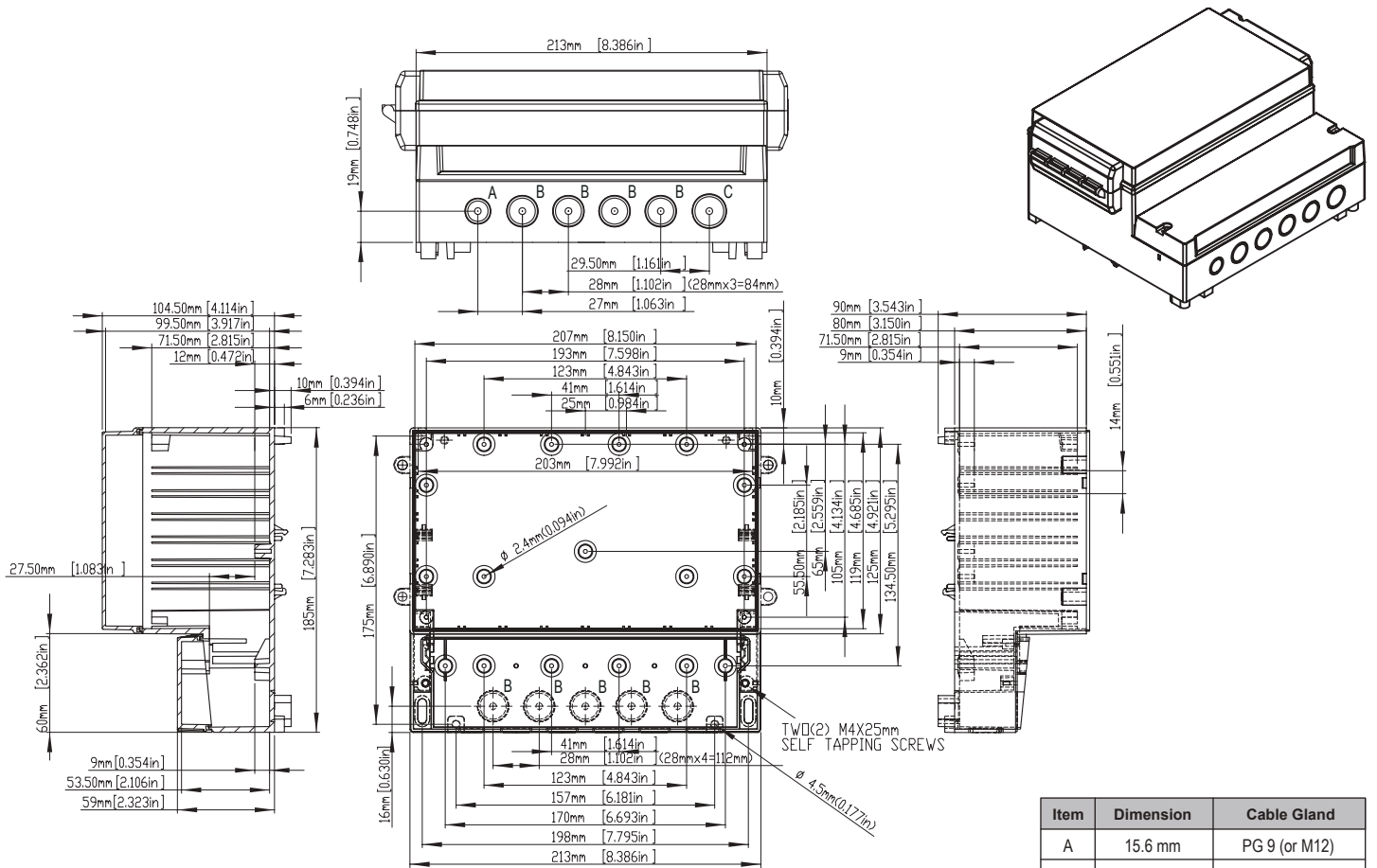
RND 455-00061 / RND 455-00066



RND 455-00076 / RND 455-00071

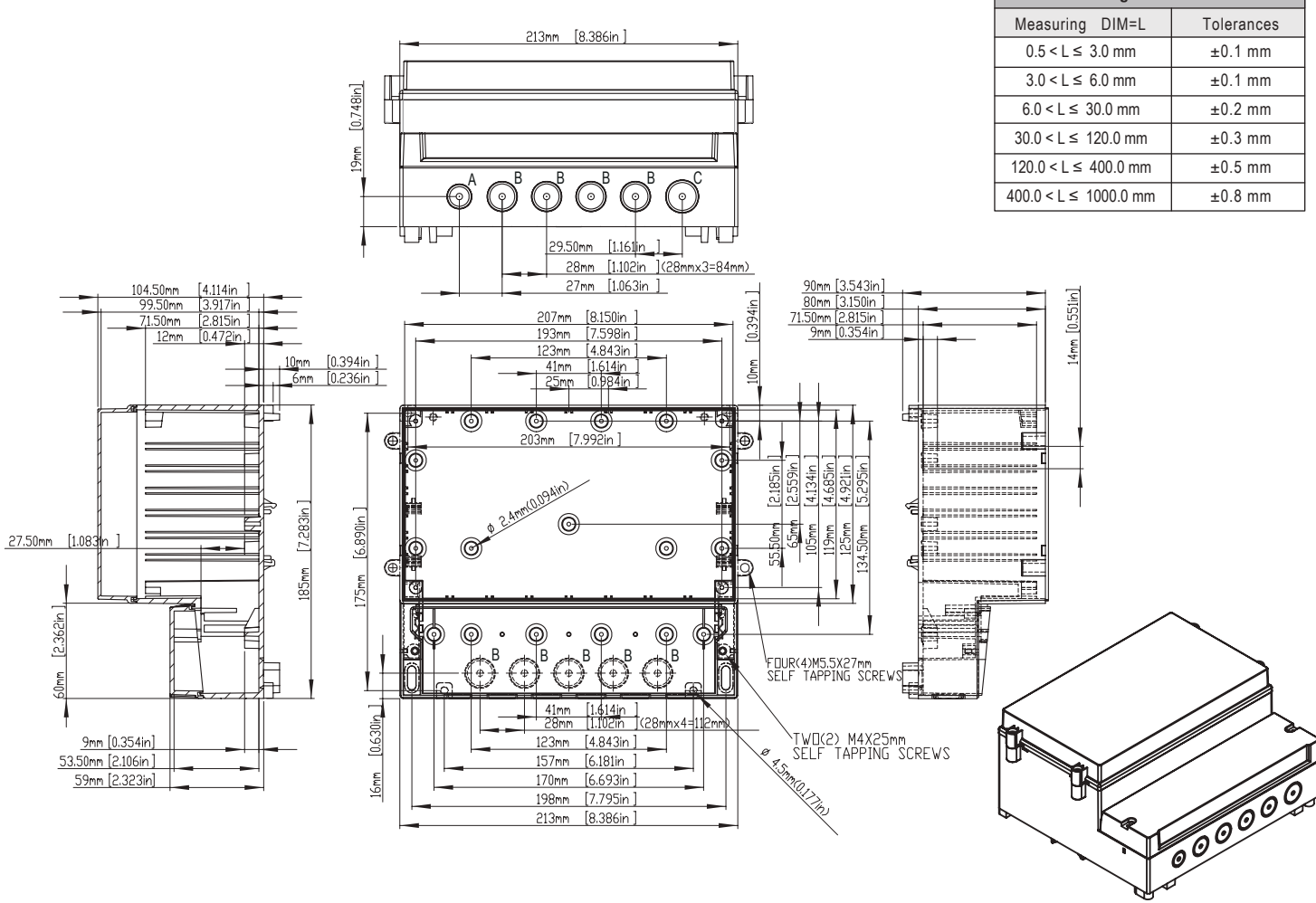


RND 455-00062 / RND 455-00067



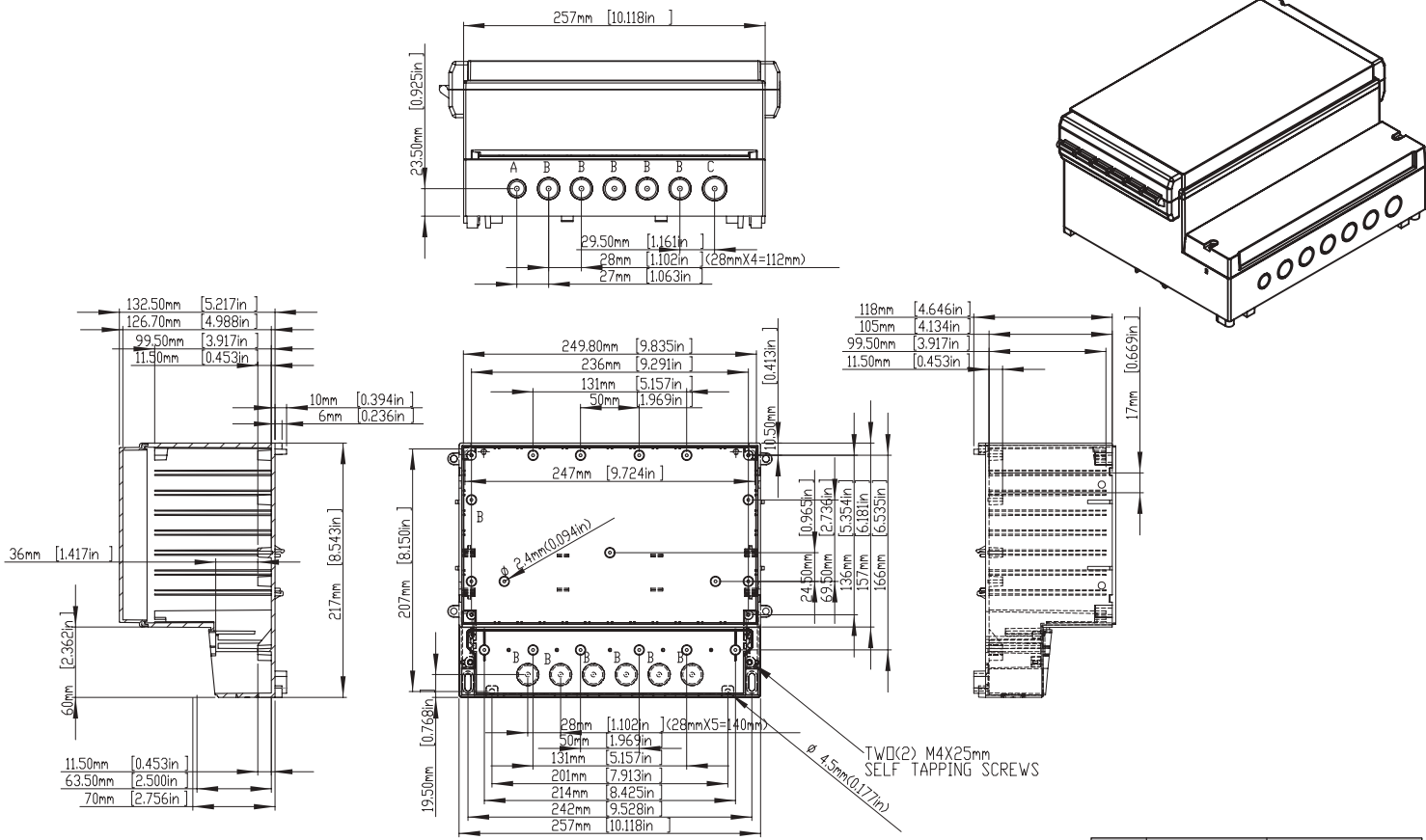
Item	Dimension	Cable Gland
A	15.6 mm	PG 9 (or M12)
B	19.0 mm	PG 11 (or M16)
C	20.8 mm	PG 13.5 (or M20)

RND 455-00077 / RND 455-00072



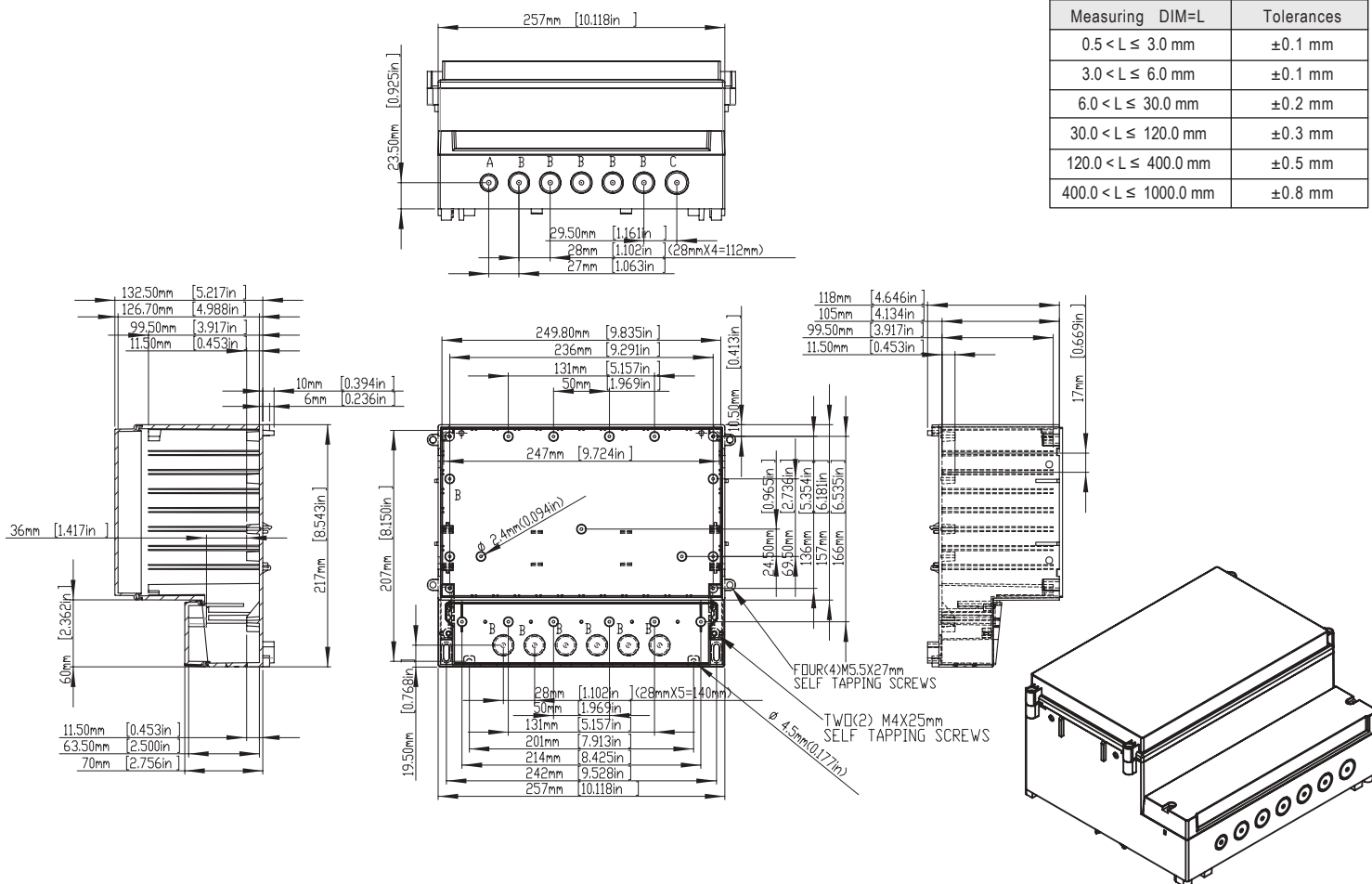
According to ISO 2768-m	
Measuring DIM=L	Tolerances
0.5 < L ≤ 3.0 mm	±0.1 mm
3.0 < L ≤ 6.0 mm	±0.1 mm
6.0 < L ≤ 30.0 mm	±0.2 mm
30.0 < L ≤ 120.0 mm	±0.3 mm
120.0 < L ≤ 400.0 mm	±0.5 mm
400.0 < L ≤ 1000.0 mm	±0.8 mm

RND 455-00063 / RND 455-00068



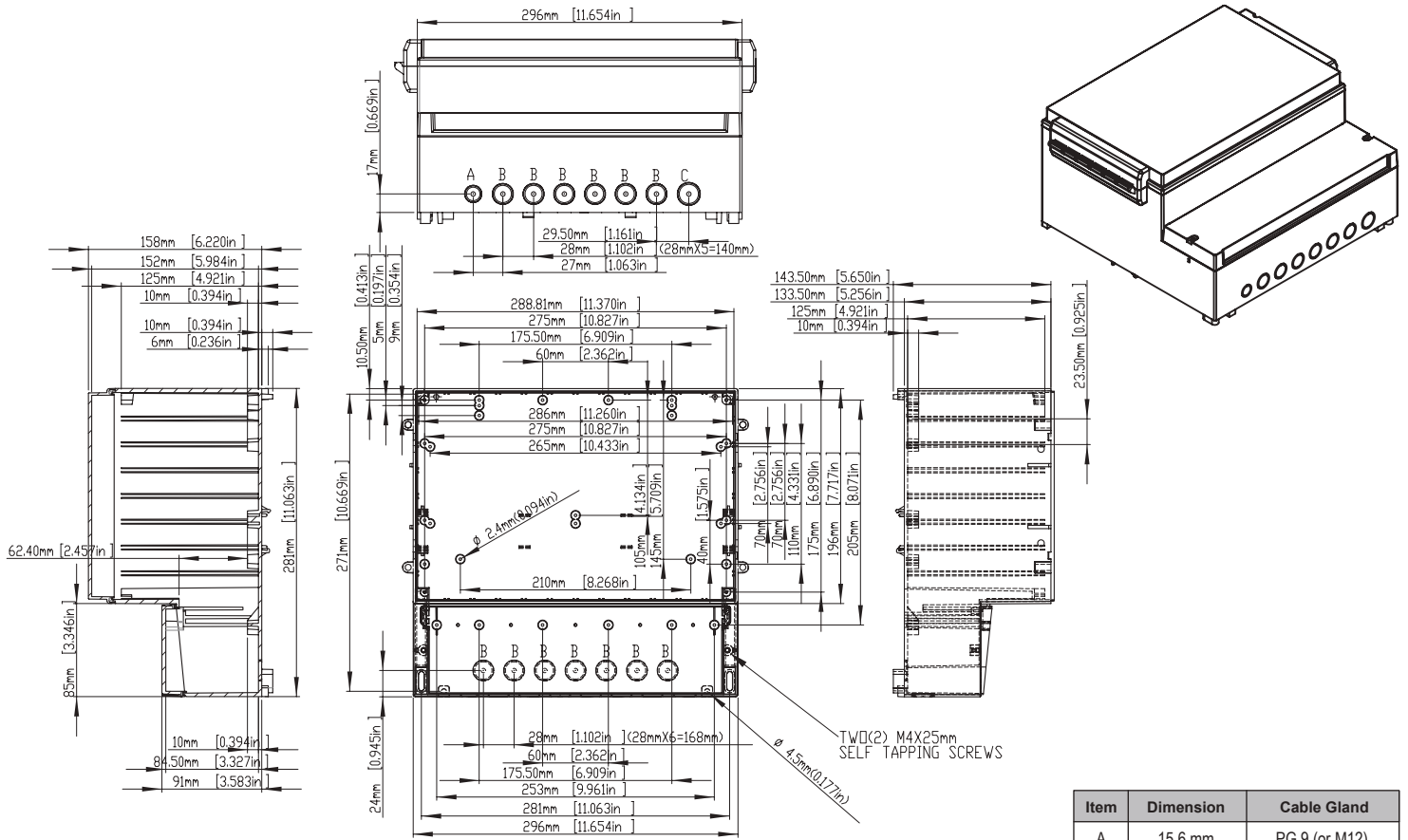
Item	Dimension	Cable Gland
A	15.6 mm	PG 9 (or M12)
B	19.0 mm	PG 11 (or M16)
C	20.8 mm	PG 13.5 (or M20)

RND 455-00078 / RND 455-00073



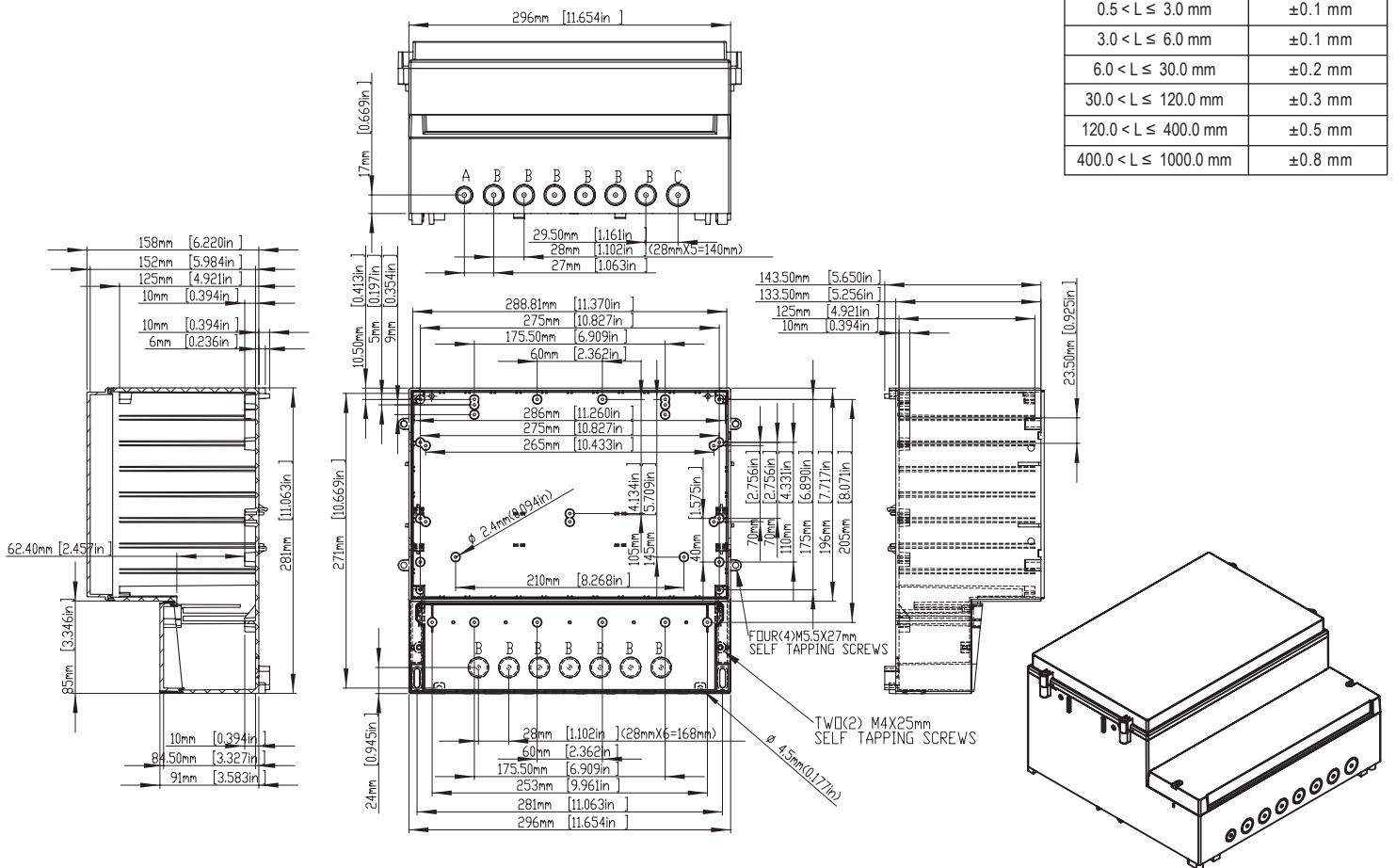
According to ISO 2768-m	
Measuring DIM=L	Tolerances
0.5 < L ≤ 3.0 mm	±0.1 mm
3.0 < L ≤ 6.0 mm	±0.1 mm
6.0 < L ≤ 30.0 mm	±0.2 mm
30.0 < L ≤ 120.0 mm	±0.3 mm
120.0 < L ≤ 400.0 mm	±0.5 mm
400.0 < L ≤ 1000.0 mm	±0.8 mm

RND 455-00064 / RND 455-00069



Item	Dimension	Cable Gland
A	15.6 mm	PG 9 (or M12)
B	19.0 mm	PG 11 (or M16)
C	20.8 mm	PG 13.5 (or M20)

RND 455-00079 / RND 455-00074



According to ISO 2768-m	
Measuring DIM=L	Tolerances
0.5 < L ≤ 3.0 mm	±0.1 mm
3.0 < L ≤ 6.0 mm	±0.1 mm
6.0 < L ≤ 30.0 mm	±0.2 mm
30.0 < L ≤ 120.0 mm	±0.3 mm
120.0 < L ≤ 400.0 mm	±0.5 mm
400.0 < L ≤ 1000.0 mm	±0.8 mm

Plastic Utility Enclosures



PRODUCT INFORMATION

MATERIAL: High impact UL94-HB, ABS.

FEATURES:

- Ideally designed for small printed circuit board use or used as potting box.
- Snap fit cover with the base of design is easy for assembly.
- Flanged base with mounting holes for customer to do the wall mounting easily.
- Cable outlet are designed in the cover , easily use the cutter to open.
- Durable UL94-V0 rating of abs or polycarbonate are available upon request.
- Four different colors for selection -----



Colour: Black (Pantone Black U)



Colour: White (RAL9002)



Colour: Orange (Pantone 165C)



Colour: Red (Pantone 186C)

(Colour: Black)



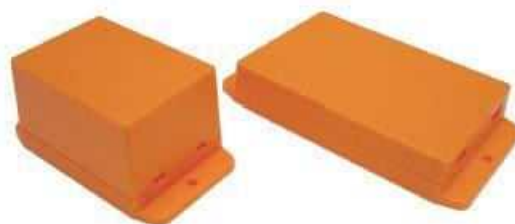
ITEM No.	COLOUR	MATERIAL	EXTERNAL DIMENSION(mm)			Suitable cable diameter in mm for use in the cable outlet
			LENGTH	WIDTH	HEIGHT	
RND 455-00303	Black	ABS, UL94-HB	50	35.4	22	2 CORE , 3 MM
RND 455-00304	Black	ABS, UL94-HB	50	50.4	17	2 CORE , 3 MM
RND 455-00305	Black	ABS, UL94-HB	50	50.4	27	2 CORE , 3 MM
RND 455-00306	Black	ABS, UL94-HB	70	50.4	17	2 CORE , 3 MM
RND 455-00307	Black	ABS, UL94-HB	70	50.4	29.5	2 CORE , 3 MM
RND 455-00308	Black	ABS, UL94-HB	70	50.4	42	2 CORE , 3 MM
RND 455-00313	Black	ABS, UL94-HB	80	80.6	23.5	2 CORE , 3 MM
RND 455-00314	Black	ABS, UL94-HB	80	80.6	43.5	2 CORE , 6 MM
RND 455-00309	Black	ABS, UL94-HB	90	45.6	27.5	2 CORE , 6 MM
RND 455-00310	Black	ABS, UL94-HB	105	70.6	20.5	2 CORE , 6 MM
RND 455-00311	Black	ABS, UL94-HB	105	70.6	35.5	2 CORE , 6 MM
RND 455-00312	Black	ABS, UL94-HB	105	70.6	50.5	2 CORE , 6 MM

(Colour: White)



ITEM No.	COLOUR	MATERIAL	EXTERNAL DIMENSION(mm)			Suitable cable diameter in mm for use in the cable outlet
			LENGTH	WIDTH	HEIGHT	
RND 455-00315	White	ABS, UL94-HB	50	35.4	22	2 CORE , 3 MM
RND 455-00316	White	ABS, UL94-HB	50	50.4	17	2 CORE , 3 MM
RND 455-00317	White	ABS, UL94-HB	50	50.4	27	2 CORE , 3 MM
RND 455-00318	White	ABS, UL94-HB	70	50.4	17	2 CORE , 3 MM
RND 455-00319	White	ABS, UL94-HB	70	50.4	29.5	2 CORE , 3 MM
RND 455-00320	White	ABS, UL94-HB	70	50.4	42	2 CORE , 3 MM
RND 455-00325	White	ABS, UL94-HB	80	80.6	23.5	2 CORE , 3 MM
RND 455-00326	White	ABS, UL94-HB	80	80.6	43.5	2 CORE , 6 MM
RND 455-00321	White	ABS, UL94-HB	90	45.6	27.5	2 CORE , 6 MM
RND 455-00322	White	ABS, UL94-HB	105	70.6	20.5	2 CORE , 6 MM
RND 455-00323	White	ABS, UL94-HB	105	70.6	35.5	2 CORE , 6 MM
RND 455-00324	White	ABS, UL94-HB	105	70.6	50.5	2 CORE , 6 MM

(Colour: Orange)



ITEM No.	COLOUR	MATERIAL	EXTERNAL DIMENSION(mm)			Suitable cable diameter in mm for use in the cable outlet
			LENGTH	WIDTH	HEIGHT	
RND 455-00327	Orange	ABS, UL94-HB	50	35.4	22	2 CORE , 3 MM
RND 455-00328	Orange	ABS, UL94-HB	50	50.4	17	2 CORE , 3 MM
RND 455-00329	Orange	ABS, UL94-HB	50	50.4	27	2 CORE , 3 MM
RND 455-00330	Orange	ABS, UL94-HB	70	50.4	17	2 CORE , 3 MM
RND 455-00331	Orange	ABS, UL94-HB	70	50.4	29.5	2 CORE , 3 MM
RND 455-00332	Orange	ABS, UL94-HB	70	50.4	42	2 CORE , 3 MM
RND 455-00337	Orange	ABS, UL94-HB	80	80.6	23.5	2 CORE , 3 MM
RND 455-00338	Orange	ABS, UL94-HB	80	80.6	43.5	2 CORE , 6 MM
RND 455-00333	Orange	ABS, UL94-HB	90	45.6	27.5	2 CORE , 6 MM
RND 455-00334	Orange	ABS, UL94-HB	105	70.6	20.5	2 CORE , 6 MM
RND 455-00335	Orange	ABS, UL94-HB	105	70.6	35.5	2 CORE , 6 MM
RND 455-00336	Orange	ABS, UL94-HB	105	70.6	50.5	2 CORE , 6 MM

(Colour: Red)

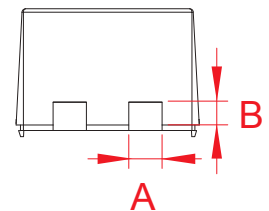
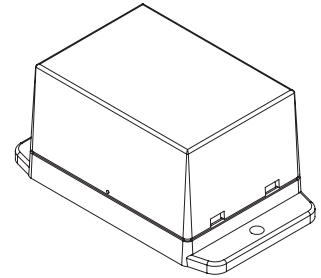


ITEM No.	COLOUR	MATERIAL	EXTERNAL DIMENSION(mm)			Suitable cable diameter in mm for use in the cable outlet
			LENGTH	WIDTH	HEIGHT	
RND 455-00339	Red	ABS, UL94-HB	50	35.4	22	2 CORE , 3 MM
RND 455-00340	Red	ABS, UL94-HB	50	50.4	17	2 CORE , 3 MM
RND 455-00341	Red	ABS, UL94-HB	50	50.4	27	2 CORE , 3 MM
RND 455-00342	Red	ABS, UL94-HB	70	50.4	17	2 CORE , 3 MM
RND 455-00343	Red	ABS, UL94-HB	70	50.4	29.5	2 CORE , 3 MM
RND 455-00344	Red	ABS, UL94-HB	70	50.4	42	2 CORE , 3 MM
RND 455-00349	Red	ABS, UL94-HB	80	80.6	23.5	2 CORE , 3 MM
RND 455-00350	Red	ABS, UL94-HB	80	80.6	43.5	2 CORE , 6 MM
RND 455-00345	Red	ABS, UL94-HB	90	45.6	27.5	2 CORE , 6 MM
RND 455-00346	Red	ABS, UL94-HB	105	70.6	20.5	2 CORE , 6 MM
RND 455-00347	Red	ABS, UL94-HB	105	70.6	35.5	2 CORE , 6 MM
RND 455-00348	Red	ABS, UL94-HB	105	70.6	50.5	2 CORE , 6 MM

How to Well Cut the Cable Outlet

Hole dimension of the cable outlet (mm)

ITEM No.	A	B	Suitable cable diameter in mm for use in the cable outlet
RND 455-00303/RND 455-00315/RND 455-00327/RND 455-00339	6 mm	3 mm	2 CORE, 3 MM
RND 455-00304/RND 455-00316/RND 455-00328/RND 455-00340	6 mm	3 mm	2 CORE, 3 MM
RND 455-00305/RND 455-00317/RND 455-00329/RND 455-00341	6 mm	3 mm	2 CORE, 3 MM
RND 455-00306/RND 455-00318/RND 455-00330/RND 455-00342	6 mm	3 mm	2 CORE, 3 MM
RND 455-00307/RND 455-00319/RND 455-00330/RND 455-00343	6 mm	3 mm	2 CORE, 3 MM
RND 455-00309/RND 455-00321/RND 455-00333/RND 455-00345	6 mm	3 mm	2 CORE, 3 MM
RND 455-00308/RND 455-00320/RND 455-00332/RND 455-00344	6 mm	3 mm	2 CORE, 3 MM
RND 455-00310/RND 455-00322/RND 455-00334/RND 455-00346	12 mm	6 mm	2 CORE, 6 MM
RND 455-00311/RND 455-00323/RND 455-00335/RND 455-00347	12 mm	6 mm	2 CORE, 6 MM
RND 455-00312/RND 455-00324/RND 455-00336/RND 455-00348	12 mm	6 mm	2 CORE, 6 MM
RND 455-00313/RND 455-00325/RND 455-00337/RND 455-00349	12 mm	6 mm	2 CORE, 6 MM
RND 455-00314/RND 455-00326/RND 455-00338/RND 455-00350	12 mm	6 mm	2 CORE, 6 MM



1. Select a suitable cable cutter



2. Press the "o" position of the cover, and open the box.



3. Use the cutter to cut one side of cable outlet



4. Cut another side of cable outlet

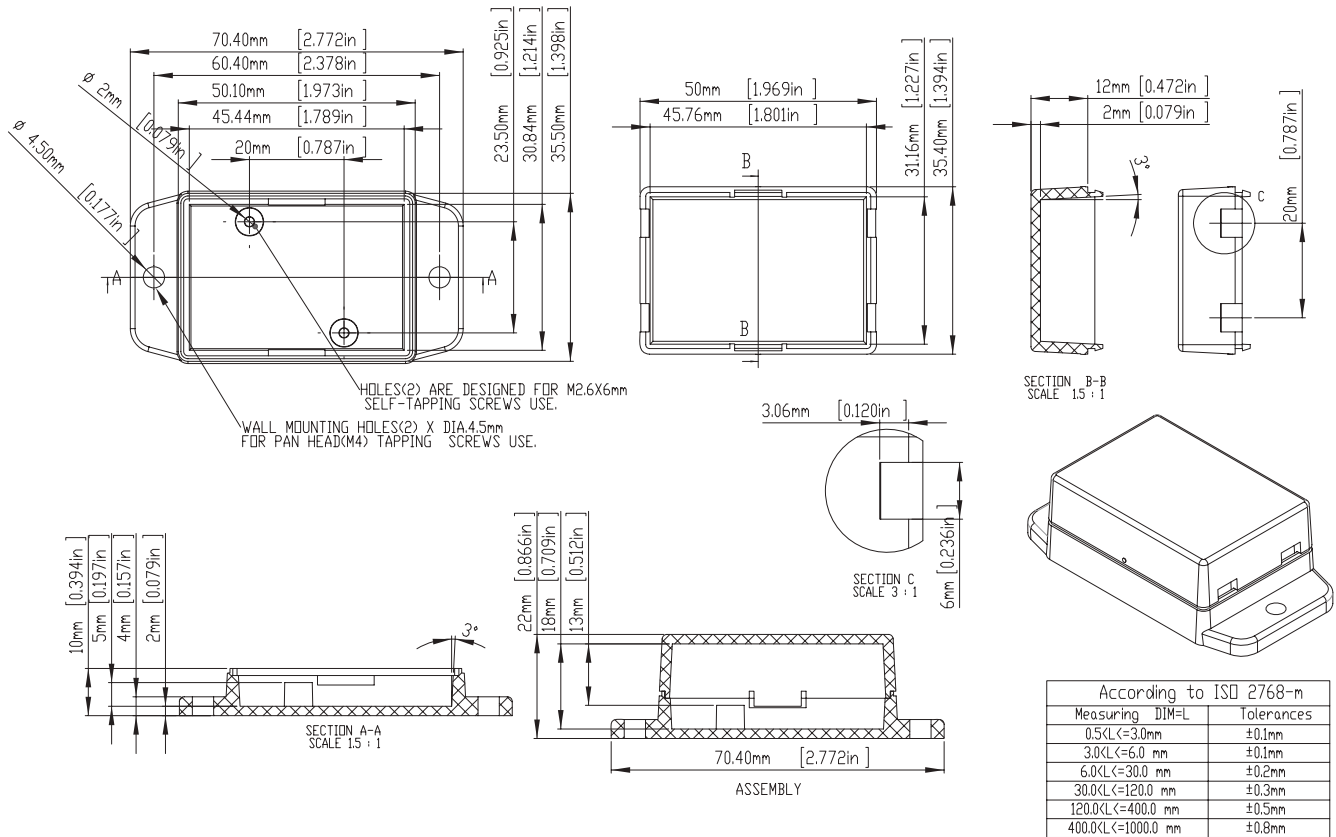


5. Use the finger to bend additional material of the cable outlet

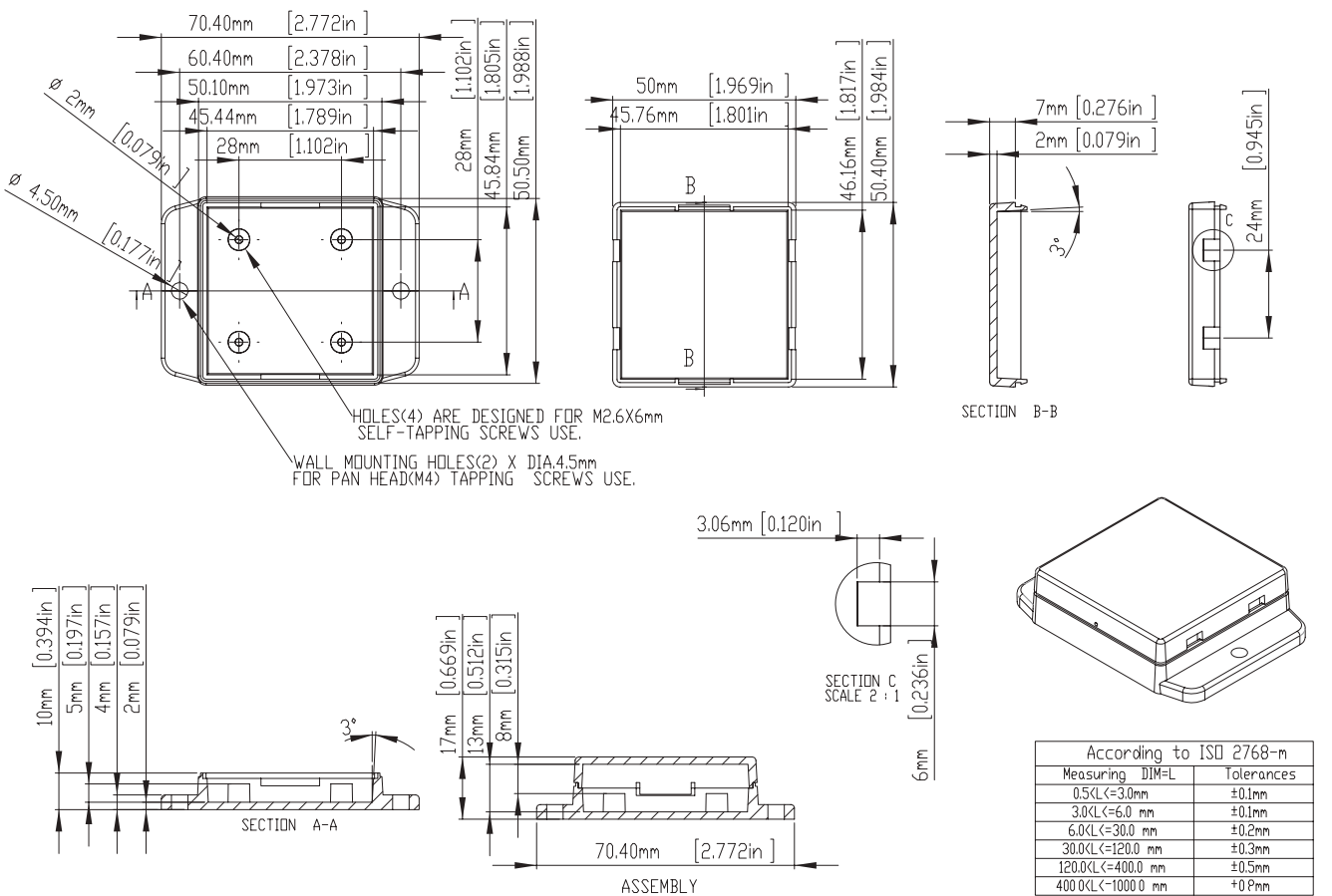


6. Done

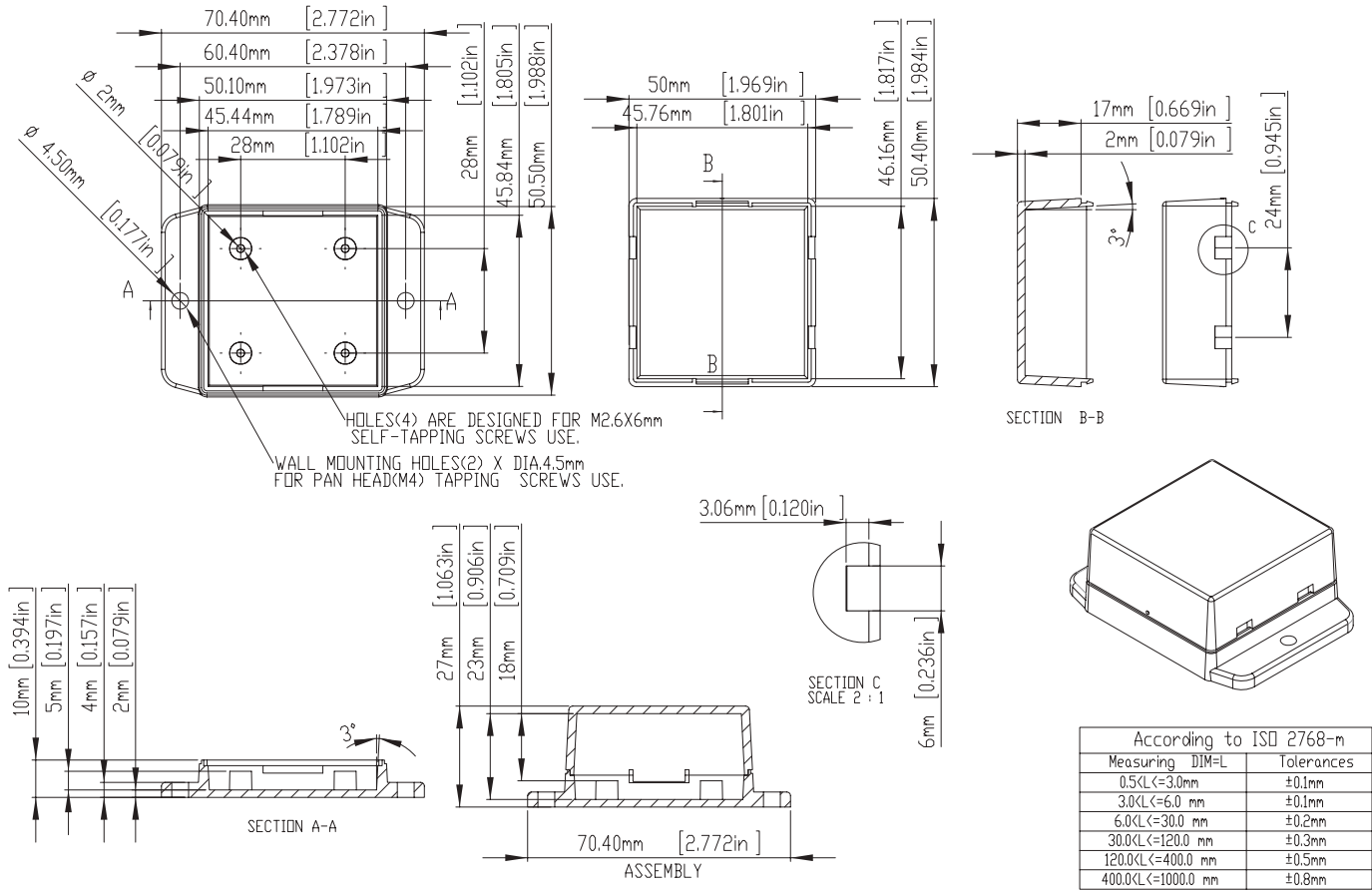
RND 455-00303/RND 455-00315/RND 455-00327/RND 455-00339



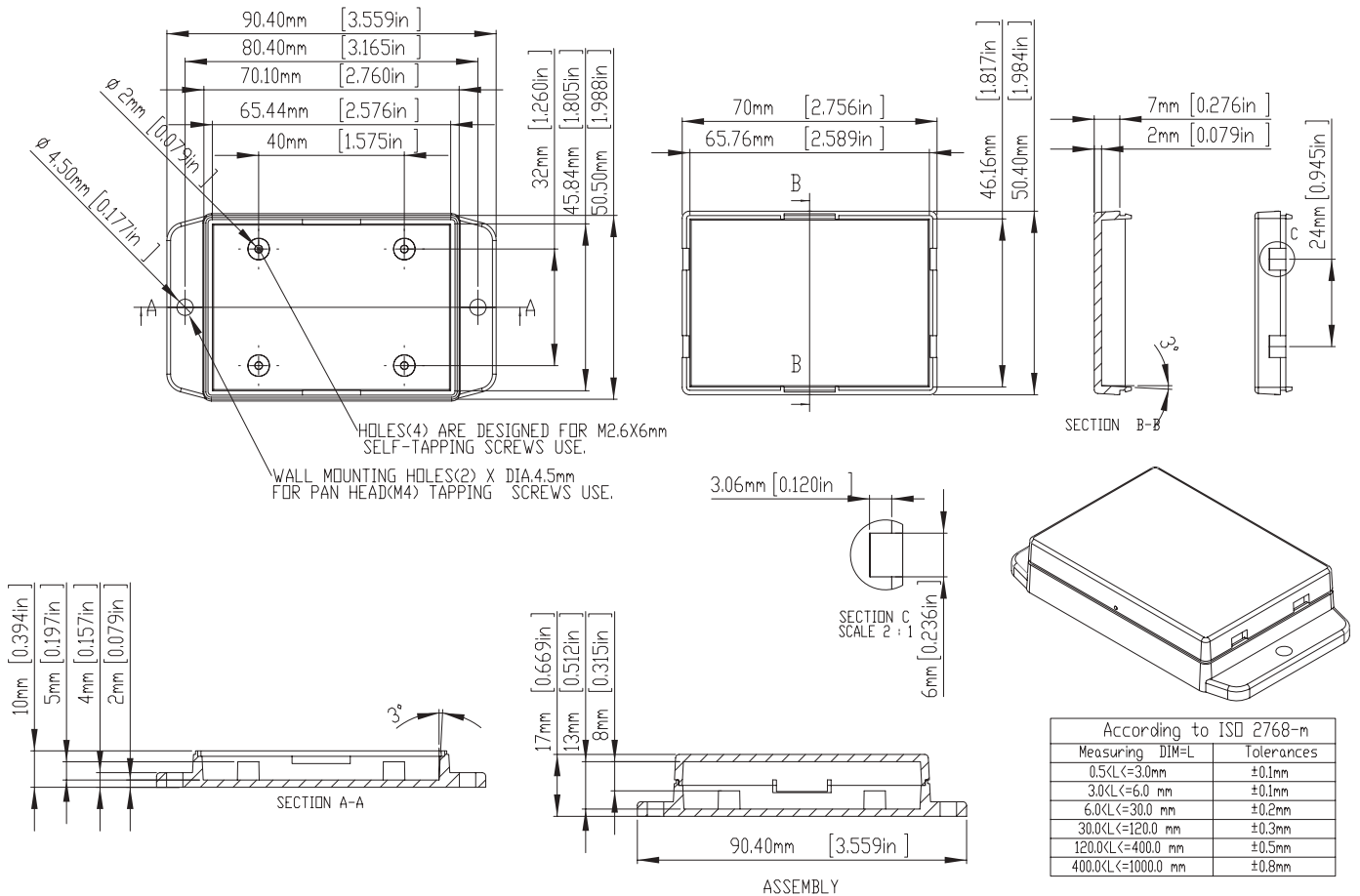
RND 455-00304/RND 455-00316/RND 455-00328/RND 455-00340



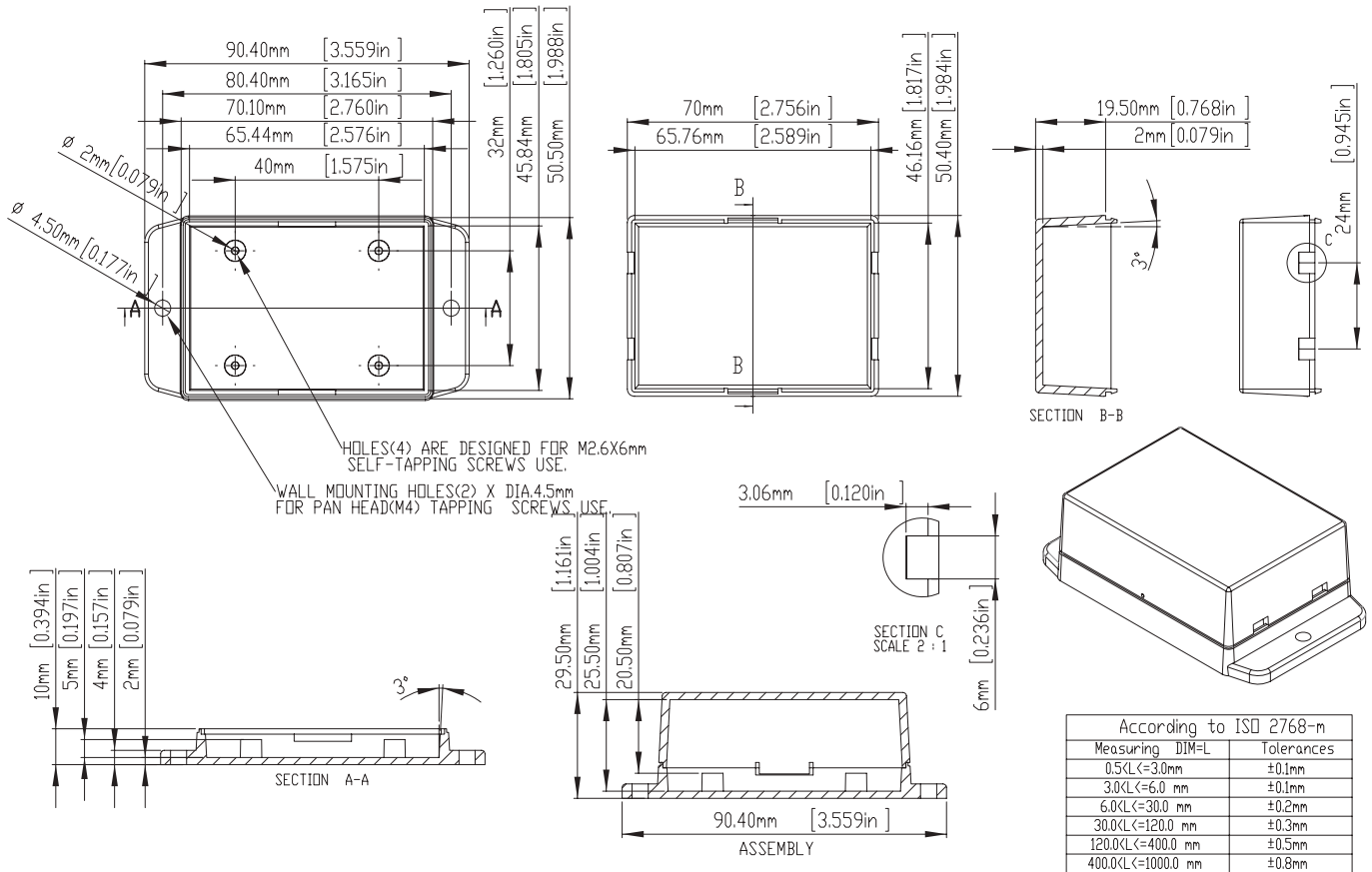
RND 455-00305/RND 455-00317/RND 455-00329/RND 455-00341



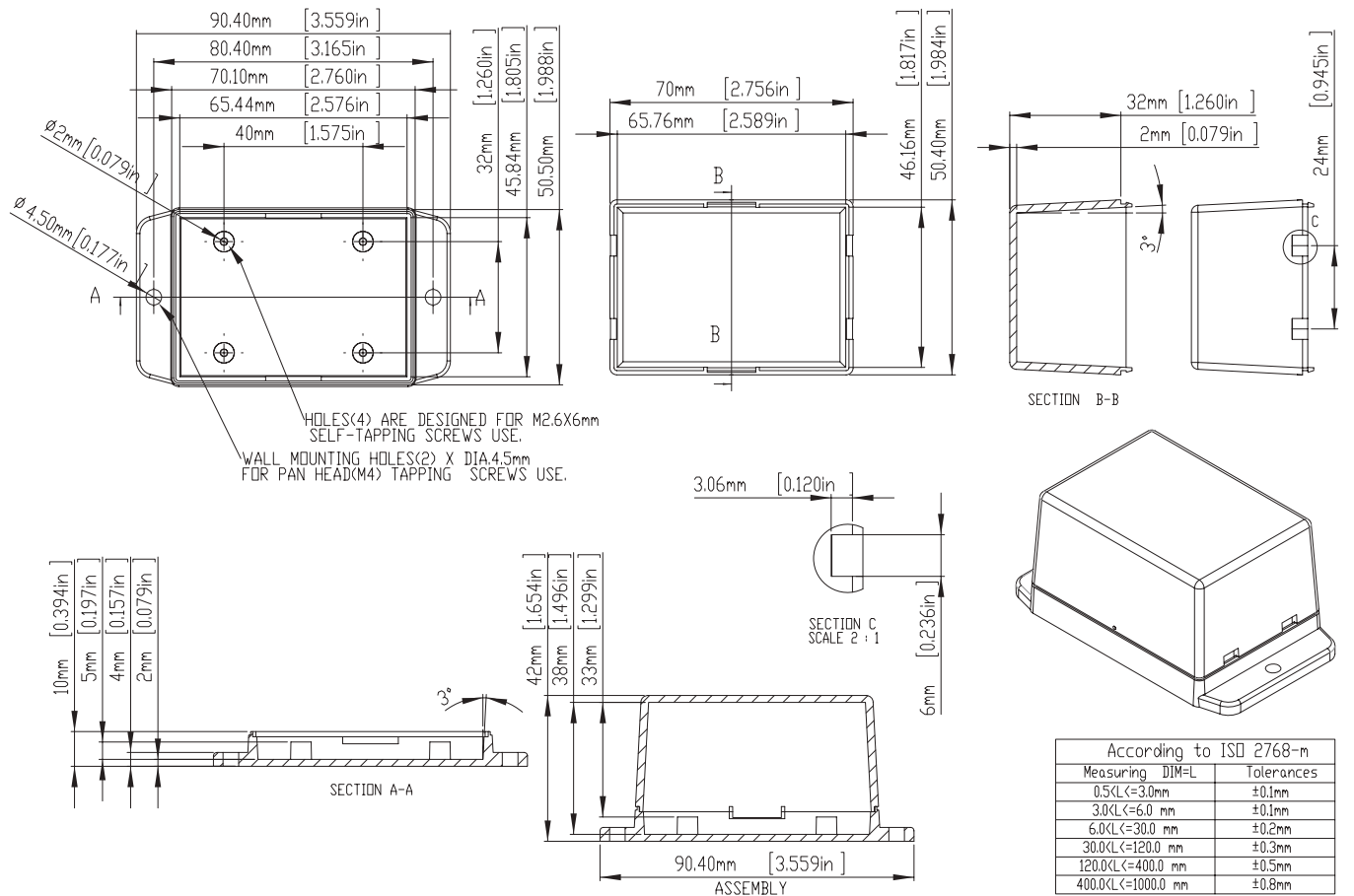
RND 455-00306/RND 455-00318/RND 455-00330/RND 455-00342



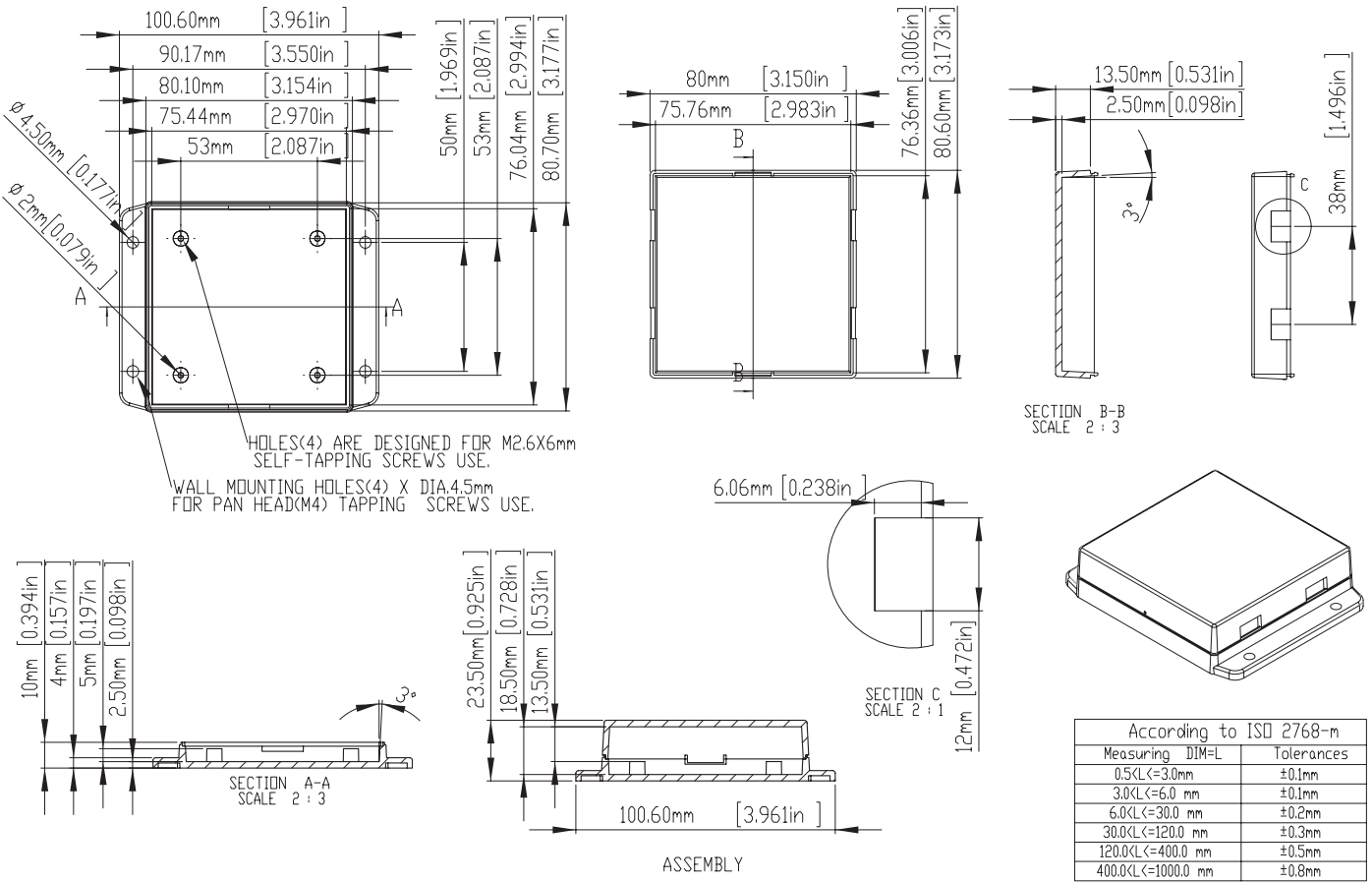
RND 455-00307/RND 455-00319/RND 455-00330/RND 455-00343



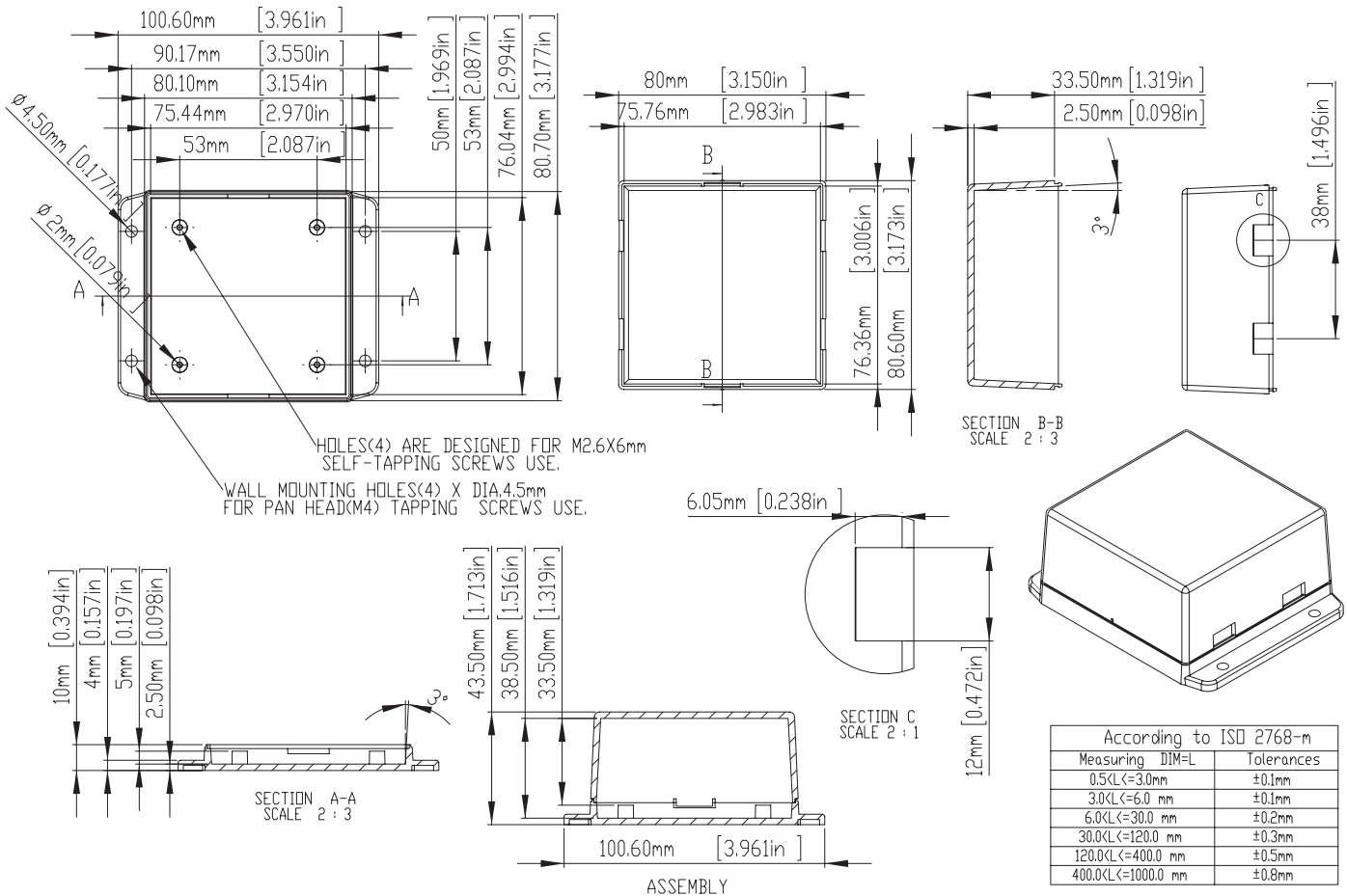
RND 455-00308/RND 455-00320/RND 455-00332/RND 455-00344



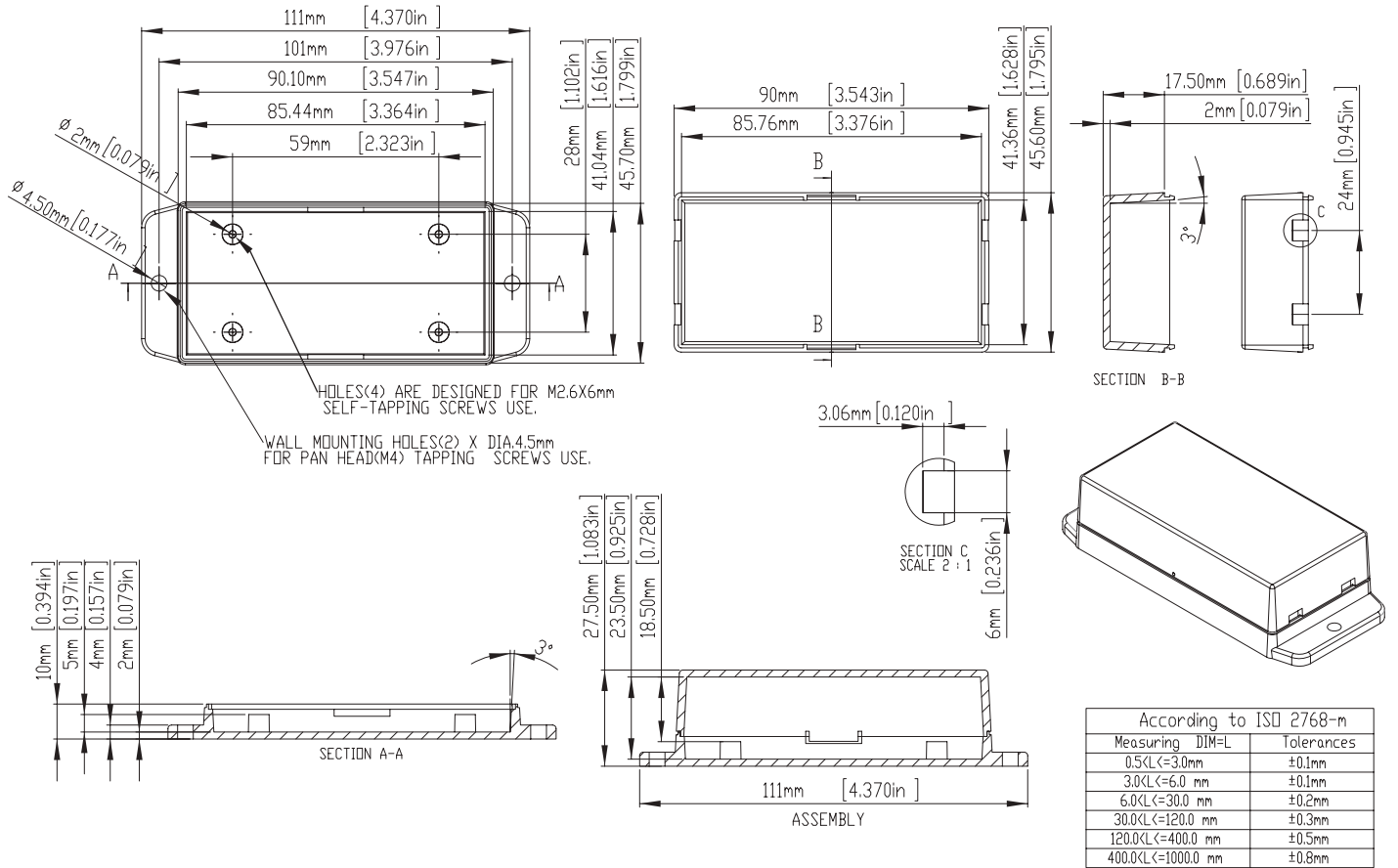
RND 455-00313/RND 455-00325/RND 455-00337/RND 455-00349



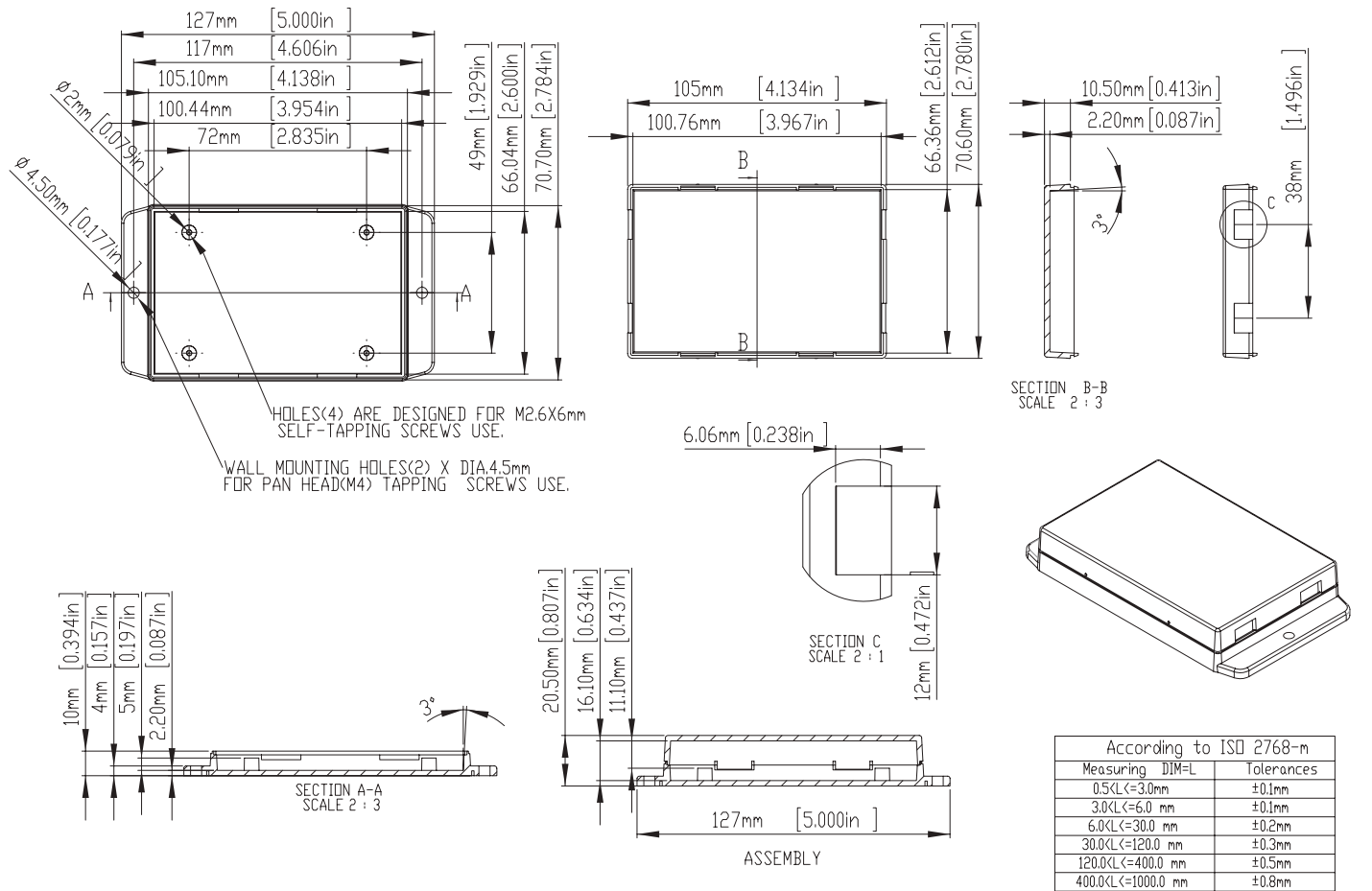
RND 455-00314/RND 455-00326/RND 455-00338/RND 455-00350



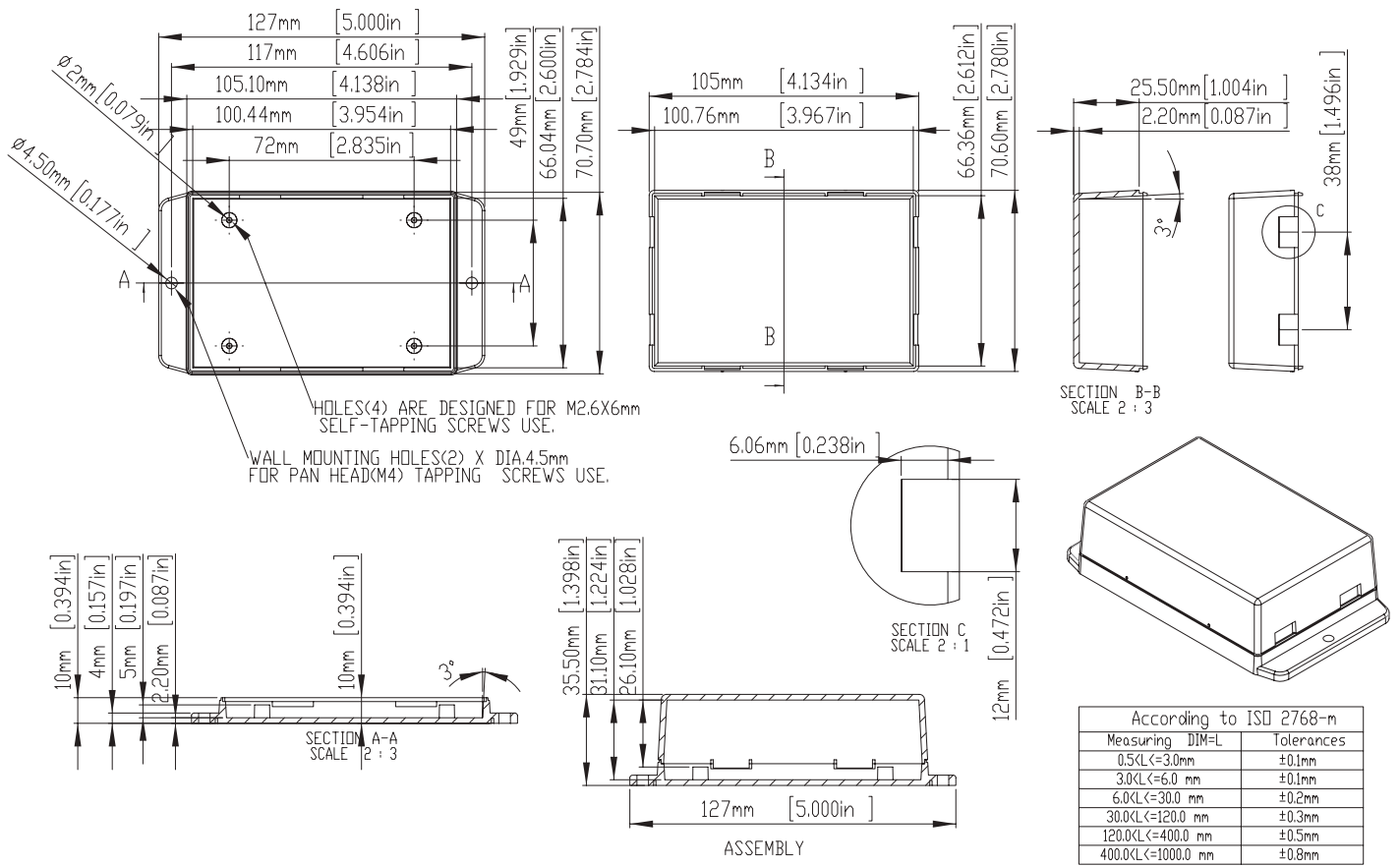
RND 455-00309/RND 455-00321/RND 455-00333/RND 455-00345



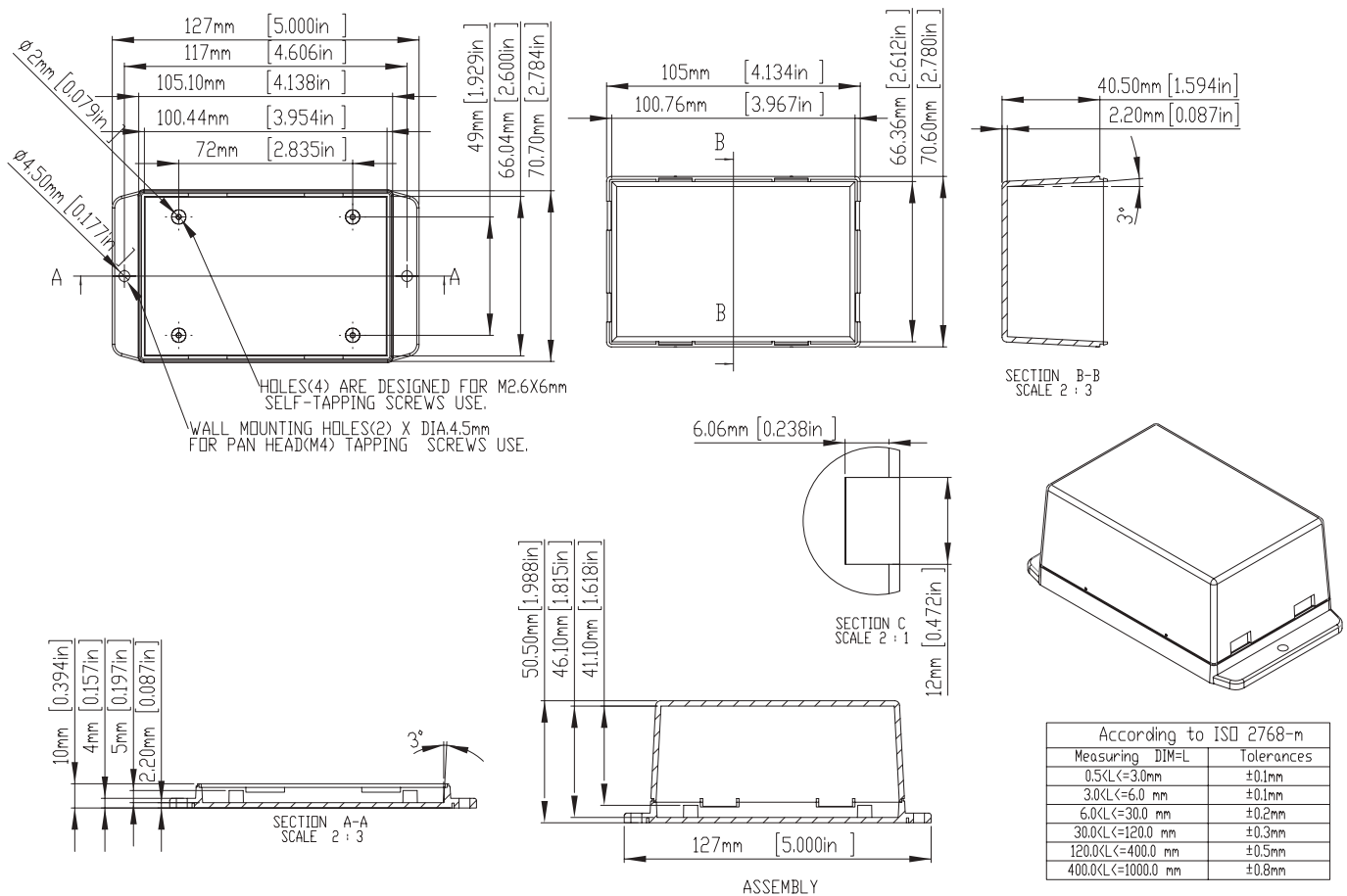
RND 455-00310/RND 455-00322/RND 455-00334/RND 455-00346



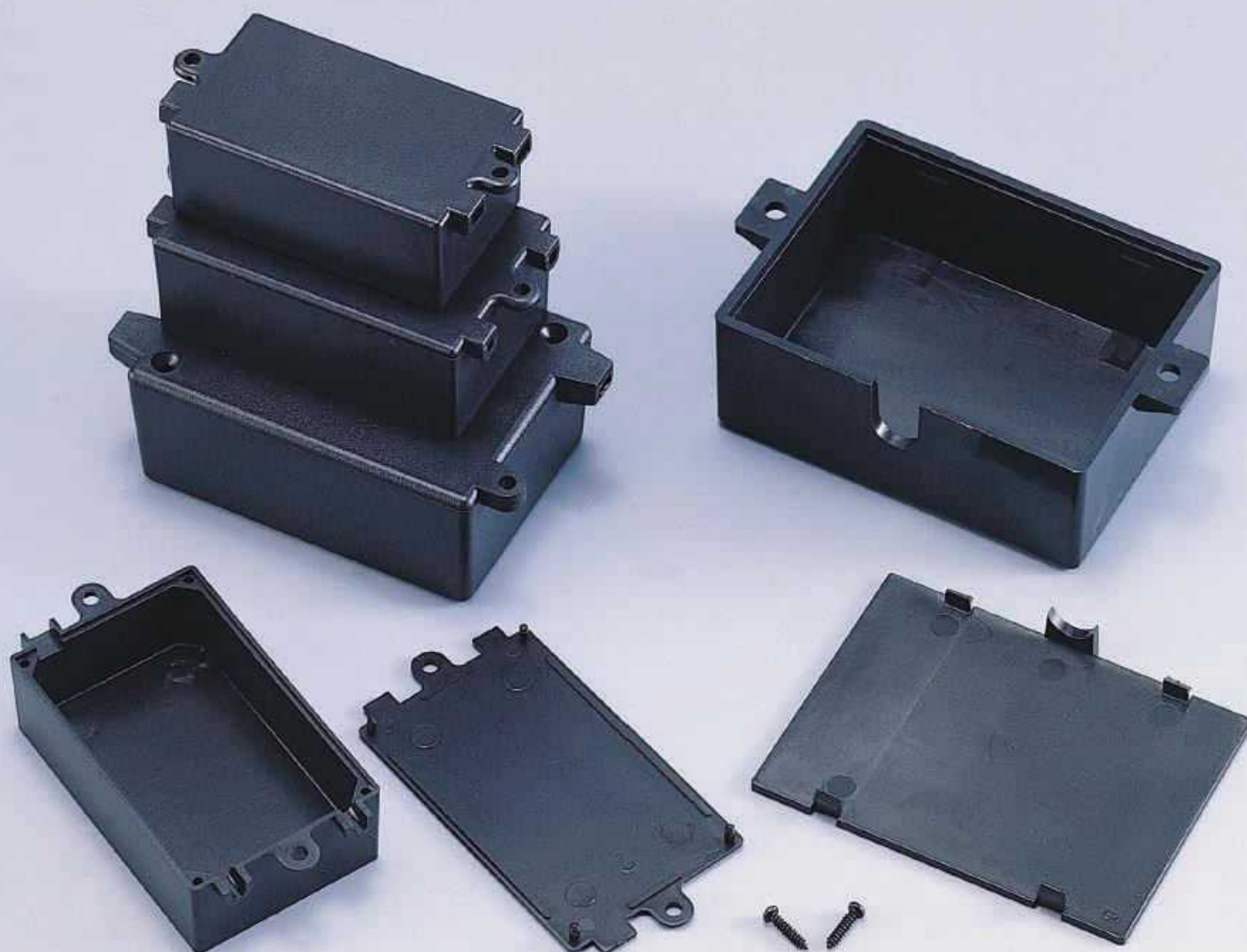
RND 455-00311/RND 455-00323/RND 455-00335/RND 455-00347



RND 455-00312/RND 455-00324/RND 455-00336/RND 455-00348



Plastic Utility Enclosures



PRODUCT INFORMATION

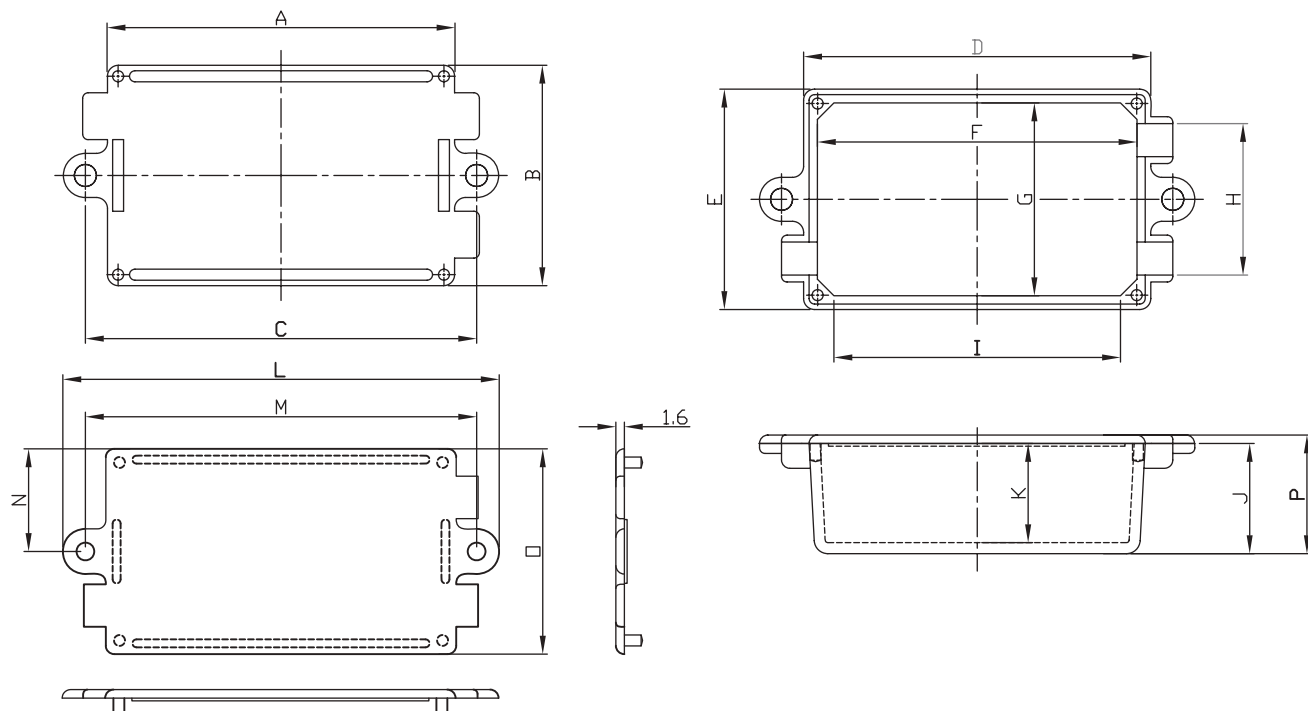
MATERIAL:

- High-impact ABS UL94-HB plastic, black.

FEATURES:

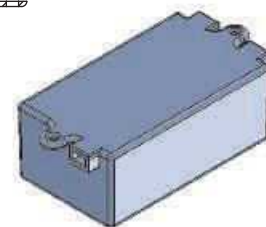
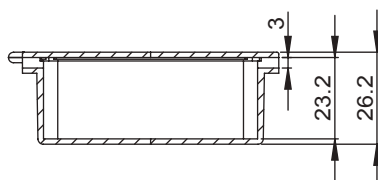
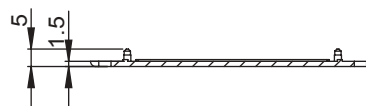
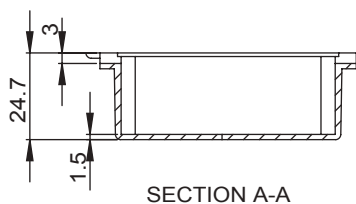
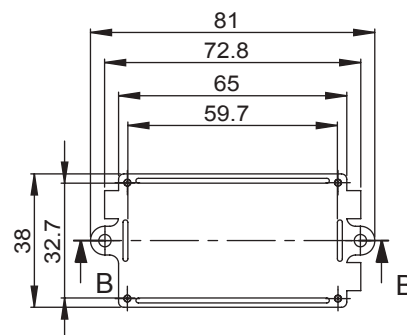
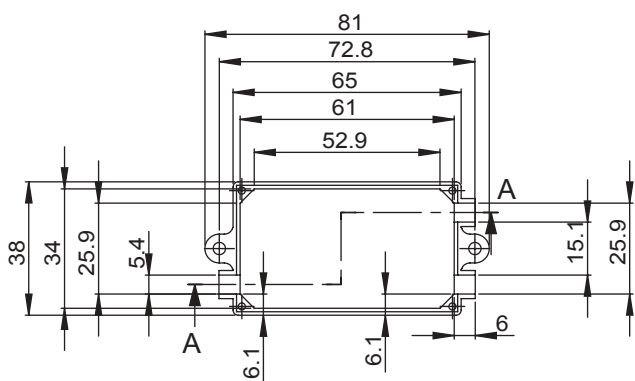
- With close-fitting interlocking Lid.
- With external mounting brackets.
- With cable outlets.

ITEM No.	EXTERNAL DIMENSION(MM)
RND 455-00080	65 x 38 x 22
RND 455-00081	65 x 38 x 27
RND 455-00082	72 x 44 x 22
RND 455-00083	72 x 44 x 27
RND 455-00084	88 x 68 x 32.7
RND 455-00085	82 x 57 x 33



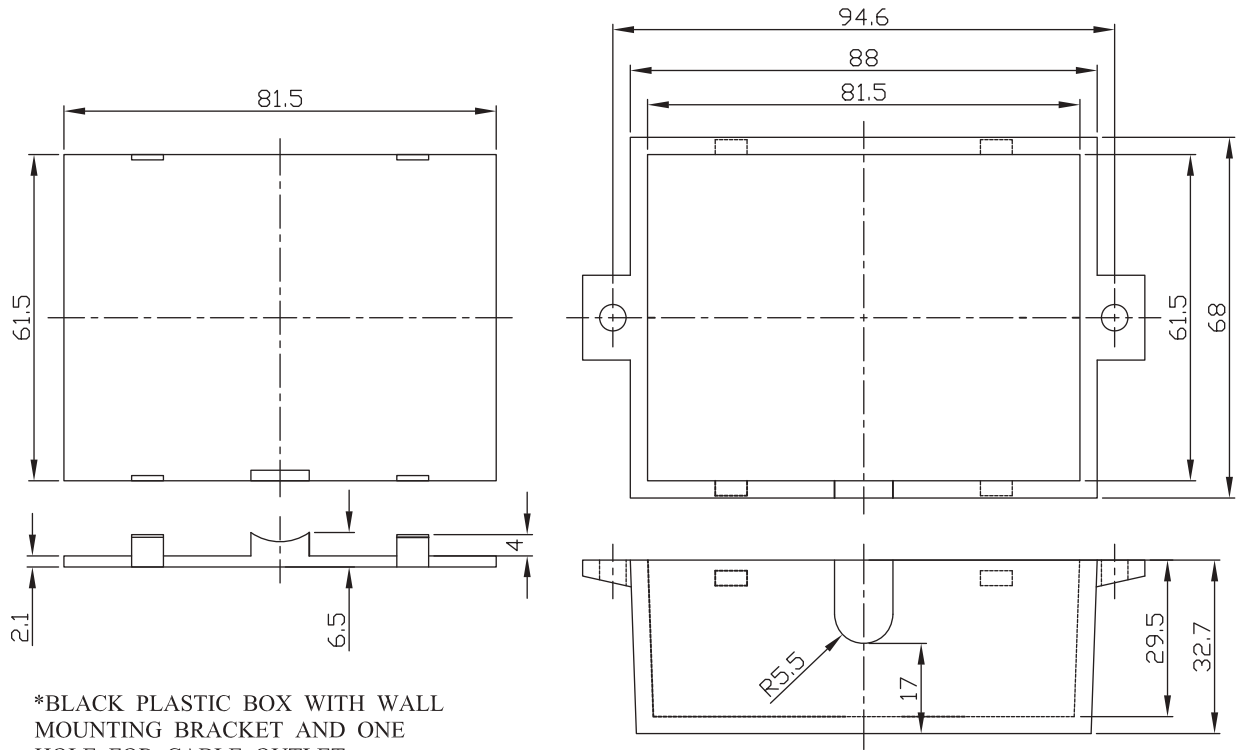
PART NO.	A	B	C	D	E	F	G	H	I	J	K	L	M	N	O	P
RND 455-00080	65.0	38.0	72.6	65.0	38.0	60.5	33.5	25.4	52.5	20.0	18.2	81.0	72.6	19.0	38.0	21.6
RND 455-00082	72.0	44.0	80.0	72.0	44.0	67.5	39.5	31.3	59.0	20.0	18.2	88.4	80.0	22.0	44.0	21.6
RND 455-00083	72.0	44.0	80.0	72.0	44.0	67.5	39.5	31.3	59.0	25.0	23.2	88.4	80.0	22.0	44.0	26.6

RND 455-00081



TOLERANCES: +/- 0.30mm

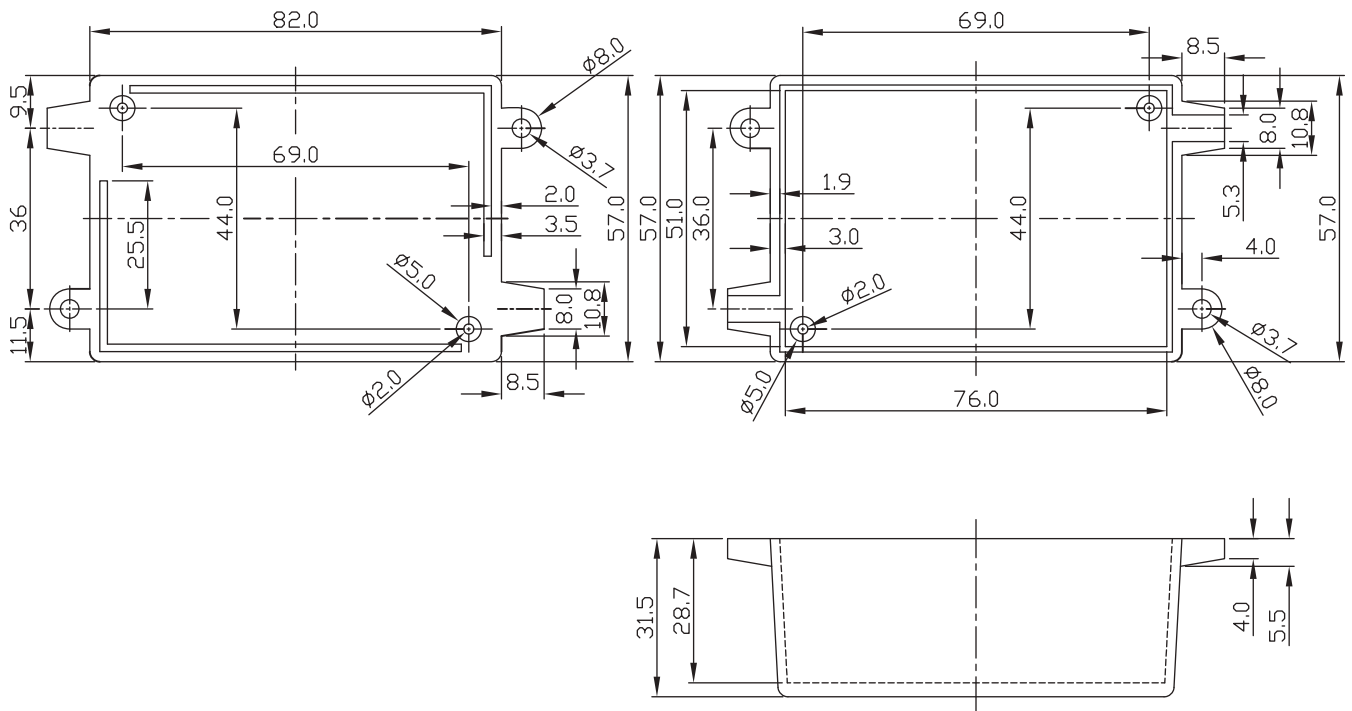
RND 455-00084



*BLACK PLASTIC BOX WITH WALL MOUNTING BRACKET AND ONE HOLE FOR CABLE OUTLET.
DIMENSION IN (mm)

STOCK NO.	LENGTH	WIDTH	HEIGHT
RND 455-00083	88.0	68.0	32.7

RND 455-00085



Plastic Utility Enclosures



PRODUCT INFORMATION

MATERIAL:

- High impact ABS which is flame retardant to both UL94-V0 and UL94-HB.
- Available in White(RAL9002, UL94-V0 of ABS) or Black(RAL9005, UL94-HB of ABS).

FEATURES:

- Ideally designed for portable , desktop or wall mounted electronic applications.
- Space of the recessed area are designed for 4.3" , 5.7" , 7.0" , 8.4" & 10.4" lcd module or touch screen use.
- Lid & base incorporate a tongue and groove sealing design, optional EPDM gasket can be ordered and installed to meet IP65 rating of waterproof and dust.
- Recommended working temperature : -20°C to 80°C.
- Put-on rubber feet are included.



RND 455-00356



RND 455-00354

ITEM No.	COLOUR	MATERIAL	EXTERNAL DIMENSION(mm)		
			LENGTH	WIDTH	HEIGHT
RND 455-00356	White	ABS, UL94-V0	140	100	30
RND 455-00357	White	ABS, UL94-V0	190	150	30
RND 455-00358	White	ABS, UL94-V0	221	161.5	30
RND 455-00359	White	ABS, UL94-V0	279	206	30
RND 455-00360	White	ABS, UL94-V0	322	232	30

External Dimension



RND 455-00356
size: 140X100X30MM

ITEM No.	COLOUR	MATERIAL	EXTERNAL DIMENSION(mm)		
			LENGTH	WIDTH	HEIGHT
RND 455-00351	Black	ABS, UL94-HB	140	100	30
RND 455-00352	Black	ABS, UL94-HB	190	150	30
RND 455-00353	Black	ABS, UL94-HB	221	161.5	30
RND 455-00354	Black	ABS, UL94-HB	279	206	30
RND 455-00355	Black	ABS, UL94-HB	322	232	30

External Dimension



RND 455-00354
size: 279X206X30MM

Optional EPDM Gasket

ITEM No.	PRODUCT DESCRIPTION
RND 455-00361	Φ2.3mm x 510mm EPDM Gasket.
RND 455-00362	Φ2.3mm x 710mm EPDM Gasket.
RND 455-00363	Φ2.3mm x 795mm EPDM Gasket.
RND 455-00364	Φ2.3mm x 1000mm EPDM Gasket.
RND 455-00365	Φ2.3mm x 1140mm EPDM Gasket.

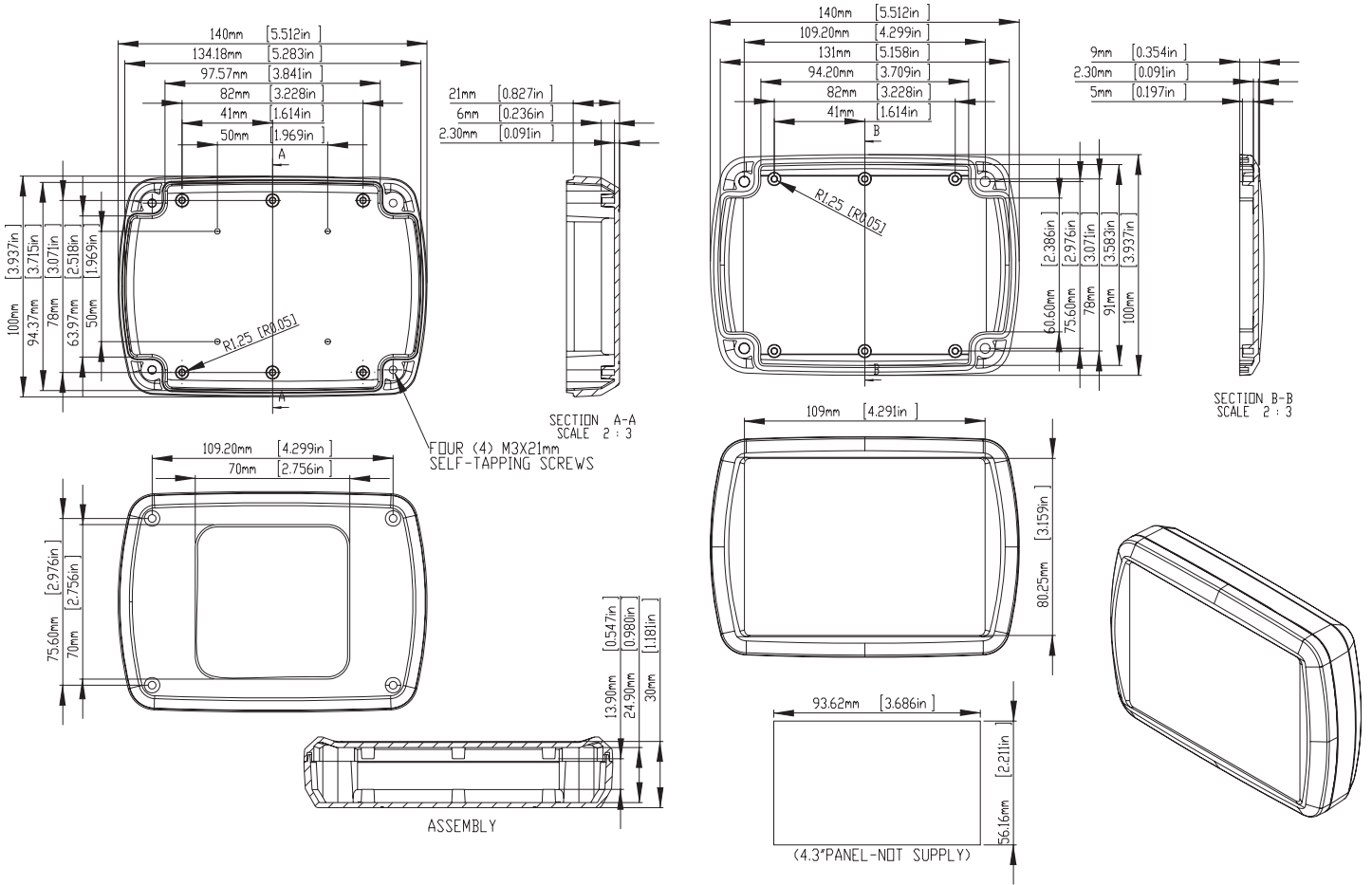
Example EPDM gasket



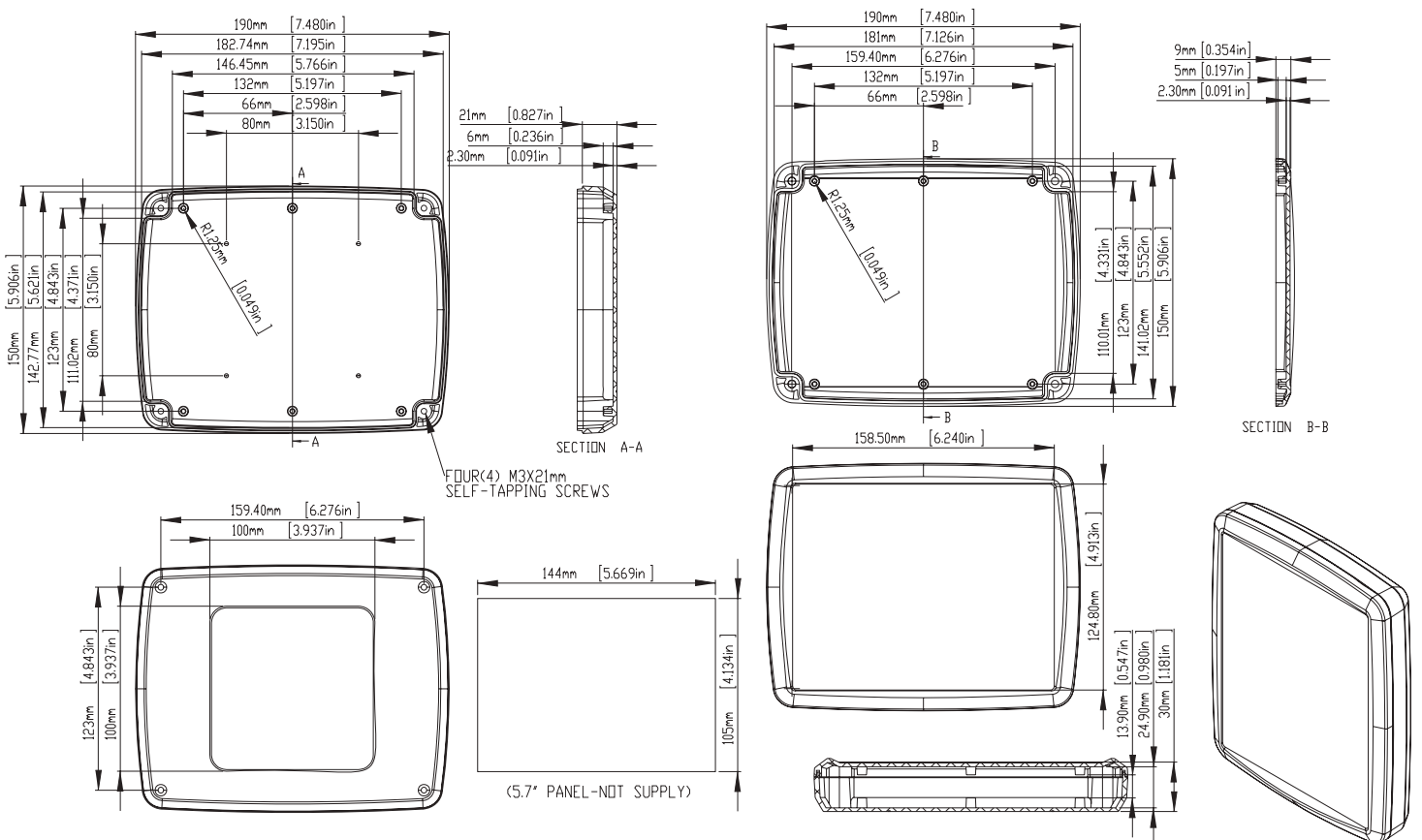
Content



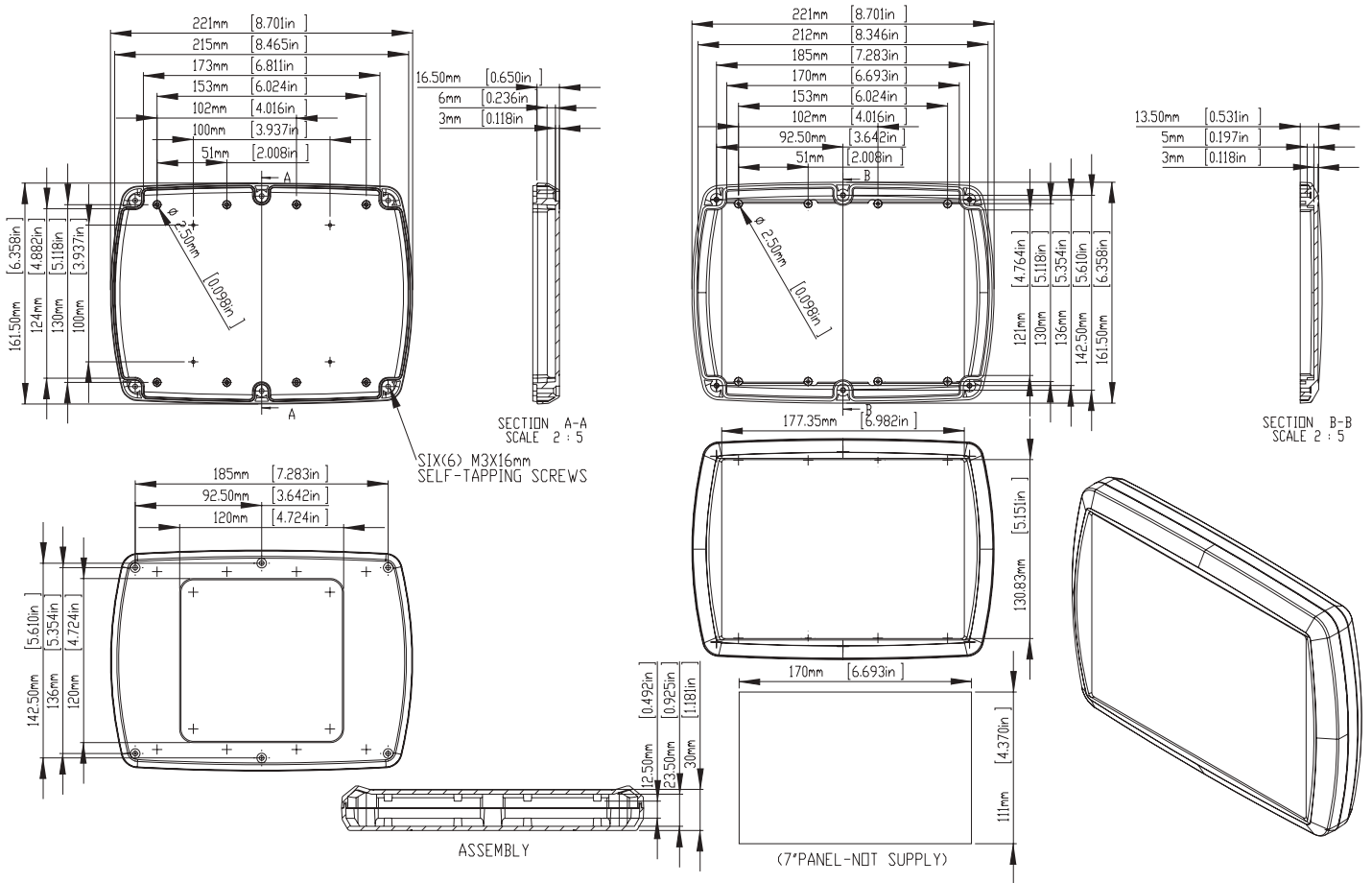
RND 455-00356 / RND 455-00351



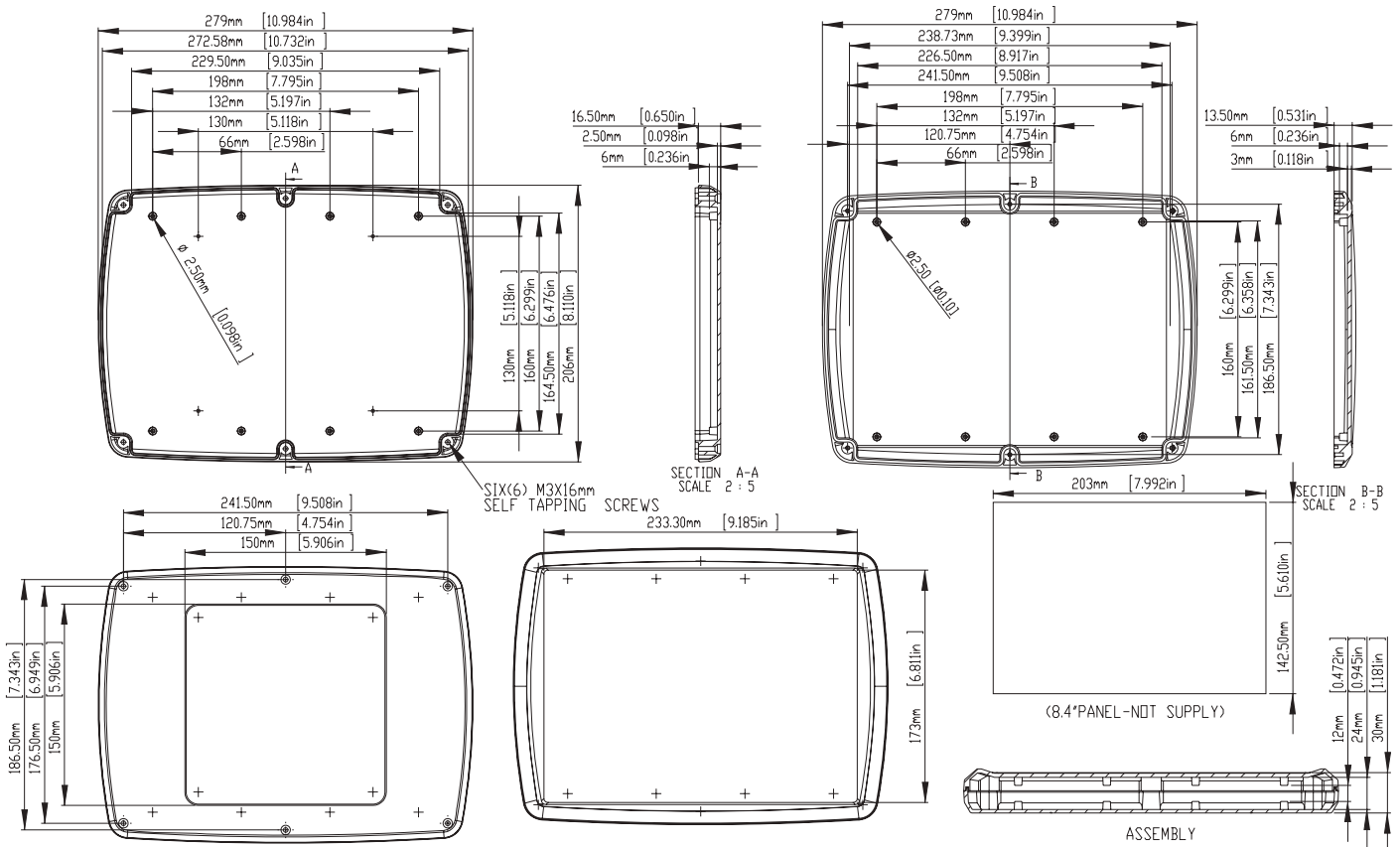
RND 455-00357 / RND 455-00352

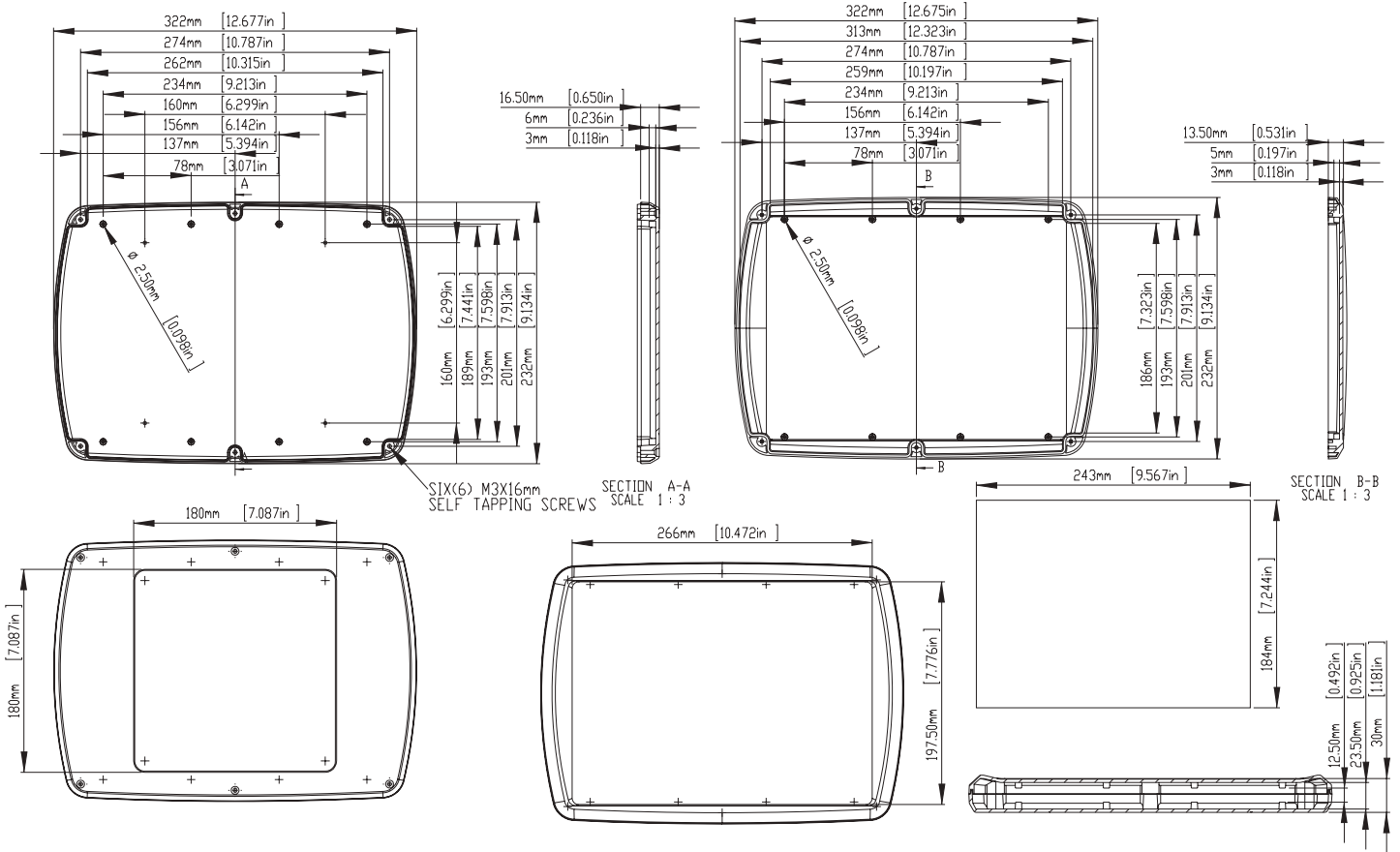


RND 455-00358 / RND 455-00353



RND 455-00359 / RND 455-00354





According to ISO 2768-m

Measuring DIM=L	Tolerances	Measuring DIM=L	Tolerances
0.5<L<=3.0mm	±0.1mm	30.0<L<=120.0 mm	±0.3mm
3.0<L<=6.0 mm	±0.1mm	120.0<L<=400.0 mm	±0.5mm
6.0<L<=30.0 mm	±0.2mm	400.0<L<=1000.0 mm	±0.8mm

Utility Enclosures



PRODUCT INFORMATION

MATERIAL:

- High-impact ABS UL94-HB plastic, black.

FEATURES:

- Plastic cover and aluminium cover panel are available.
- Card guides accept 1.6mm thick card.



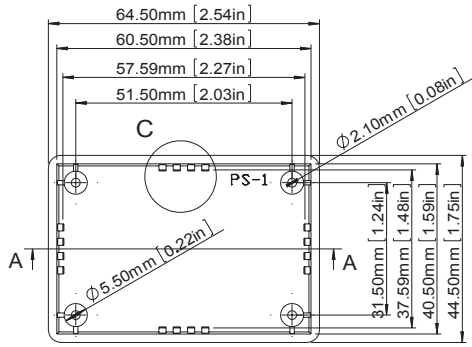
RND 455-00095



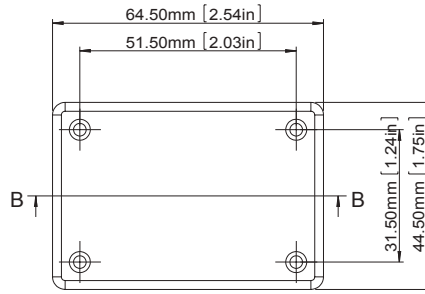
RND 455-00101

ITEM No.	COLOUR		ITEM No.	COLOUR		EXTERNAL DIMENSION(mm)
	LID	BASE		LID	BASE	
RND 455-00094	Black		RND 455-00100	Aluminium Panel	Black	64.0 x 44.0 x 32.0
RND 455-00095	Black		RND 455-00101	Aluminium Panel	Black	101.0 x 54.0 x 43.8
RND 455-00096	Black		RND 455-00102	Aluminium Panel	Black	129.0 x 64.0 x 44.0
RND 455-00097	Black		RND 455-00103	Aluminium Panel	Black	151.0 x 90.0 x 53.2
RND 455-00098	Black		RND 455-00104	Aluminium Panel	Black	189.0 x 113.0 x 66.6
RND 455-00099	Black		RND 455-00105	Aluminium Panel	Black	217.0 X 138.0 X 82.2

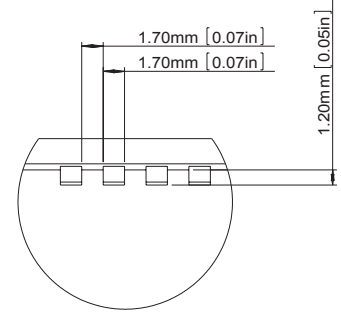
RND 455-00094



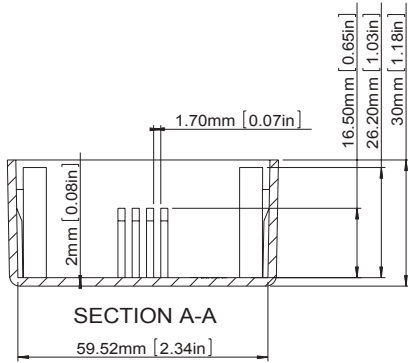
BASE



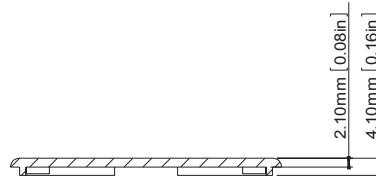
COVER



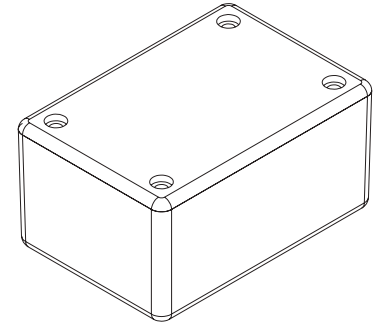
**SECTION C
SCALE 3:1**



SECTION A-A



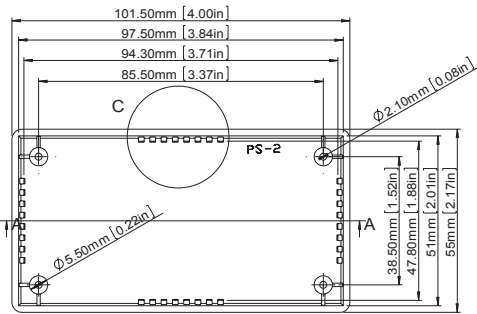
SECTION B-B



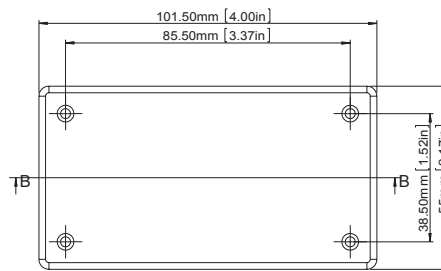
According to ISO 2768-m

Measuring DIM=L	Tolerances
0.5<L<=3.0mm	±0.1mm
3.0<L<=6.0mm	±0.1mm
6.0<L<=30.0mm	±0.2mm
30.0<L<=120.0mm	±0.3mm
120.0<L<=400.0mm	±0.5mm
400.0<L<=1000.0mm	±0.8mm

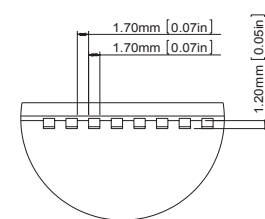
RND 455-00095



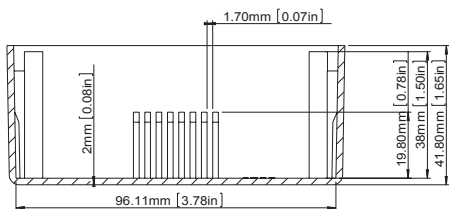
BASE



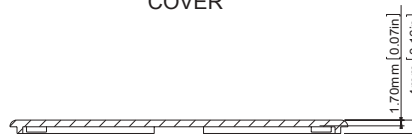
COVER



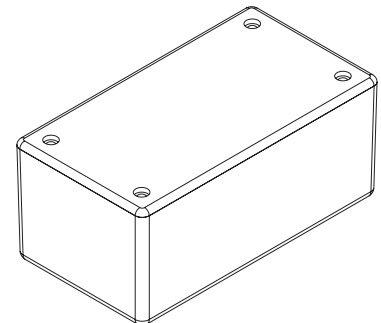
**SECTION C
SCALE 2:1**



SECTION A-A



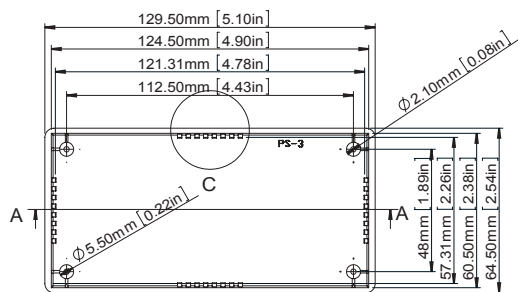
SECTION B-B



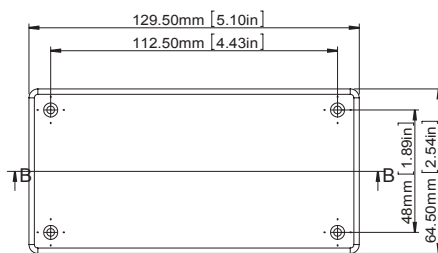
According to ISO 2768-m

Measuring DIM=L	Tolerances
0.5<L<=3.0mm	±0.1mm
3.0<L<=6.0mm	±0.1mm
6.0<L<=30.0mm	±0.2mm
30.0<L<=120.0mm	±0.3mm
120.0<L<=400.0mm	±0.5mm
400.0<L<=1000.0mm	±0.8mm

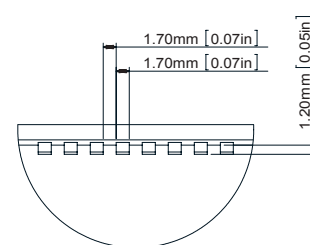
RND 455-00096



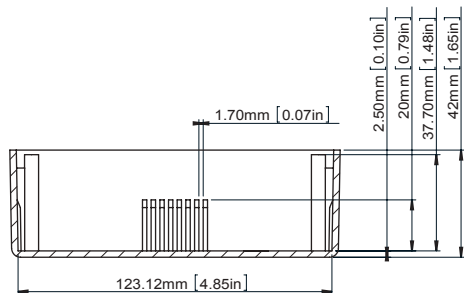
BASE



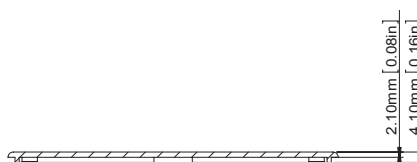
COVER



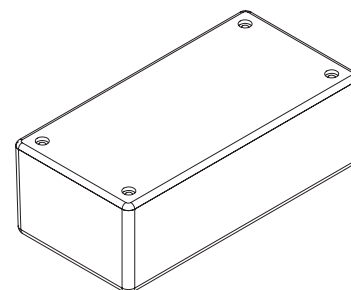
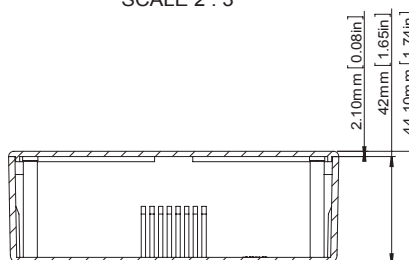
SECTION C
SCALE 2:1



SECTION A-A
SCALE 2:3

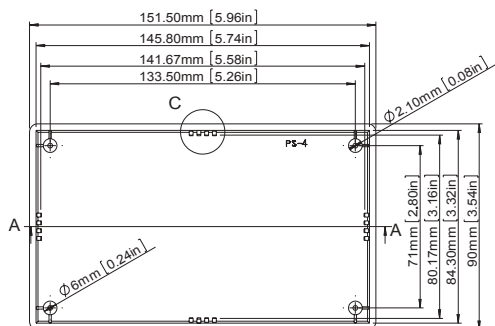


SECTION B-B
SCALE 2:3

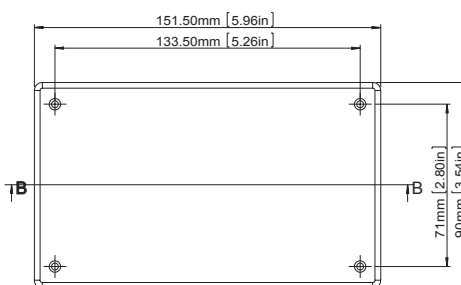


According to ISO 2768-m	
Measuring DIM=L	Tolerances
0.5<L<=3.0mm	±0.1mm
3.0<L<=6.0mm	±0.1mm
6.0<L<=30.0mm	±0.2mm
30.0<L<=120.0mm	±0.3mm
120.0<L<=400.0mm	±0.5mm
400.0<L<=1000.0mm	±0.8mm

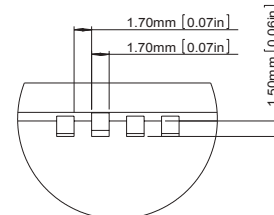
RND 455-00097



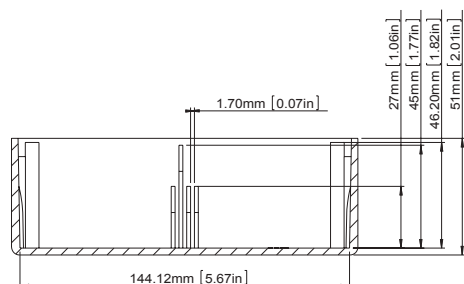
BASE



COVER



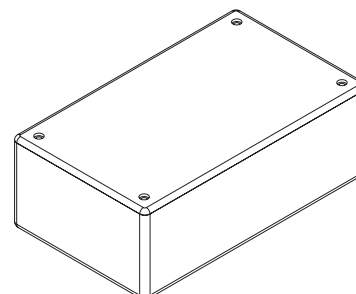
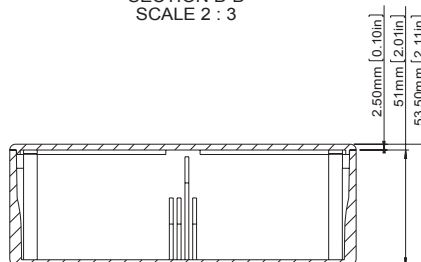
SECTION C
SCALE 3:1



SECTION A-A
SCALE 2:3

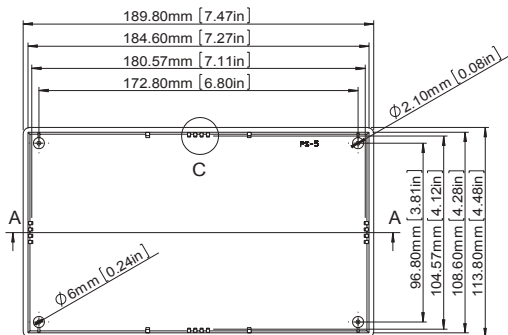


SECTION B-B
SCALE 2:3

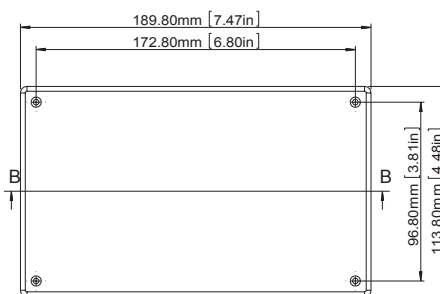


According to ISO 2768-m	
Measuring DIM=L	Tolerances
0.5<L<=3.0mm	±0.1mm
3.0<L<=6.0mm	±0.1mm
6.0<L<=30.0mm	±0.2mm
30.0<L<=120.0mm	±0.3mm
120.0<L<=400.0mm	±0.5mm
400.0<L<=1000.0mm	±0.8mm

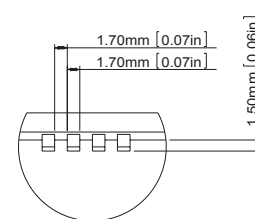
RND 455-00098



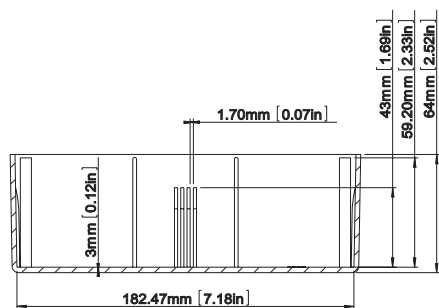
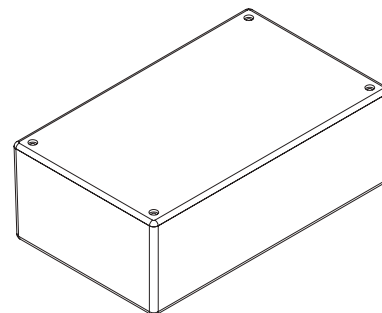
BASE



COVER



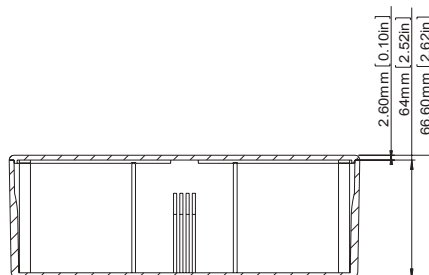
SECTION C
SCALE 2:1



SECTION A-A



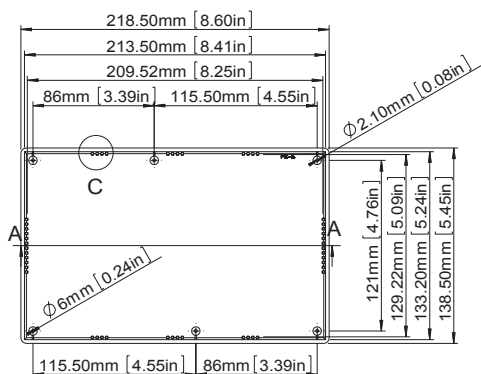
SECTION B-B



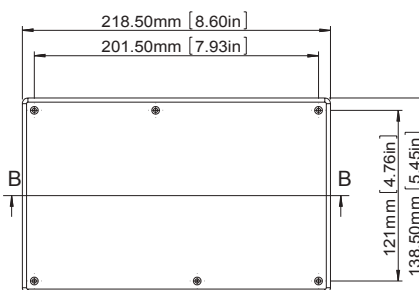
According to ISO 2768-m

Measuring DIM=L	Tolerances
0.5<L<=3.0mm	±0.1mm
3.0<L<=6.0mm	±0.1mm
6.0<L<=30.0mm	±0.2mm
30.0<L<=120.0mm	±0.3mm
120.0<L<=400.0mm	±0.5mm
400.0<L<=1000.0mm	±0.8mm

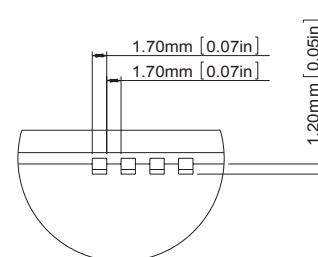
RND 455-00099



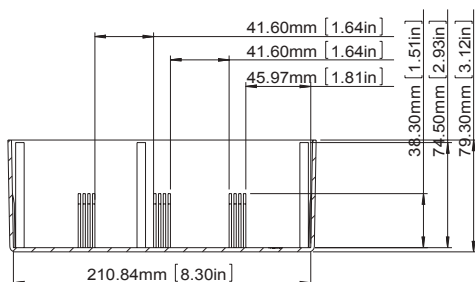
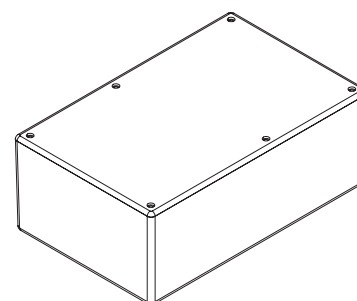
BASE



COVER



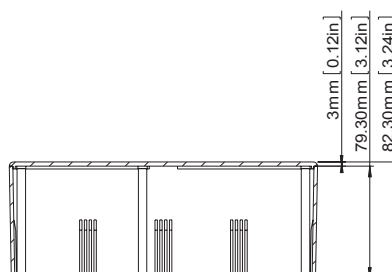
SECTION C
SCALE 2:1



SECTION A-A
SCALE 1 : 3



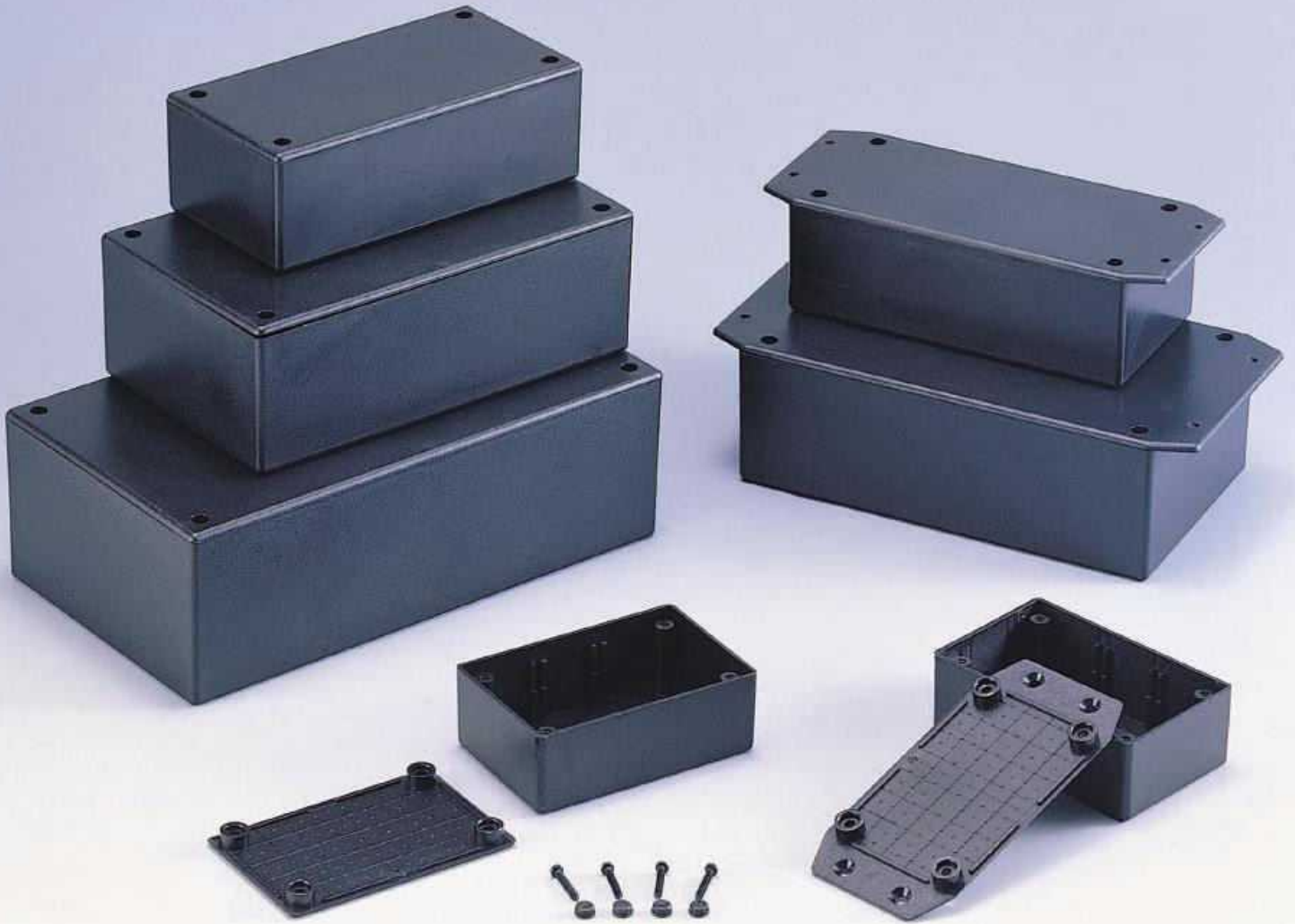
SECTION B-B
SCALE 1 : 3



According to ISO 2768-m

Measuring DIM=L	Tolerances
0.5<L<=3.0mm	±0.1mm
3.0<L<=6.0mm	±0.1mm
6.0<L<=30.0mm	±0.2mm
30.0<L<=120.0mm	±0.3mm
120.0<L<=400.0mm	±0.5mm
400.0<L<=1000.0mm	±0.8mm

Super-Econ Plastic Cases



PRODUCT INFORMATION

MATERIAL:

- High impact ABS plastic UL94-HB.

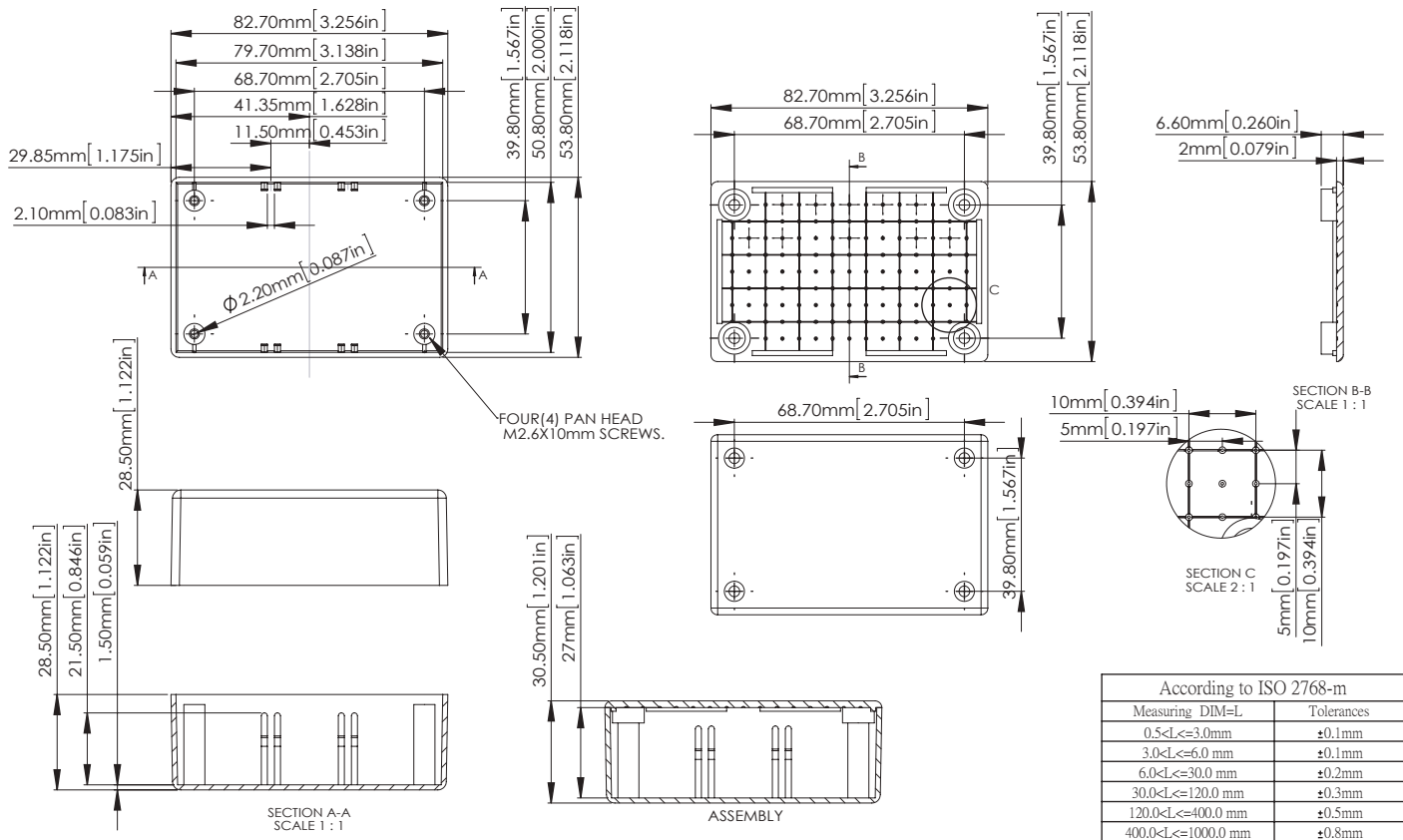
FEATURES:

- The special retaining rails can hold PCB horizontally and vertically.
- There are recessed grids on top lid and bottom for users to make cutouts and central points easily.
- 4 pcs screws and 4 pcs screws plugs are included.

ITEM No.	EXTERNAL DIMENSION(mm)
RND 455-00086	54 X 83 X 30
RND 455-00087	68 X 130 X 44
RND 455-00088	95 X 157.8 X 53
RND 455-00089	113 X 197.4 X 63
RND 455-00090	54 X 83 X 30
RND 455-00091	68 X 130 X 44
RND 455-00092	95 X 157.8 X 53
RND 455-00093	113 X 197.4 X 63

- Special colour is available on request

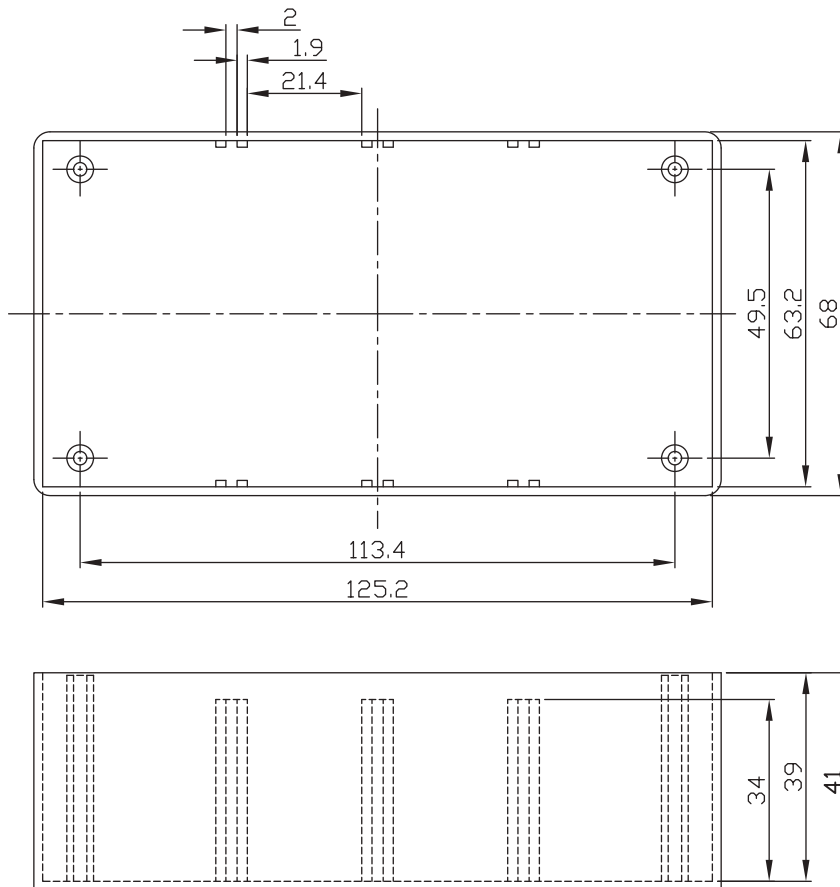
RND 455-00086



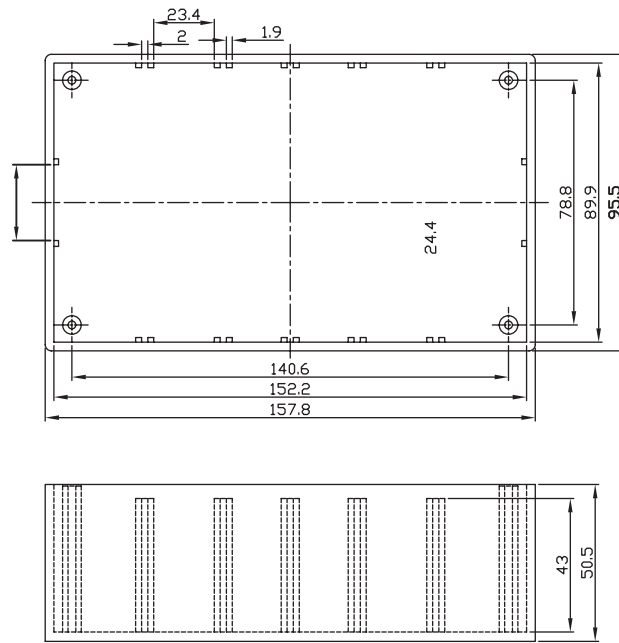
According to ISO 2768-m

Measuring DIM=L	Tolerances
0.5<L≤3.0mm	±0.1mm
3.0<L≤6.0 mm	±0.1mm
6.0<L≤30.0 mm	±0.2mm
30.0<L≤120.0 mm	±0.3mm
120.0<L≤400.0 mm	±0.5mm
400.0<L≤1000.0 mm	±0.8mm

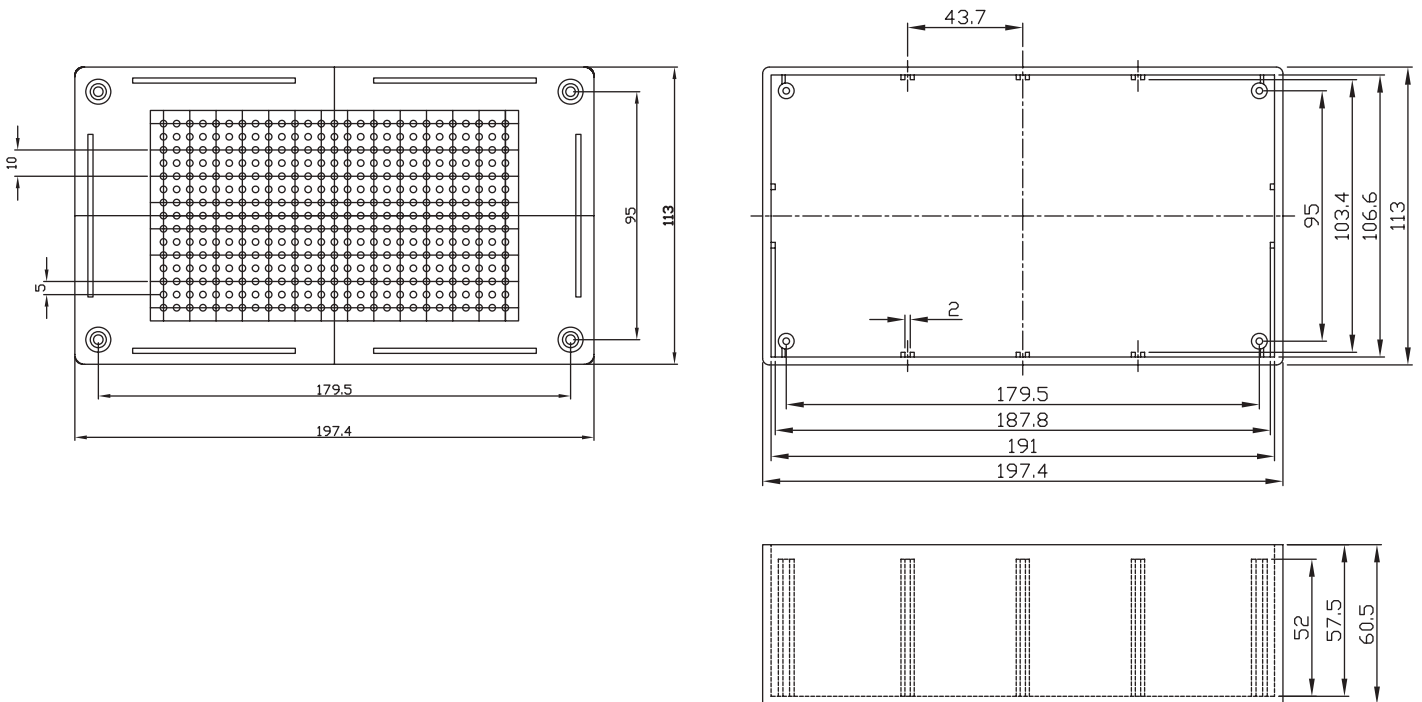
RND 455-00087

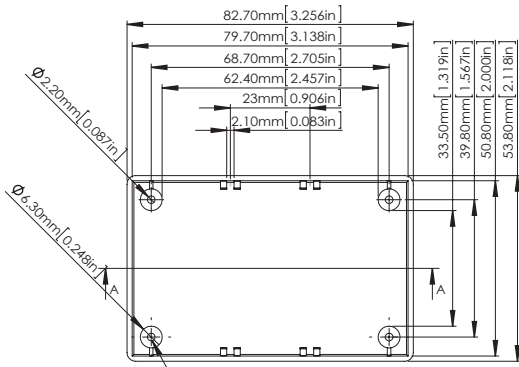


RND 455-00088

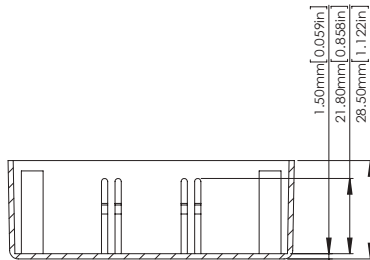


RND 455-00089

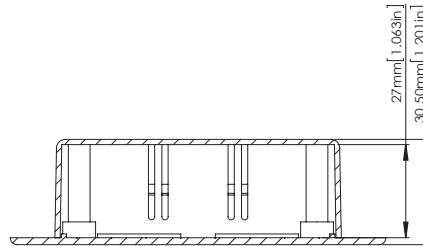
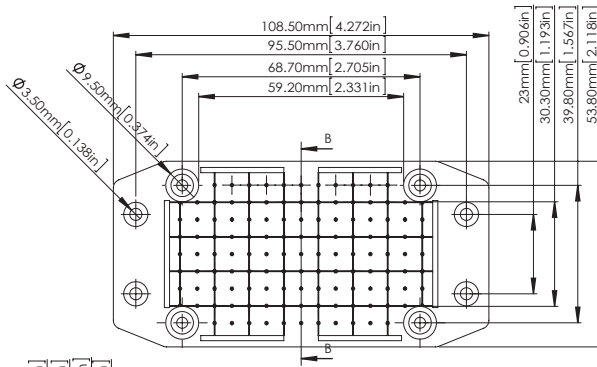




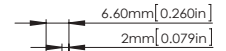
FOUR (4) M2,6X10 mm PAN HEAD SCREWS AND 4 PCS SCREWS PLUGS ARE INCLUDED.



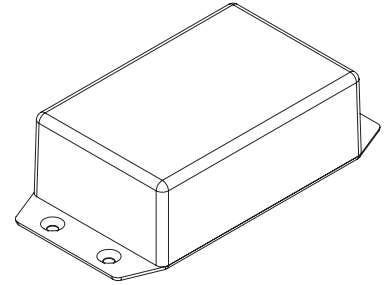
SECTION A-A



ASSEMBLY

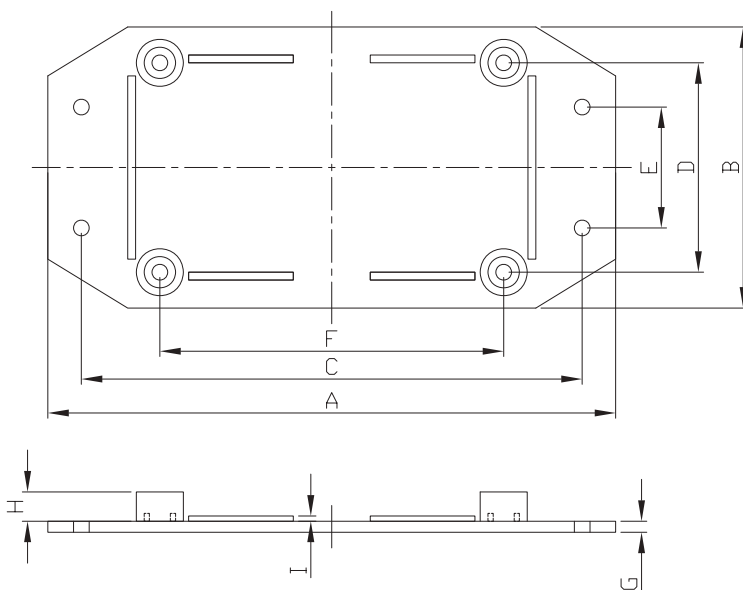


SECTION B-B



According to ISO 2768-m

Measuring DIM=L	Tolerances
0.5<L≤3.0mm	±0.1mm
3.0<L≤6.0 mm	±0.1mm
6.0<L≤30.0 mm	±0.2mm
30.0<L≤120.0 mm	±0.3mm
120.0<L≤400.0 mm	±0.5mm
400.0<L≤1000.0 mm	±0.8mm



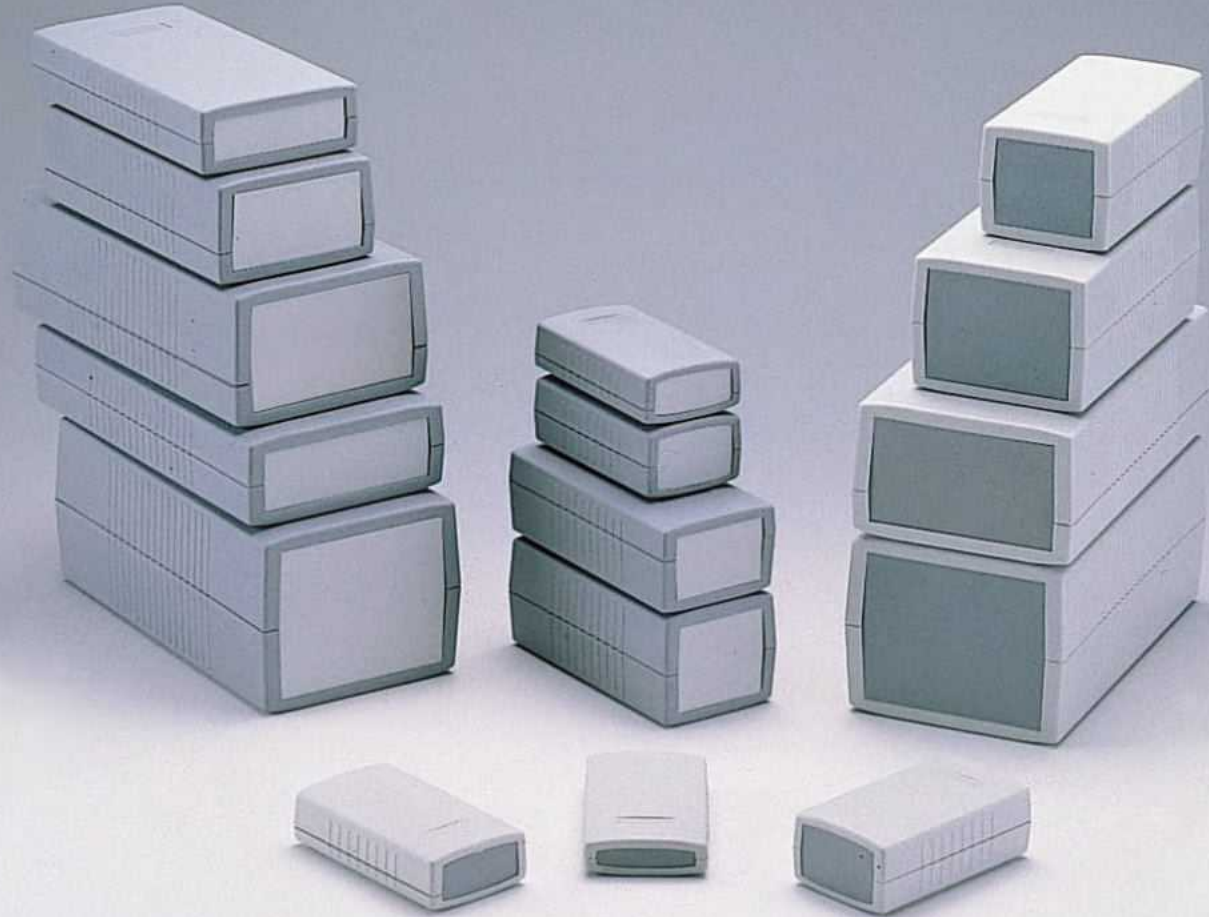
*PLASTIC BOX WITH PLASTIC FLANGED LID FOR WALL MOUNTING.

DIMENSION IN (mm)

STOCK NO.	A	B	C	D	E	F	G	H	I
RND 455-00091	156.0	67.1	143.1	49.5	30.4	113.2	2.6	3.5	1.0
RND 455-00092	185.7	95.5	171.0	78.8	55.0	140.6	2.6	3.5	1.0
RND 455-00093	225.0	113.0	211.0	95.0	60.1	179.5	2.8	3.5	1.0

REGARDING THE DIMENSION OF BASE , PLEASE REFER TO DRAWINGS OF G1020 SERIES.

Plastic Moulded Enclosures



PRODUCT INFORMATION

MATERIAL:

- High impact ABS UL94-HB or UL94-V0 plastic.

FEATURES:

- This range of molded cases are ideally suited for instrumentation and telecommunication equipment from hand-held to desk sizes.
- These molded plastic cases have a two part design with a tongue and groove joint between the top and bottom case with specially designed end panels of the same material or the option of aluminium end panels.
- This design affords environmental sealing to IP54 of IEC 529.
- The top and bottom case are lightly textured which affords a non-scratch surface and maintains the high quality finish.
- There are guide slots provided for vertical mounting of PCB's.
- Bosses are provided for the horizontal mounting of PCB's.
- Four M3 screws are countersunk in the base and thread into brass inserts which secure the lid and end panels firmly.

MATERIAL: ABS, UL94-HB

ITEM No.	COLOUR		RUBBER FEET	EXTERNAL DIMENSION(mm)
	LID/BASE	PANELS		
RND 455-00287	Light Grey	Dark Grey	No	90 x 50 x 16
RND 455-00288	Light Grey	Dark Grey	No	90 x 50 x 24
RND 455-00289	Light Grey	Dark Grey	No	90 x 50 x 32
RND 455-00290	Light Grey	Dark Grey	No	120 x 60 x 30
RND 455-00291	Light Grey	Dark Grey	No	120 x 60 x 40
RND 455-00292	Light Grey	Dark Grey	No	120 x 60 x 50
RND 455-00293	Light Grey	Dark Grey	Yes	150 x 80 x 30
RND 455-00294	Light Grey	Dark Grey	Yes	150 x 80 x 45
RND 455-00295	Light Grey	Dark Grey	Yes	150 x 80 x 60
RND 455-00296	Light Grey	Dark Grey	Yes	190 x 100 x 40
RND 455-00297	Light Grey	Dark Grey	Yes	190 x 100 x 60
RND 455-00298	Light Grey	Dark Grey	Yes	190 x 100 x 80



RND 455-00287

MATERIAL: ABS, UL94-V0

ITEM No.	COLOUR		RUBBER FEET	EXTERNAL DIMENSION(mm)
	LID/BASE	PANELS		
RND 455-00275	Dark Grey	Light Grey	No	90 x 50 x 16
RND 455-00276	Dark Grey	Light Grey	No	90 x 50 x 24
RND 455-00277	Dark Grey	Light Grey	No	90 x 50 x 32
RND 455-00278	Dark Grey	Light Grey	No	120 x 60 x 30
RND 455-00279	Dark Grey	Light Grey	No	120 x 60 x 40
RND 455-00280	Dark Grey	Light Grey	No	120 x 60 x 50
RND 455-00281	Dark Grey	Light Grey	Yes	150 x 80 x 30
RND 455-00282	Dark Grey	Light Grey	Yes	150 x 80 x 45
RND 455-00283	Dark Grey	Light Grey	Yes	150 x 80 x 60
RND 455-00284	Dark Grey	Light Grey	Yes	190 x 100 x 40
RND 455-00285	Dark Grey	Light Grey	Yes	190 x 100 x 60
RND 455-00286	Dark Grey	Light Grey	Yes	190 x 100 x 80



RND 455-00275

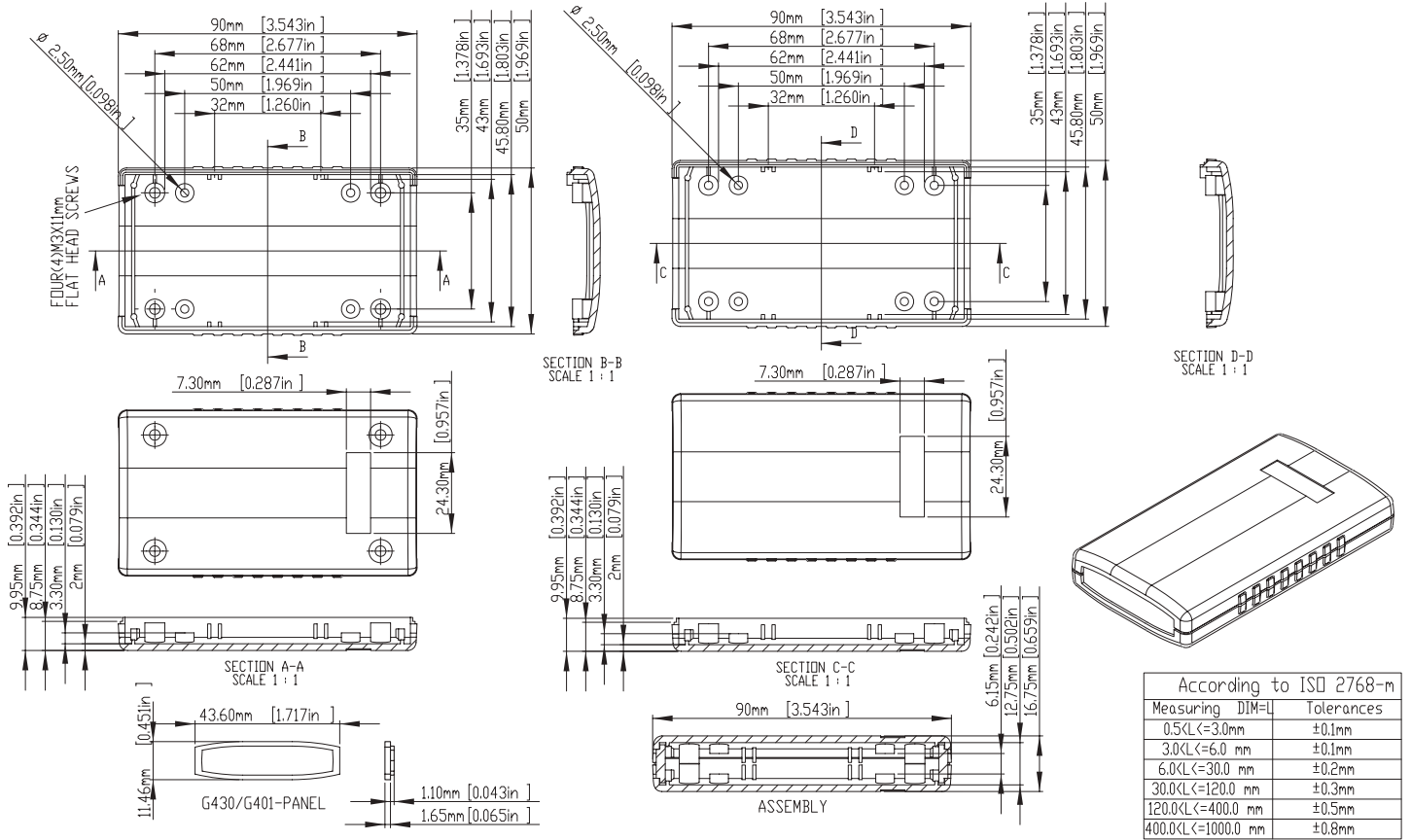
Content RND 455-00275



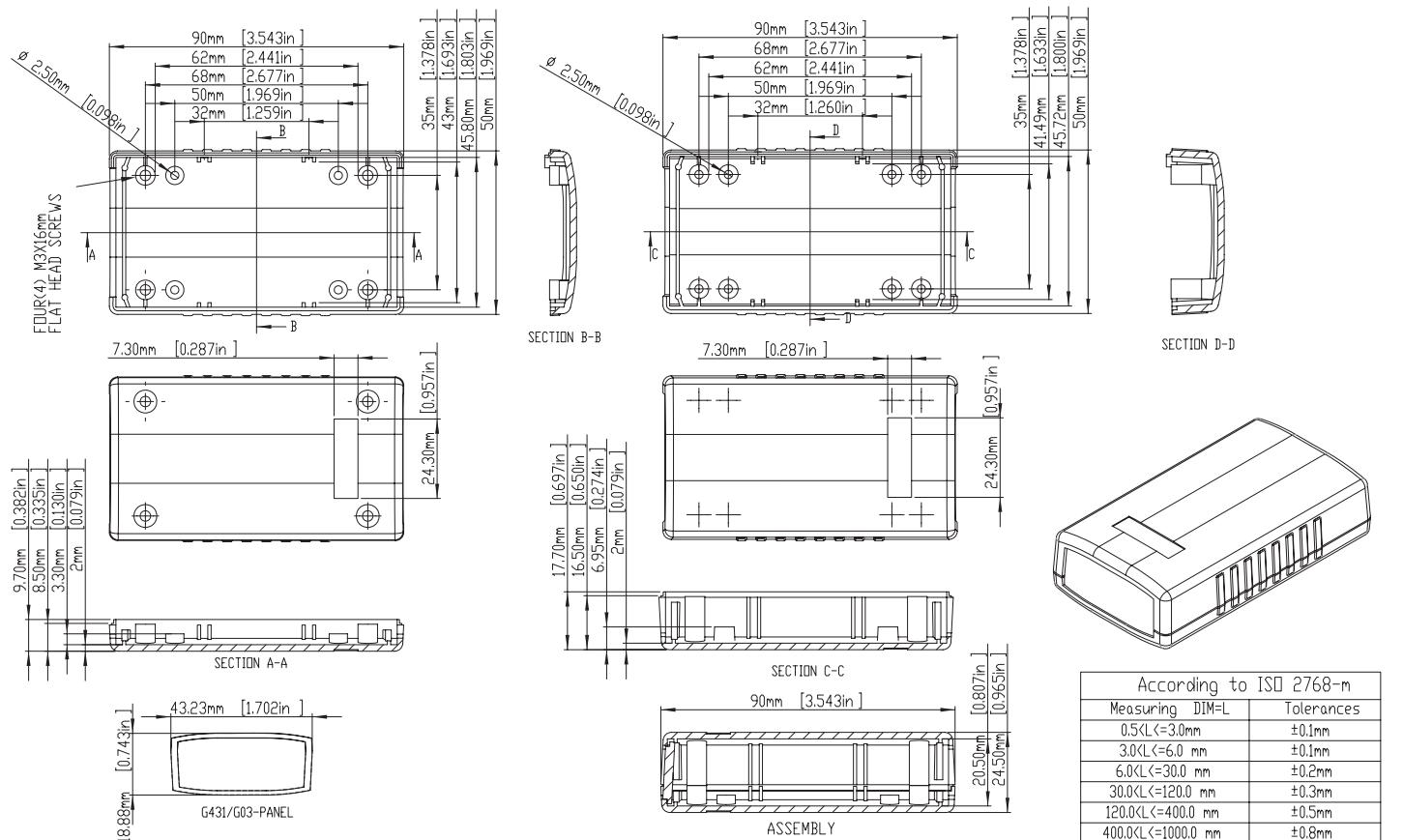
Content RND 455-00281 (with RUBBER FEET)



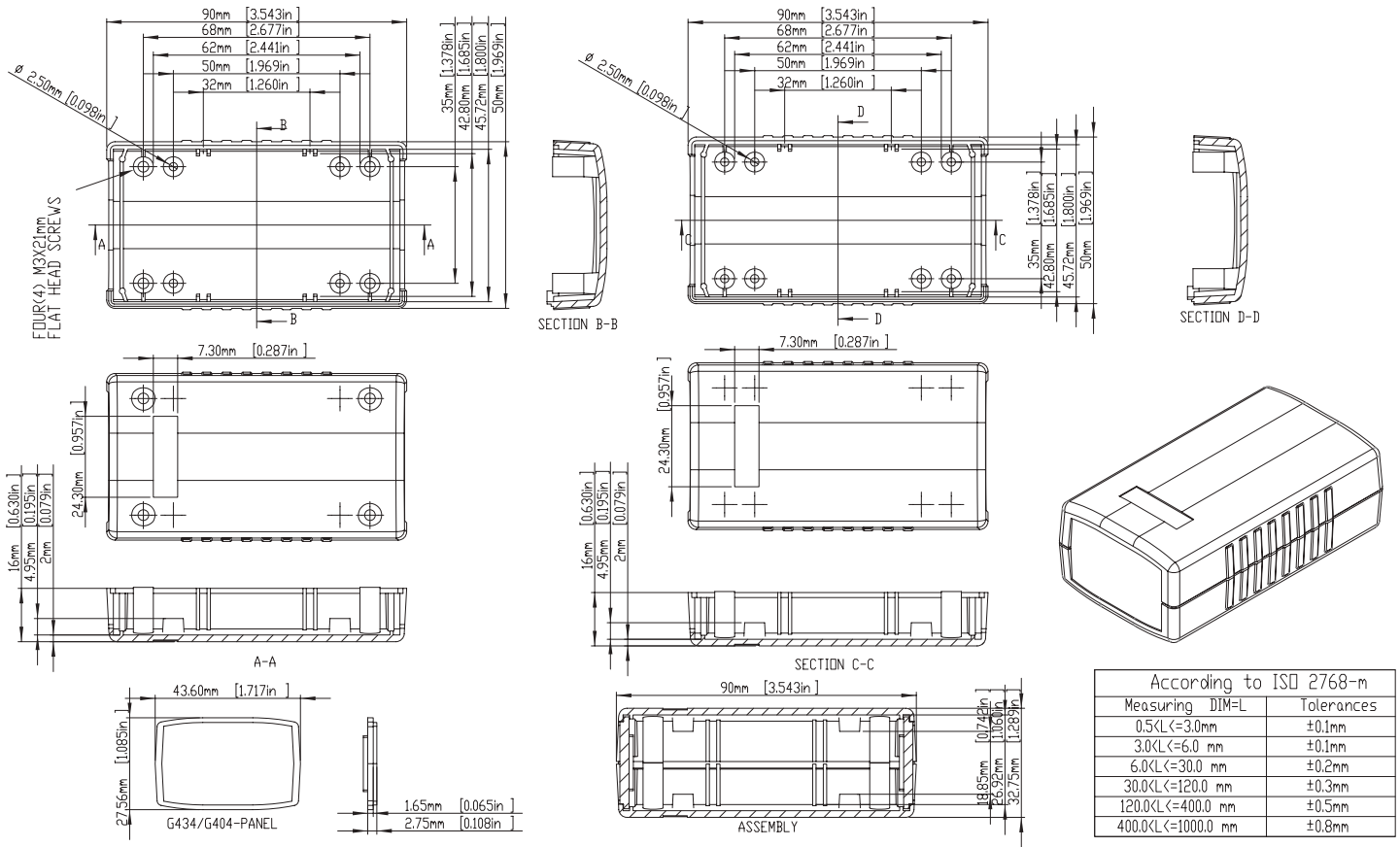
RND 455-00287 / RND 455-00275



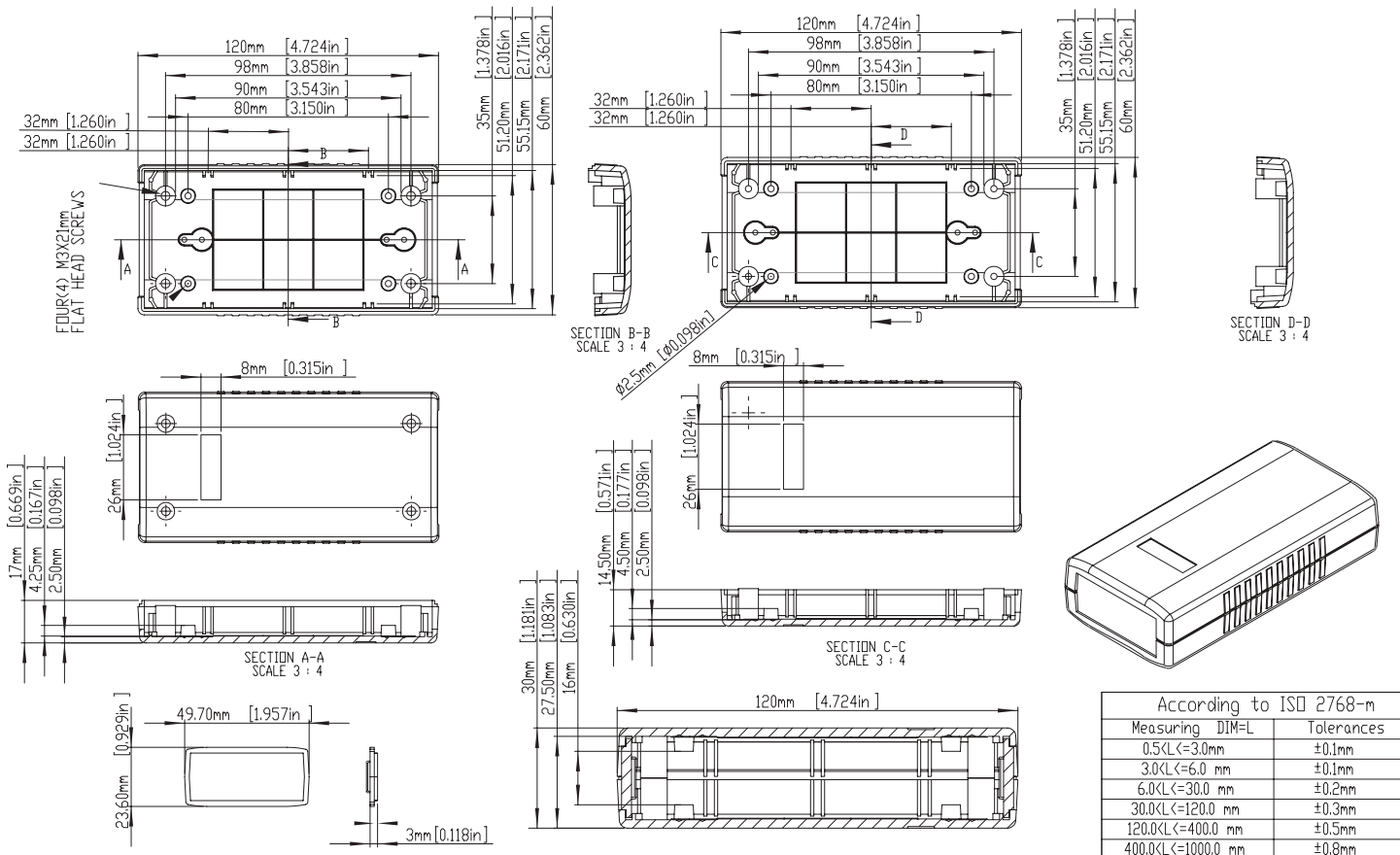
RND 455-00288 / RND 455-00276



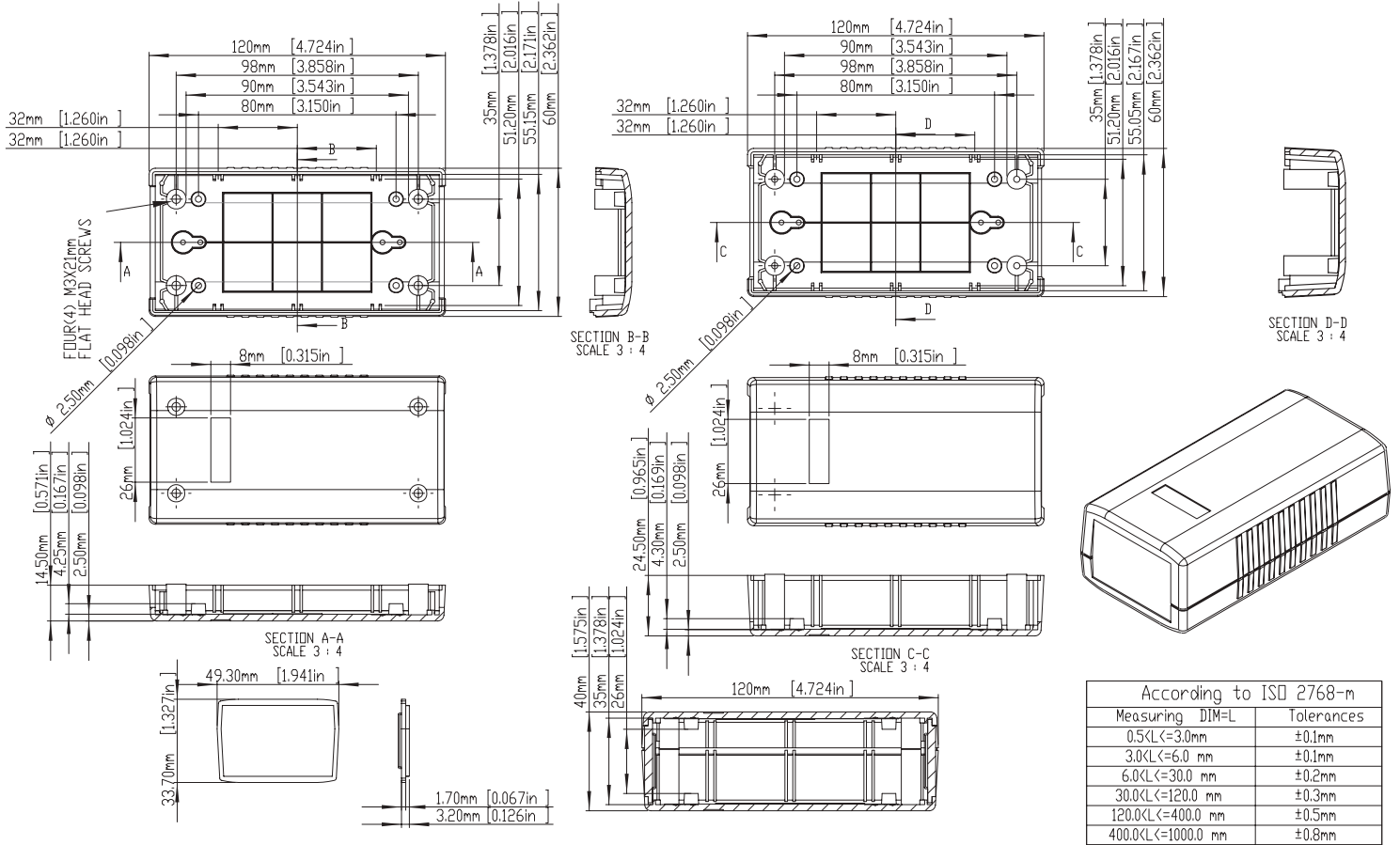
RND 455-00289 / RND 455-00277



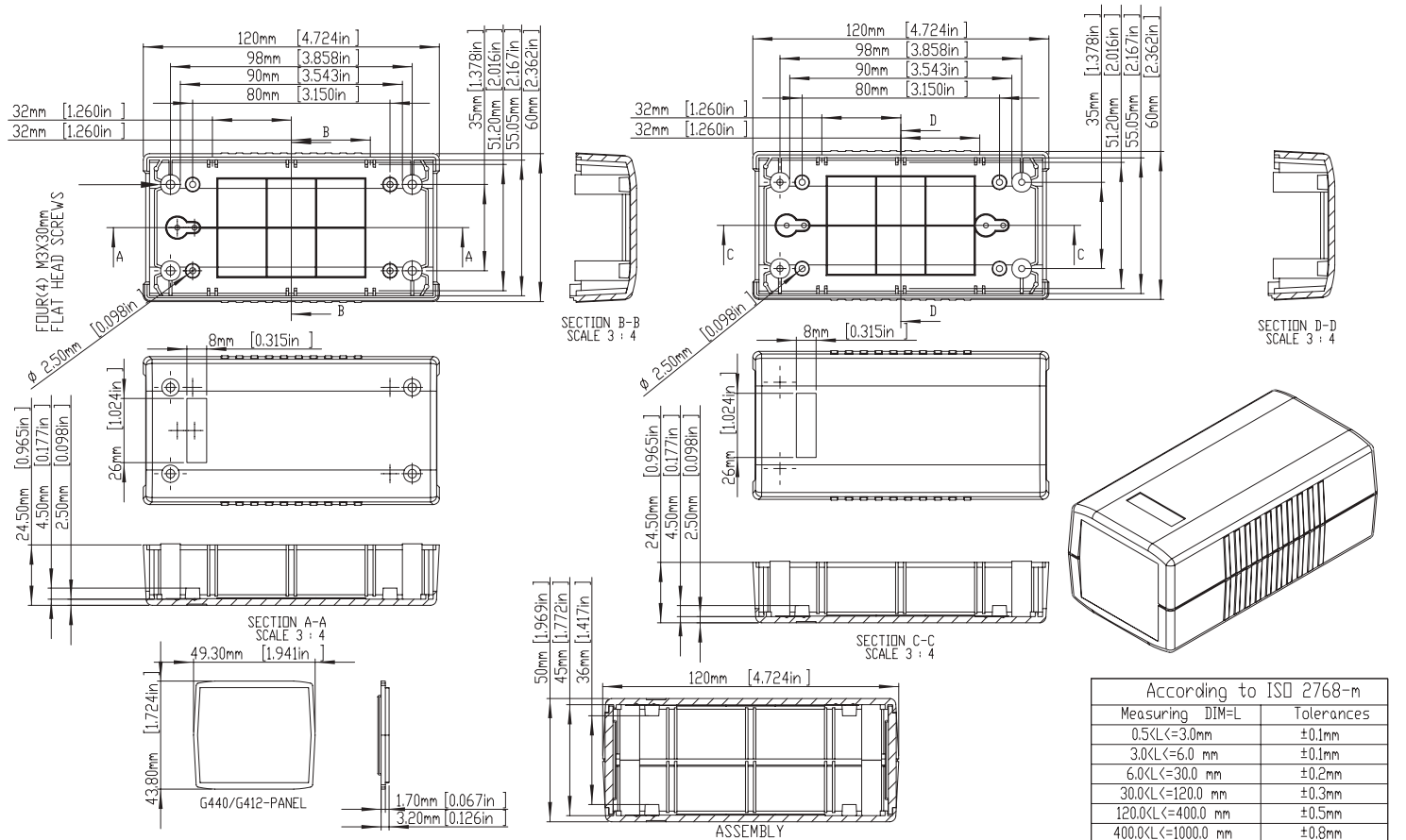
RND 455-00290 / RND 455-00278



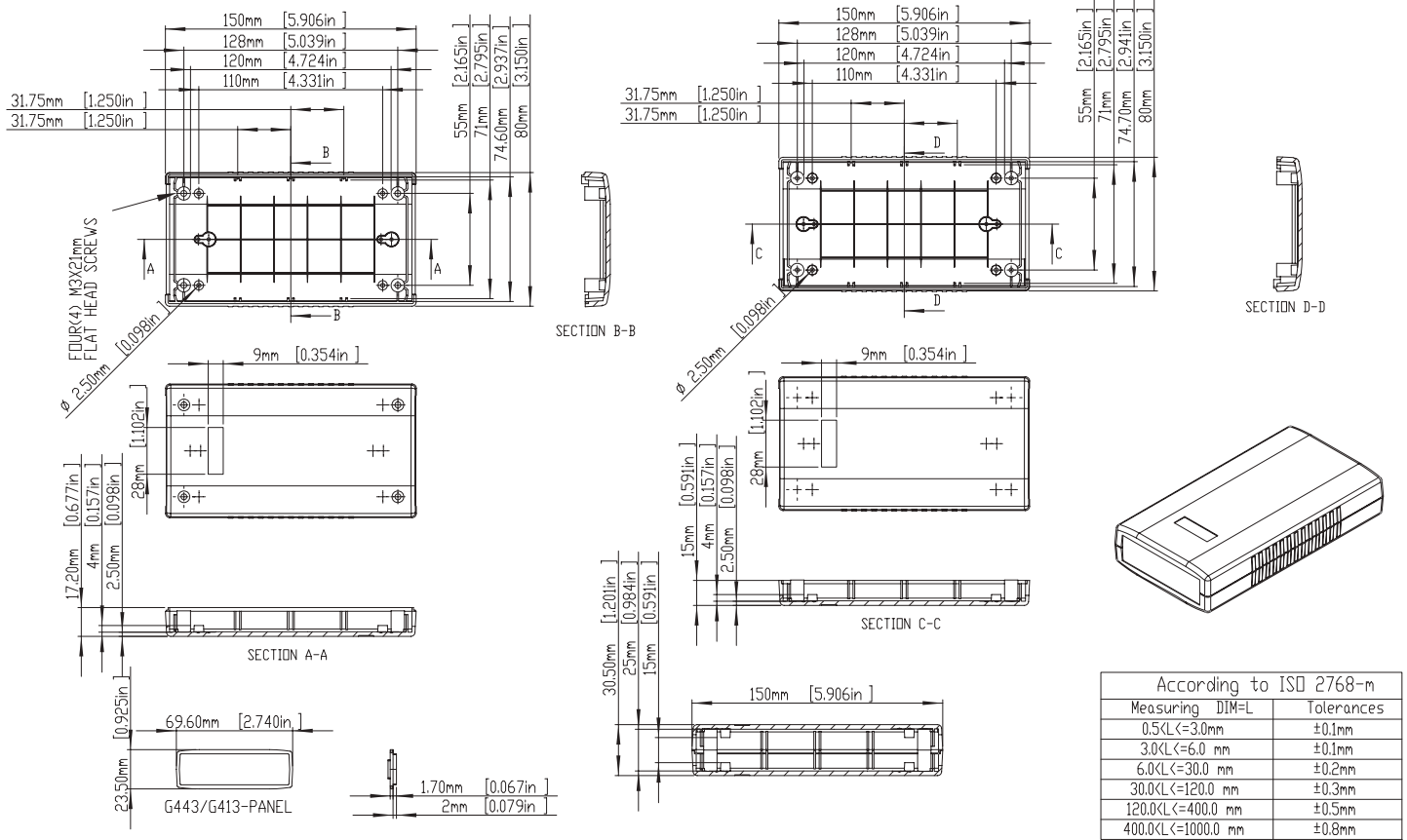
RND 455-00291 / RND 455-00279



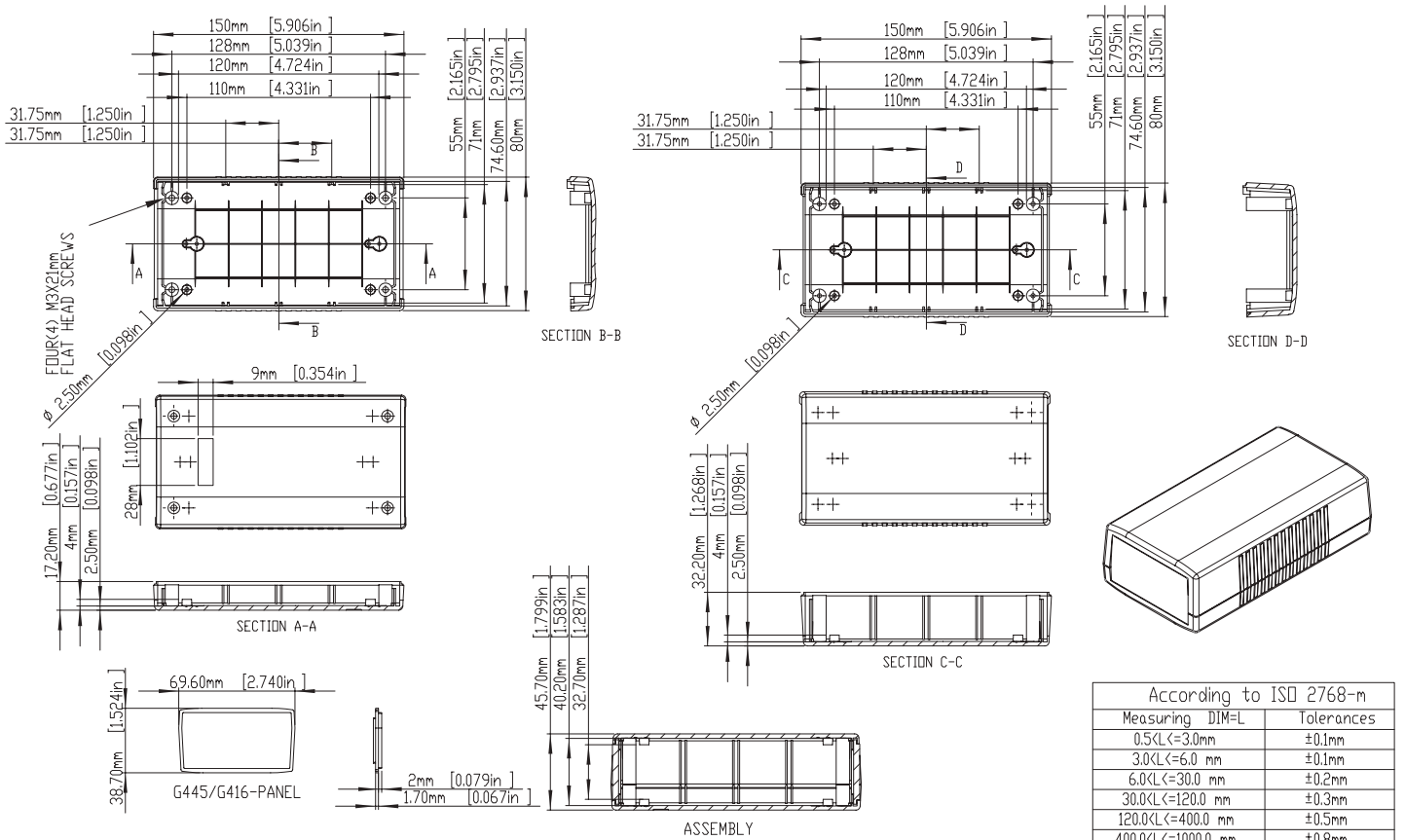
RND 455-00292 / RND 455-00280



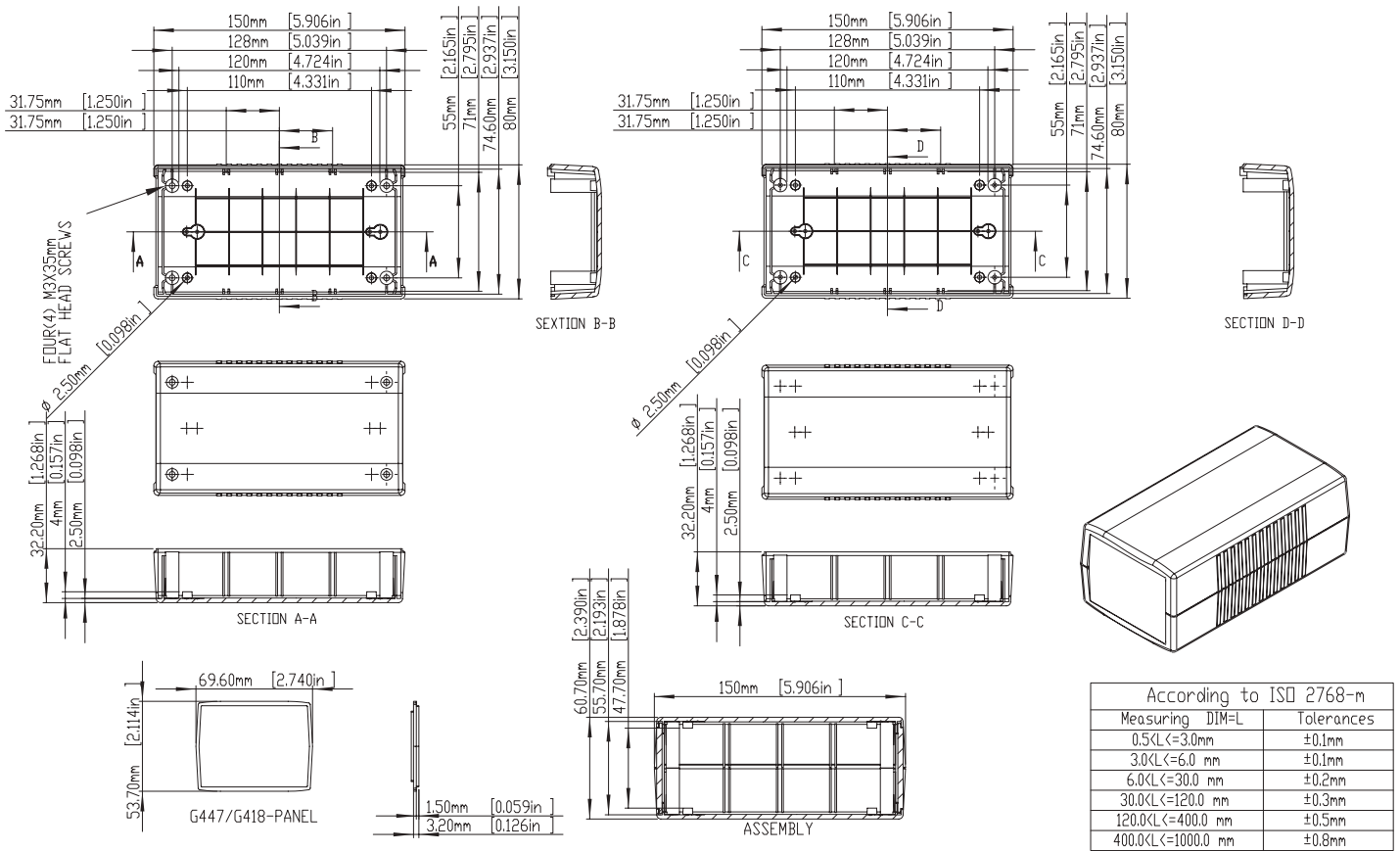
RND 455-00293 / RND 455-00281



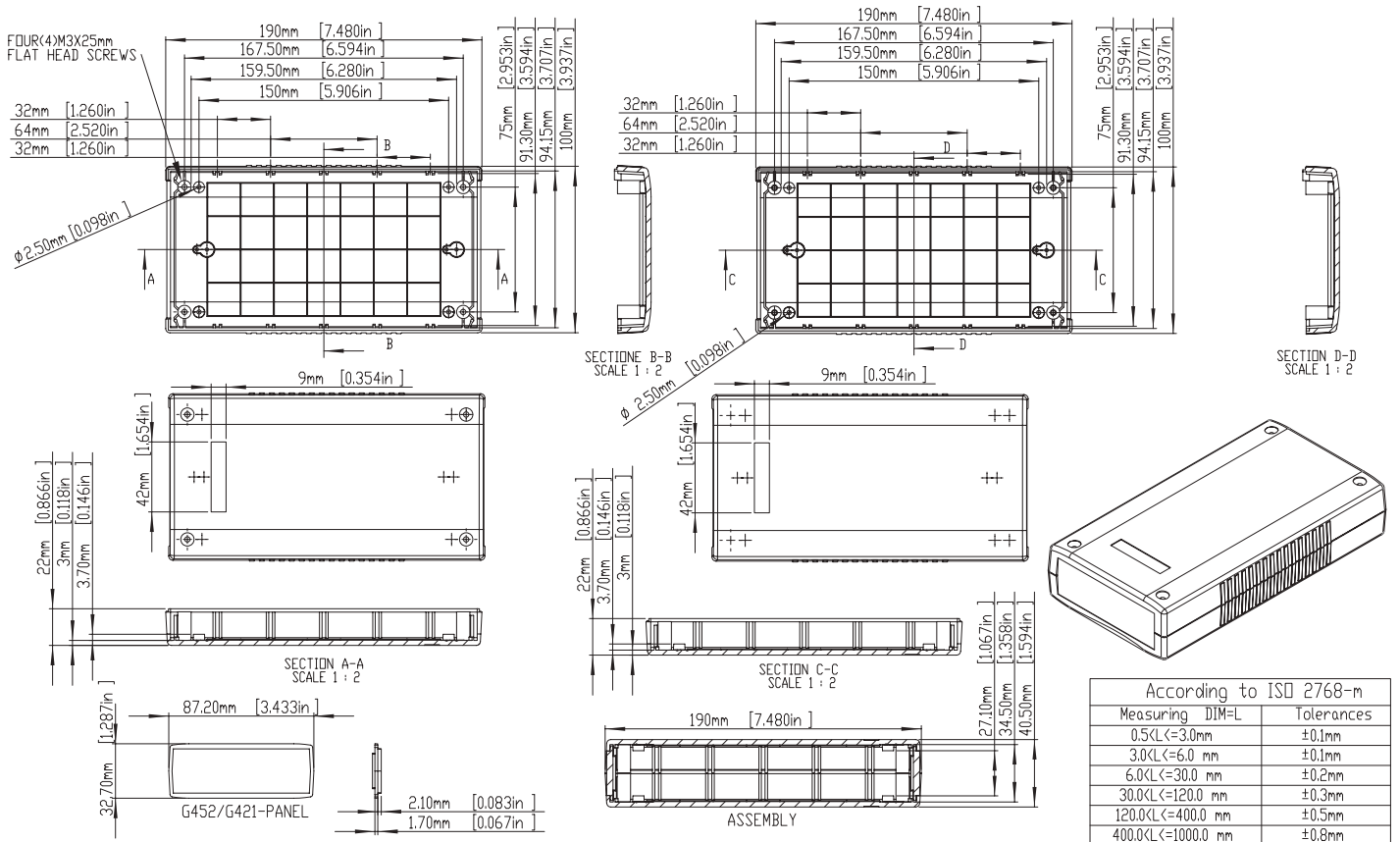
RND 455-00294 / RND 455-00282



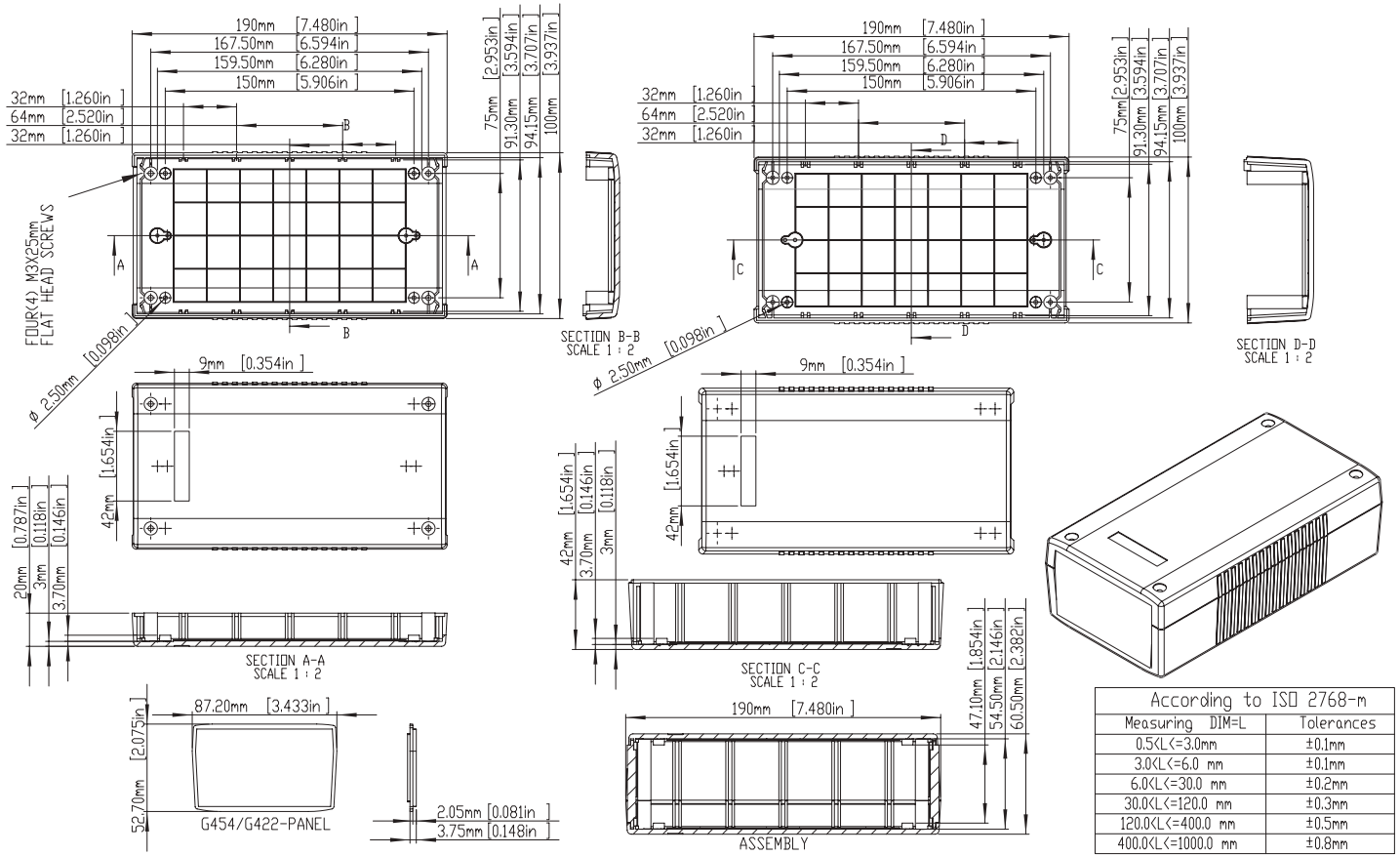
RND 455-00295 / RND 455-00283



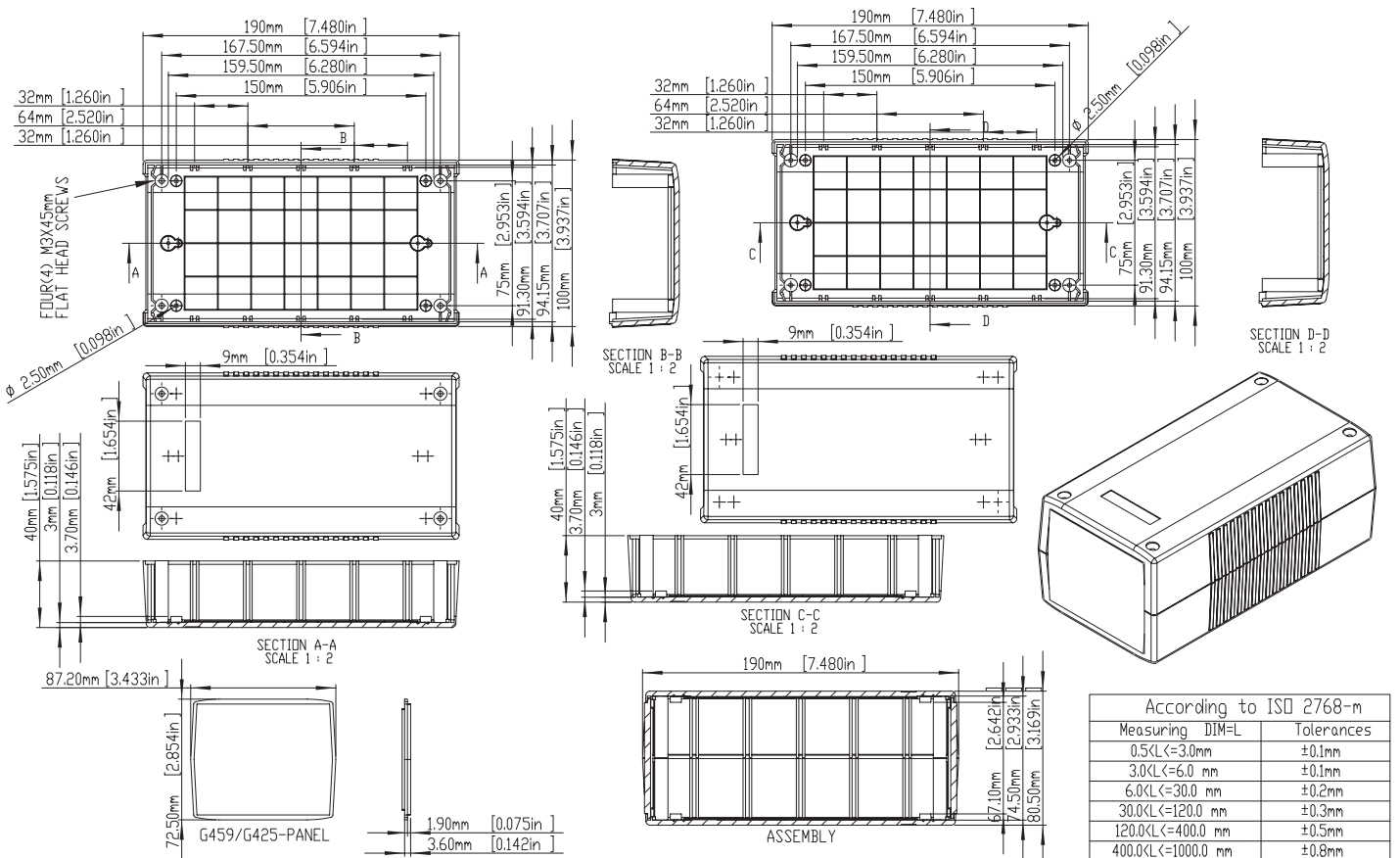
RND 455-00296 / RND 455-00284



RND 455-00297 / RND 455-00286



RND 455-00298 / RND 455-00286



Hand-Held Electronic Enclosures



PRODUCT INFORMATION

MATERIAL:

- High-impact ABS plastic, grey and black colour.

FEATURES:

- Designed to accept two or four "AA" battery & 9V 216 type.
- RND 455-00917 => 2 AA Battery contact kit is optional for ordering.
- RND 455-00906 => 4 AA Battery contact kit is optional for ordering.
- RND 455-00901 Clip
=> Black belt clip (*optional)
- RND 455-00900 Clip
=> Grey belt clip (*optional)
- RND 455-00919 & RND 455-00920 - tilt stand is optional for selection.



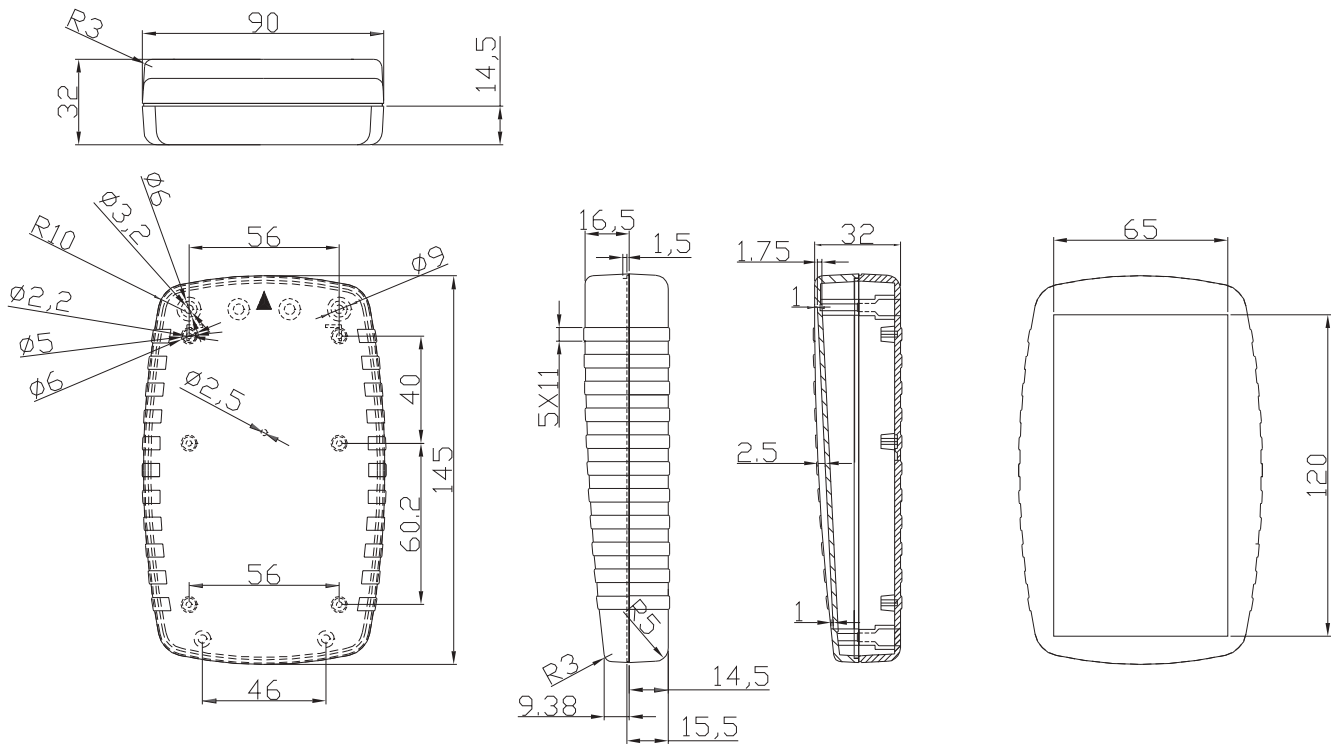
RND 455-00917



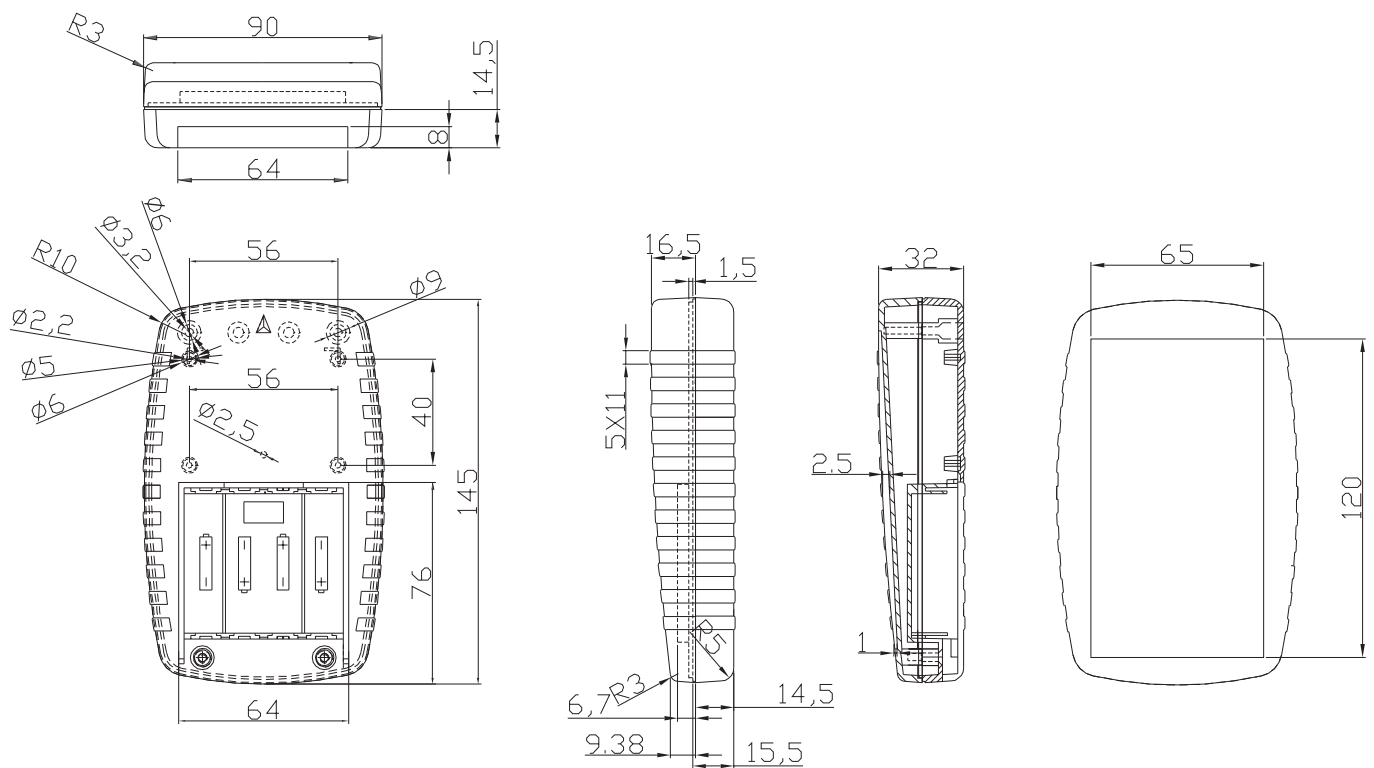
RND 455-00906

ITEM No.	COLOUR	RECESSED DISPLAY AREA	BATTERY COMPARTMENT	EXTERNAL DIMENSION(mm)
RND 455-00907	Grey	120 x 65 mm	NO	120 x 65 mm
RND 455-00908	Black	120 x 65 mm	NO	120 x 65 mm
RND 455-00909	Grey	120 x 65 mm	Yes	120 x 65 mm
RND 455-00910	Black	120 x 65 mm	Yes	120 x 65 mm
RND 455-00911	Grey	140 x 70 mm	NO	140 x 70 mm
RND 455-00912	Black	140 x 70 mm	NO	140 x 70 mm
RND 455-00913	Grey	140 x 70 mm	Yes	140 x 70 mm
RND 455-00914	Black	140 x 70 mm	Yes	140 x 70 mm

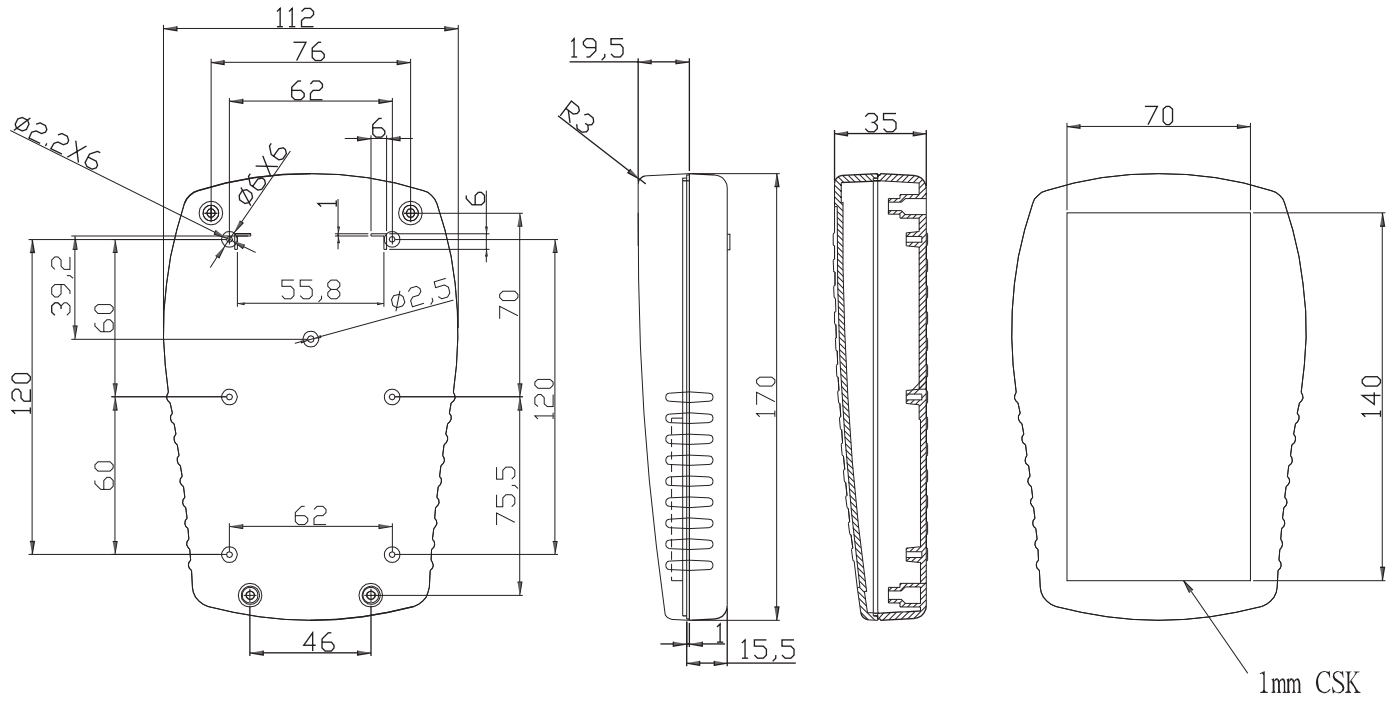
RND 455-00908 / RND 455-00907



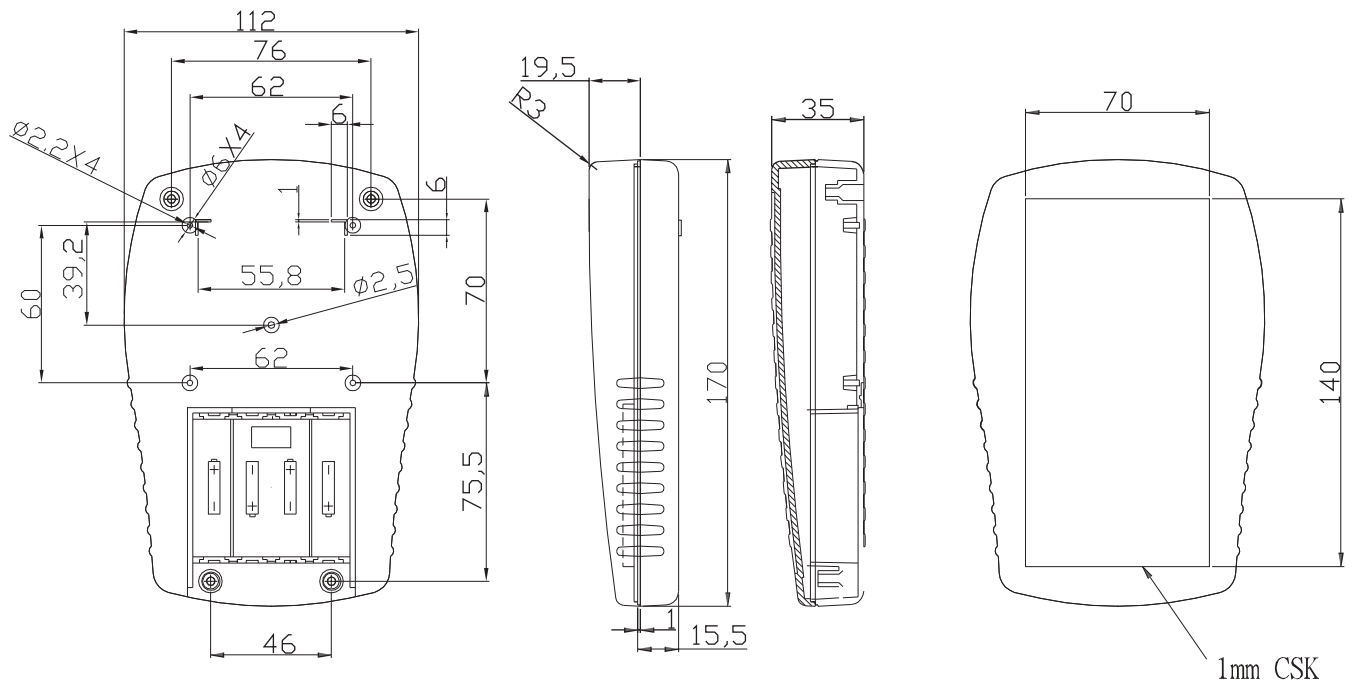
RND 455-00910 / RND 455-00909



RND 455-00912 / RND 455-00911



RND 455-00914 / RND 455-00913



Hand-Held Electronic Enclosures



RND 455-00900

RND 455-00901

PRODUCT INFORMATION

MATERIAL: High-impact ABS Plastic.

FEATURES:

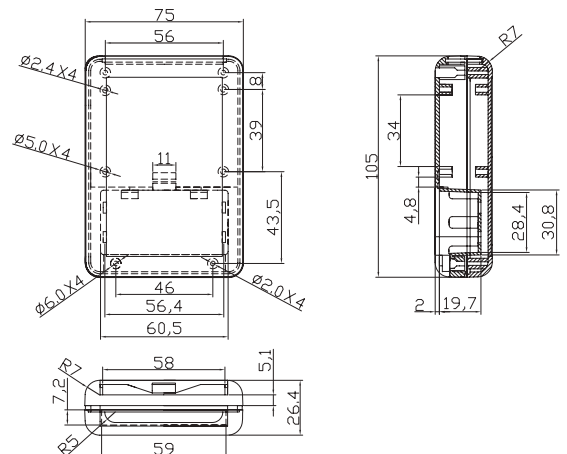
- Grey and black colour are available for selection.
- Designed to accept two "AA" battery.
- Grey and black belt clip are available for ordering.
- RND 455-00917 battery contact kit is available for ordering.

ITEM No.	EXTERNAL DIMENSION(mm)
RND 455-00950	105 X 75 X 26.4
RND 455-00951	105 X 75 X 26.4
RND 455-00917	AA Battery Contact Kit
RND 455-00900	Grey Belt Clip
RND 455-00901	Black Belt Clip

Example



RND 455-00917



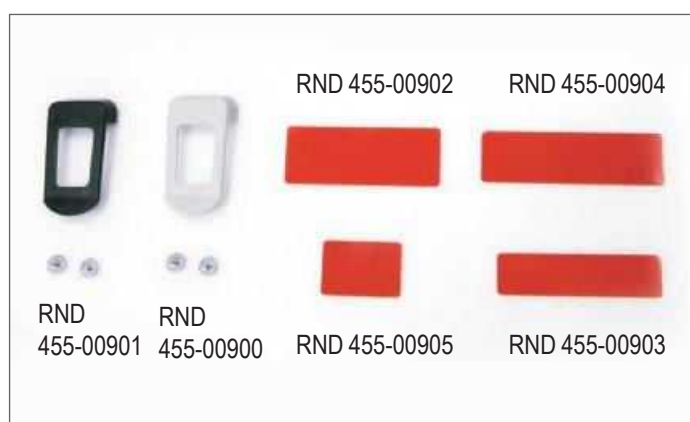
Hand-Held Electronic Enclosures



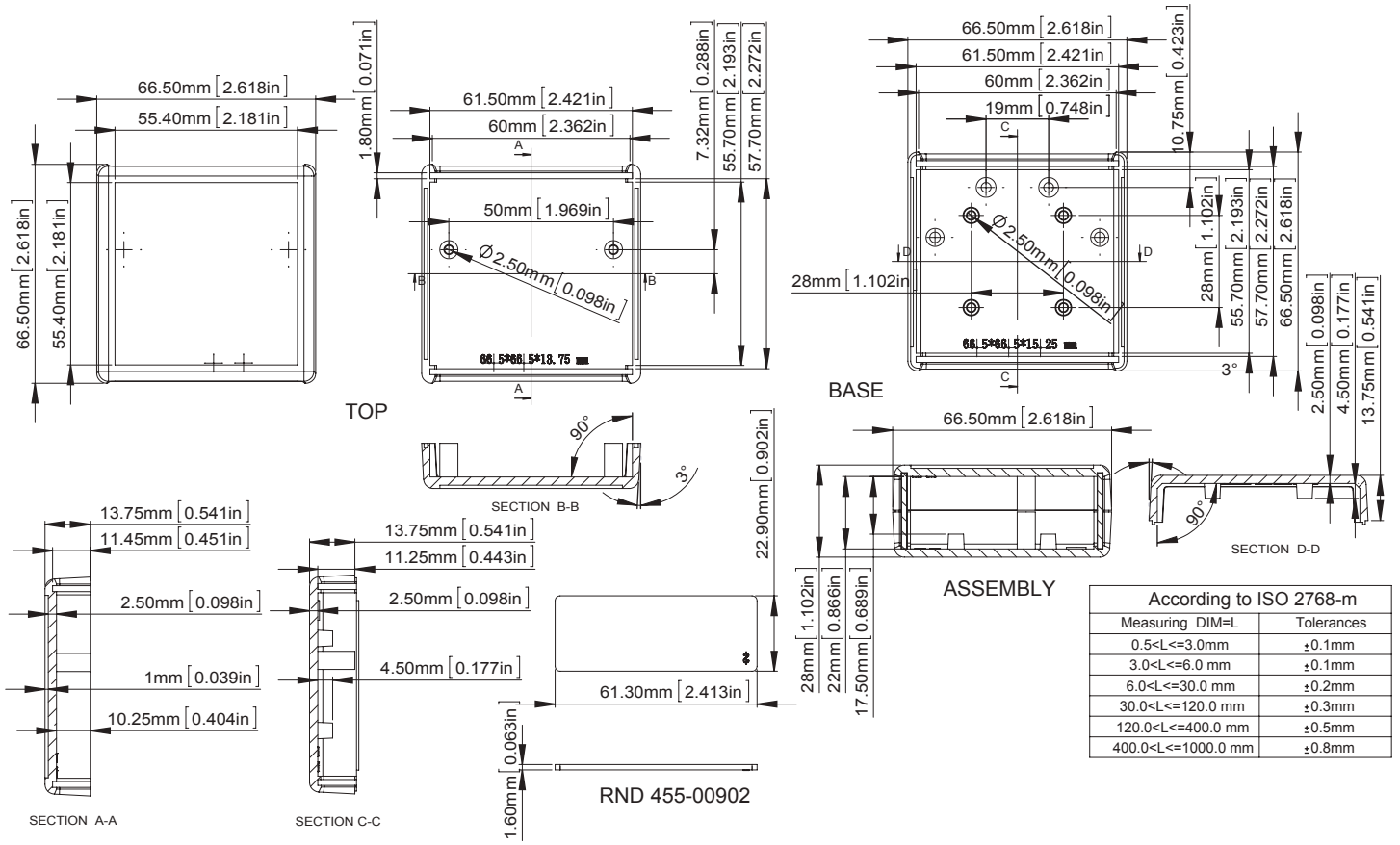
PRODUCT INFORMATION

- MATERIAL: High impact UL94-HB, ABS.
- Available in light grey and black colours.
- Ideally suitable for housing remote controls, medical devices, scientific instruments or communications equipment.
- Recessed area in the top lid, ideally suitable for membrane keypad use.

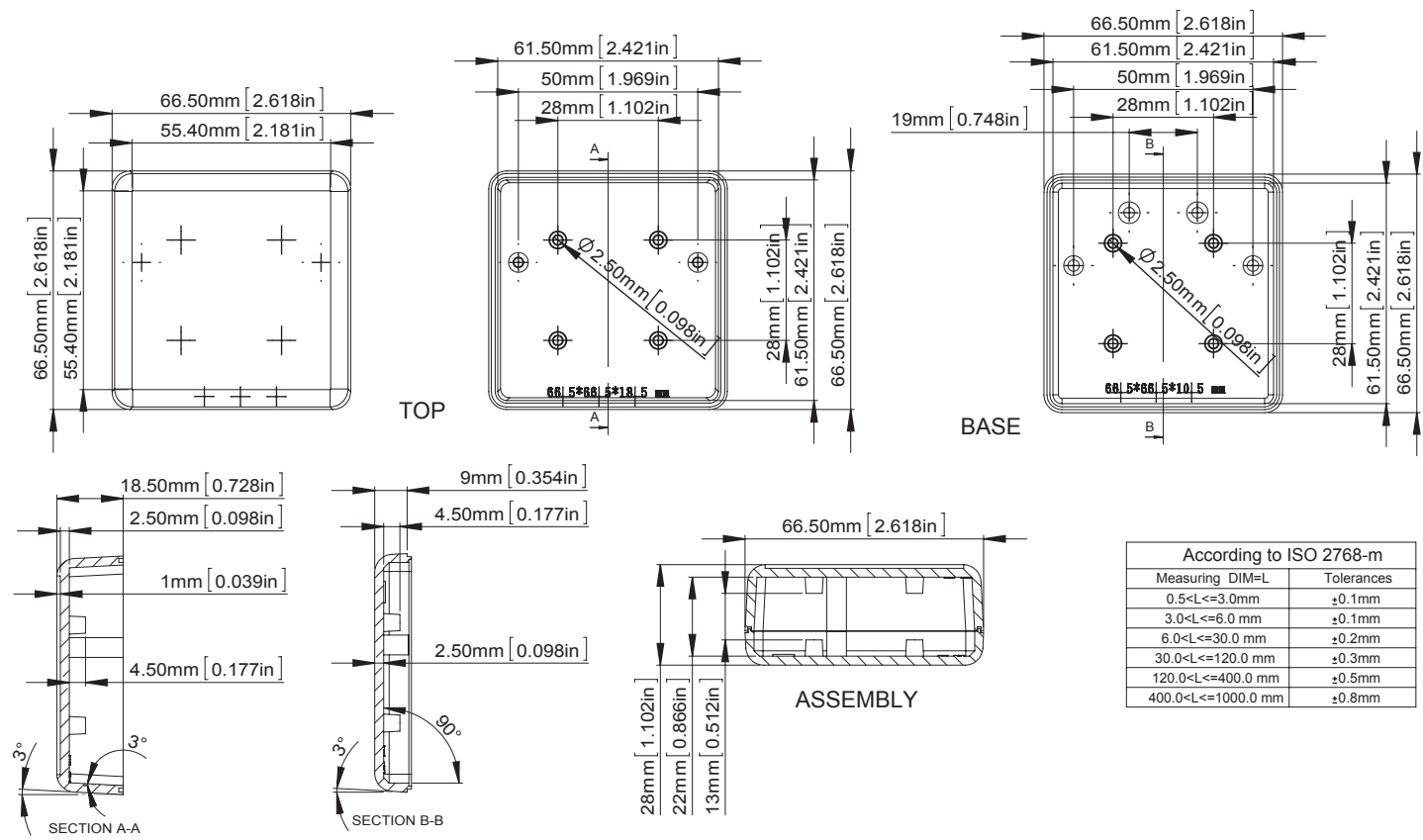
ITEM No.	EXTERNAL DIMENSION(mm)	DESCRIPTION
RND 455-00878	66.5 X 66.5 X 28	PLASTIC BOX ,GREY, WITH 2 END PANELS
RND 455-00879	66.5 X 66.5 X 28	PLASTIC BOX,BLACK, WITH 2 END PANELS
RND 455-00880	66.5 X 66.5 X 28	PLASTIC BOX,GREY
RND 455-00881	66.5 X 66.5 X 28	PLASTIC BOX,BLACK
RND 455-00882	92 X 66.5 X 21	PLASTIC BOX,GREY, WITH 1 END PANEL AND BATTERY COMPARTMENT
RND 455-00883	92 X 66.5 X 21	PLASTIC BOX,BLACK, WITH 1 END PANEL AND BATTERY COMPARTMENT
RND 455-00884	92 X 66.5 X 28	PLASTIC BOX,GREY, WITH 1 END PANEL AND BATTERY COMPARTMENT
RND 455-00885	92 X 66.5 X 28	PLASTIC BOX,BLACK, WITH 1 END PANEL AND BATTERY COMPARTMENT
RND 455-00886	92 X 66.5 X 28	PLASTIC BOX,GREY, WITH 2 END PANELS
RND 455-00887	92 X 66.5 X 28	PLASTIC BOX,BLACK, WITH 2 END PANELS
RND 455-00888	111.3 X 75 X 25.2	PLASTIC BOX,GREY, WITH 2 END PANELS
RND 455-00889	111.3 X 75 X 25.2	PLASTIC BOX,BLACK, WITH 2 END PANELS
RND 455-00890	112 X 66.5 X 21	PLASTIC BOX,GREY, WITH 1 END PANEL AND BATTERY COMPARTMENT
RND 455-00891	112 X 66.5 X 21	PLASTIC BOX,BLACK, WITH 1 END PANEL AND BATTERY COMPARTMENT
RND 455-00892	112 X 66.5 X 28	PLASTIC BOX,GREY, WITH 1 END PANEL AND BATTERY COMPARTMENT
RND 455-00893	112 X 66.5 X 28	PLASTIC BOX,BLACK , WITH 1 END PANEL AND BATTERY COMPARTMENT
RND 455-00894	114 X 35.7 X 25.8	PLASTIC BOX,GREY, WITH 2 END PANELS
RND 455-00895	114 X 35.7 X 25.8	PLASTIC BOX,BLACK, WITH 2 END PANELS
RND 455-00896	140 X 66.5 X 28	PLASTIC BOX,GREY, WITH 1 END PANEL AND BATTERY COMPARTMENT
RND 455-00897	140 X 66.5 X 28	PLASTIC BOX,BLACK, WITH 1 END PANEL AND BATTERY COMPARTMENT
RND 455-00898	140 X 66.5 X 28	PLASTIC BOX,GREY, WITH 2 END PANELS
RND 455-00899	140 X 66.5 X 28	PLASTIC BOX,BLACK, WITH 2 END PANELS
RND 455-00902	61.2 X 22.9 X 1.6	IR PANEL
RND 455-00903	61.2 X 15.7 X 1.6	IR PANEL
RND 455-00904	69.7 X 19.9 X 1.6	IR PANEL
RND 455-00905	30.4 X 20.5 X 1.6	IR PANEL



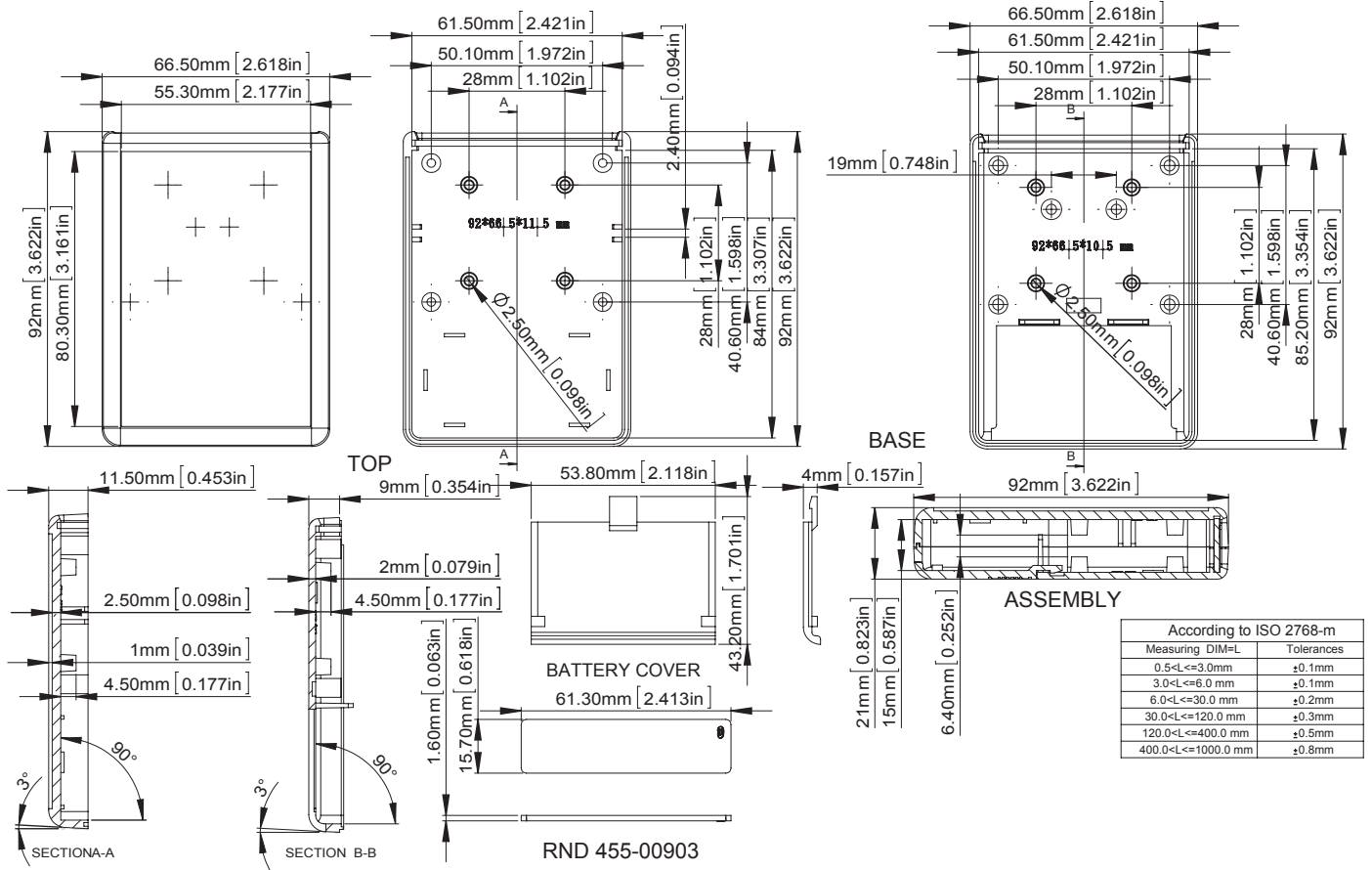
RND 455-00879 / RND 455-00878



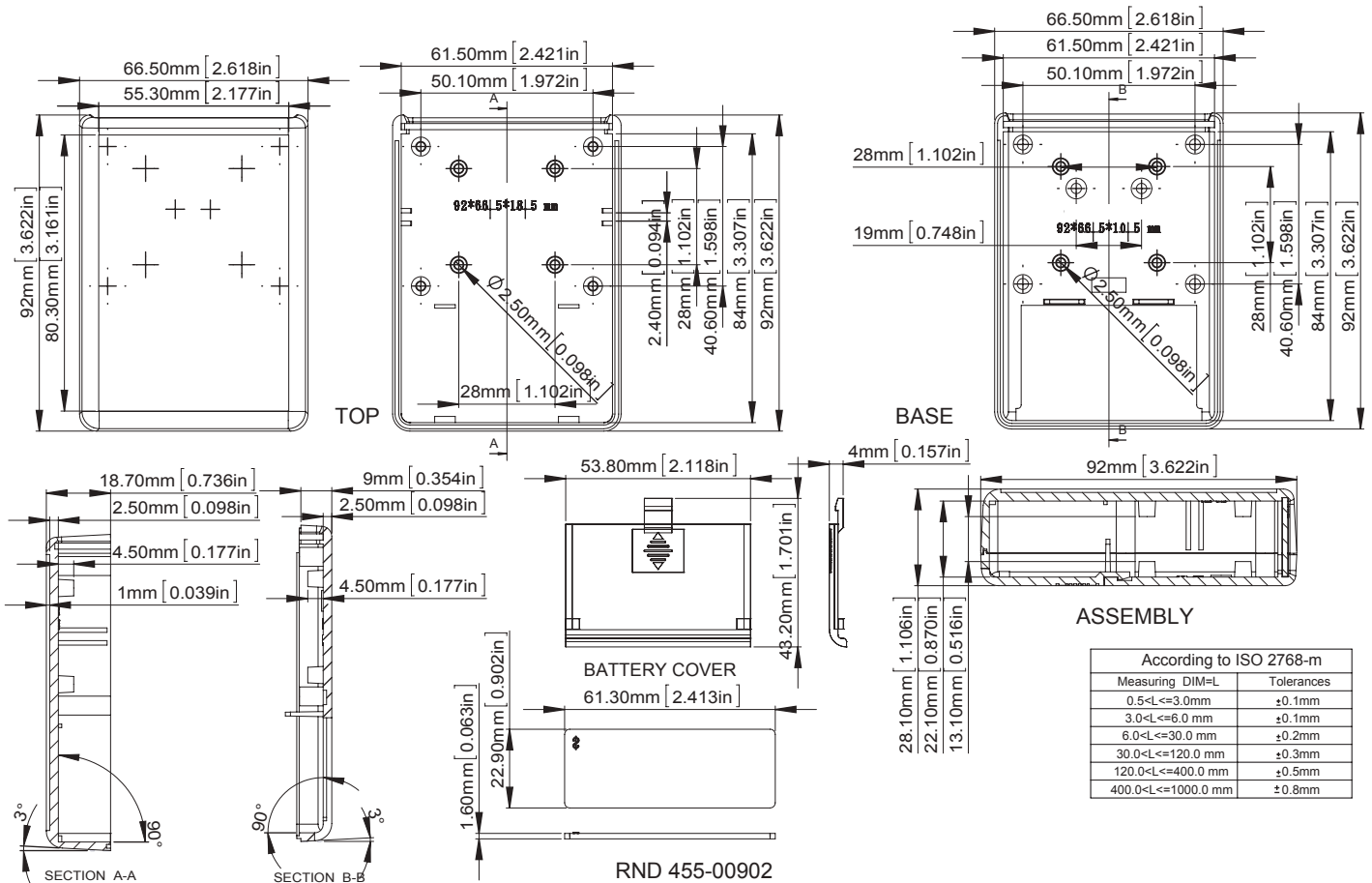
RND 455-00881 / RND 455-00880



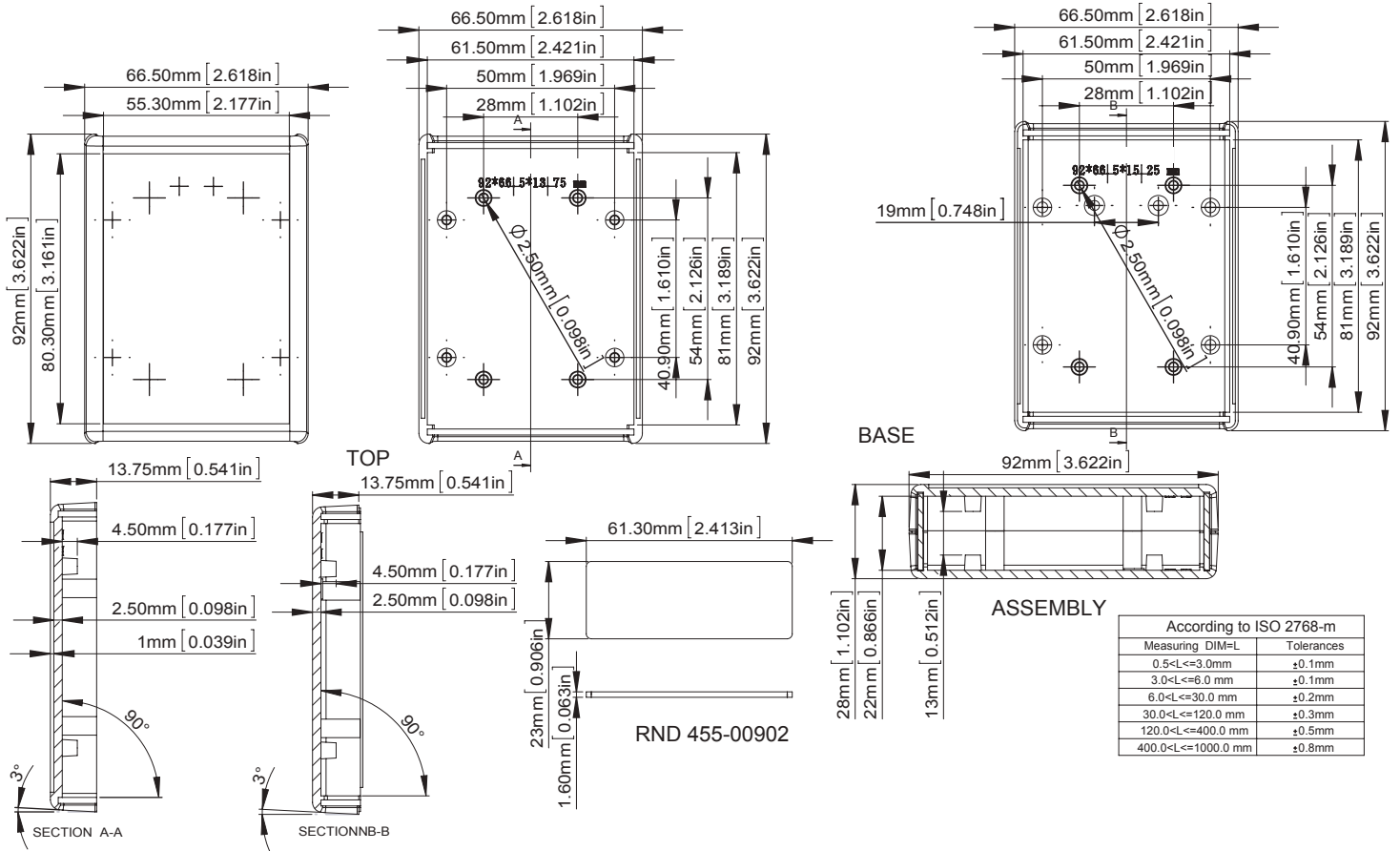
RND 455-00883 / RND 455-00882



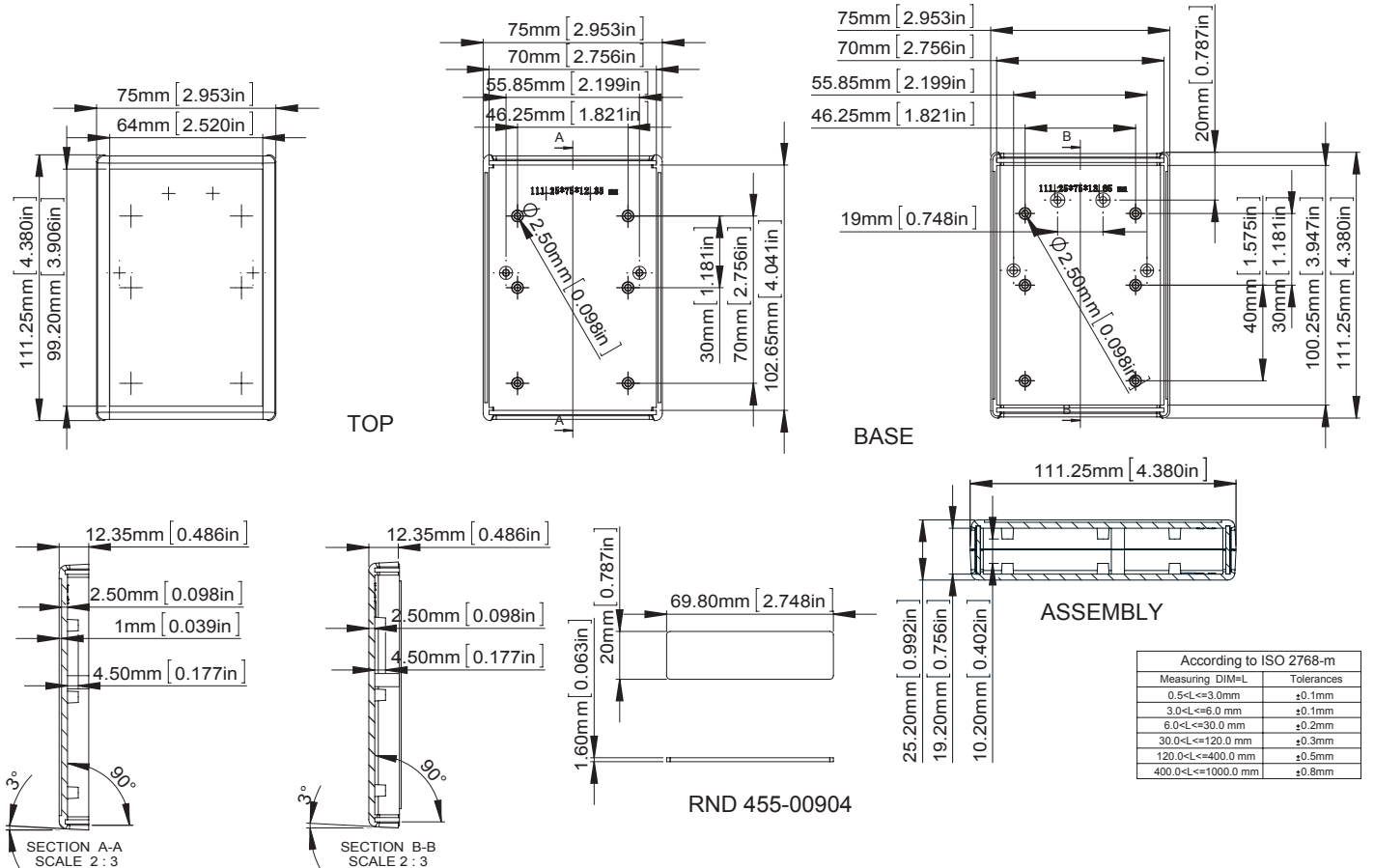
RND 455-00885 / RND 455-00884



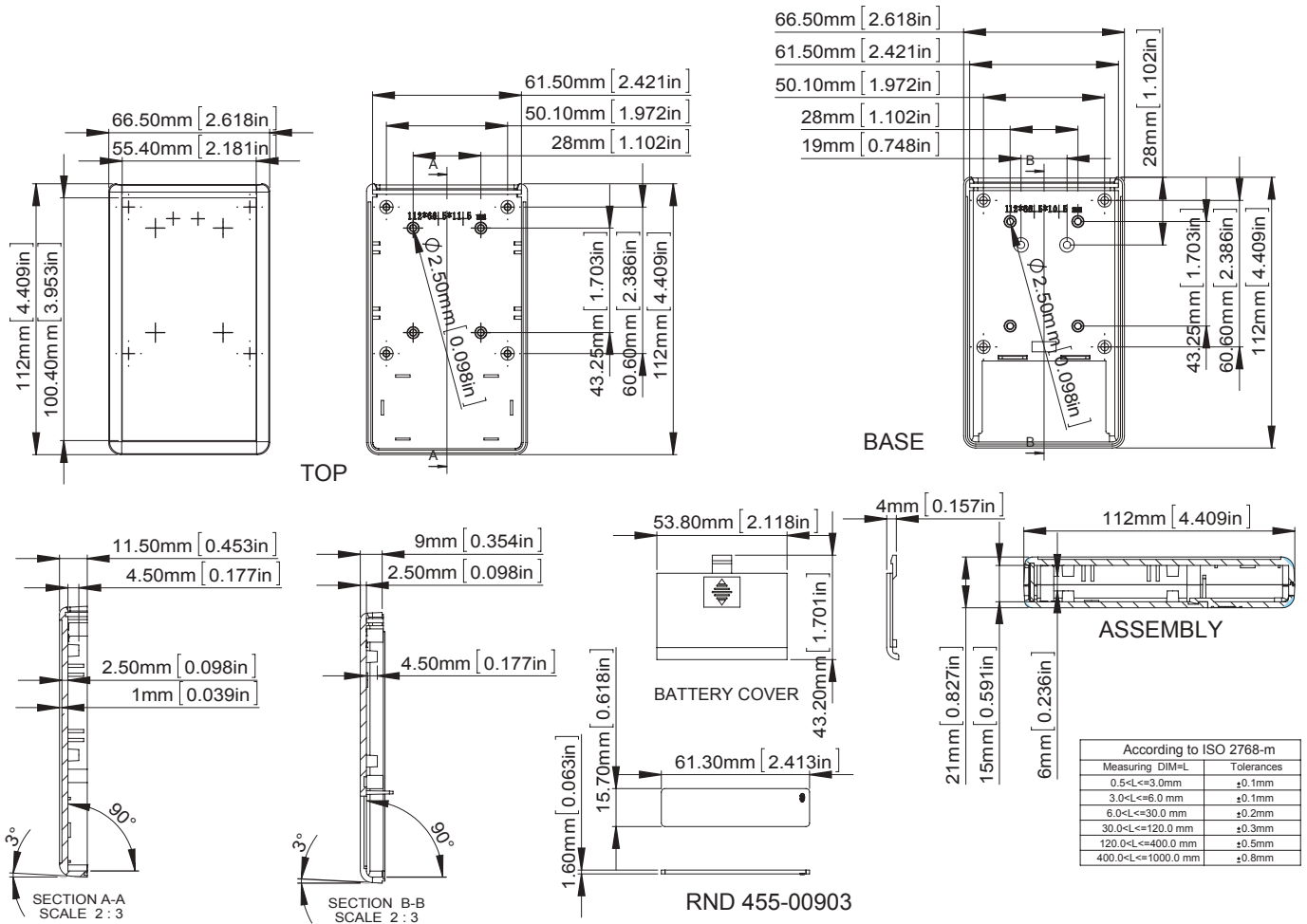
RND 455-00887 / RND 455-00886



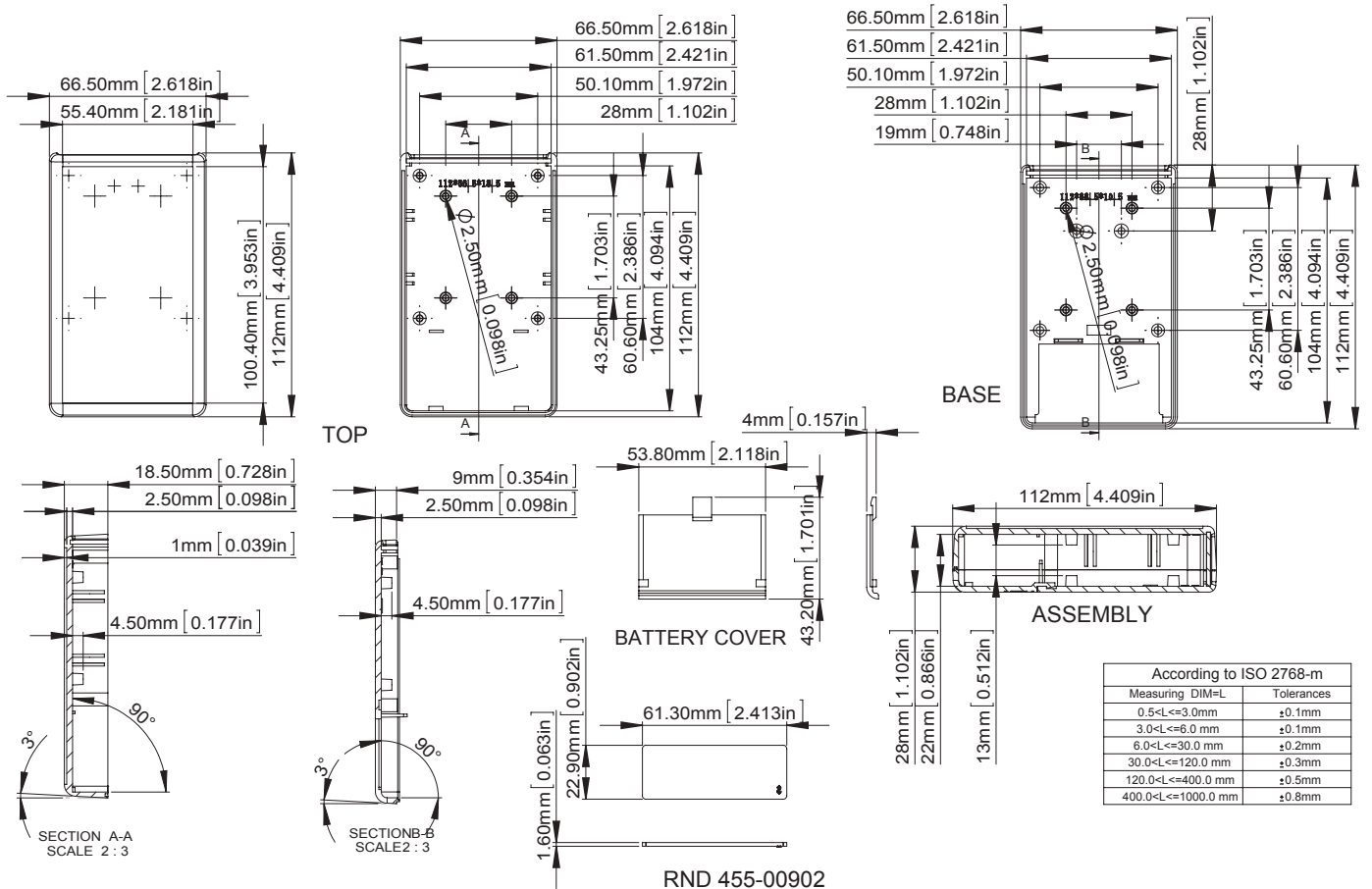
RND 455-00889 / RND 455-00888



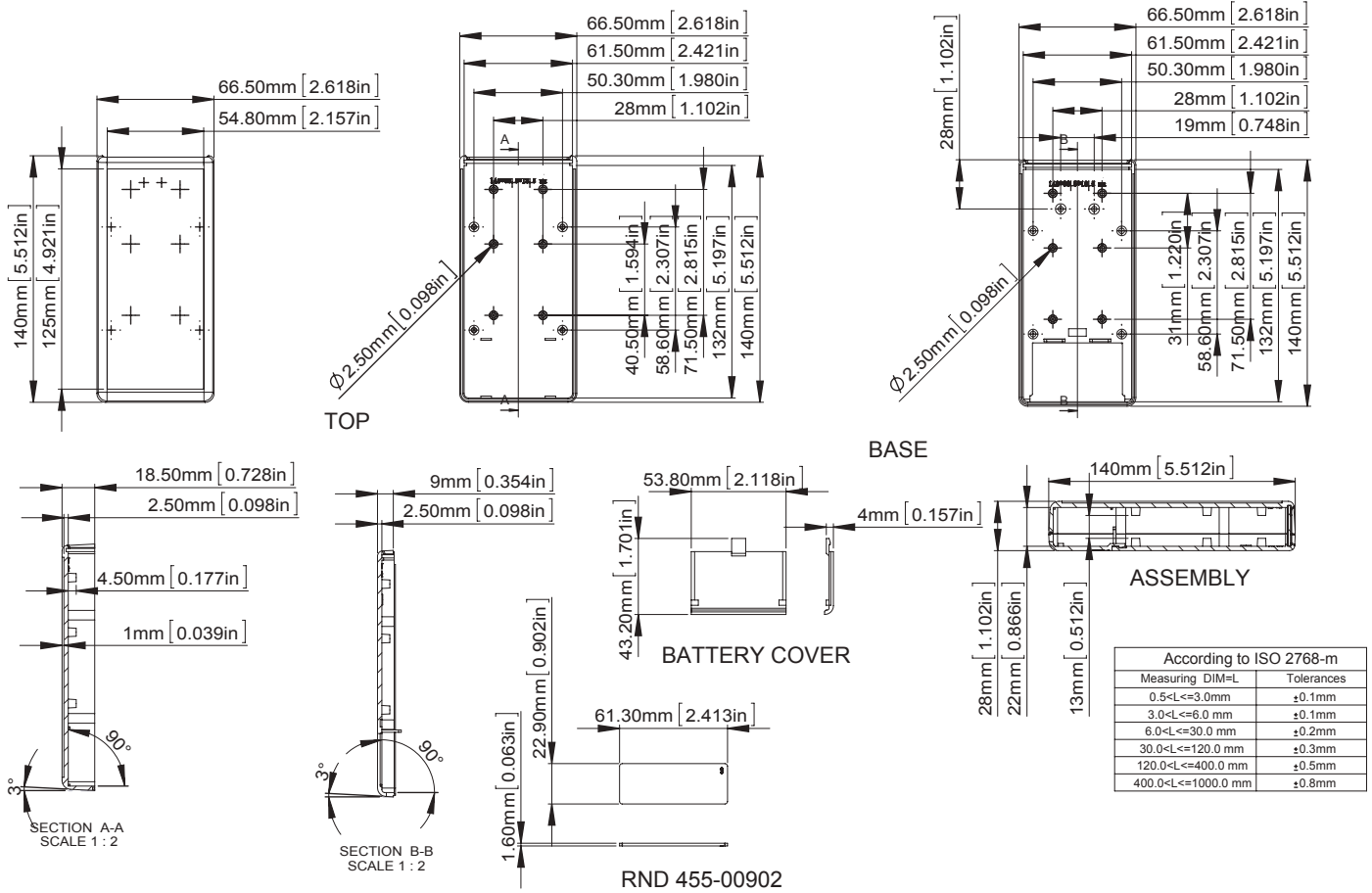
RND 455-00891 / RND 455-00890



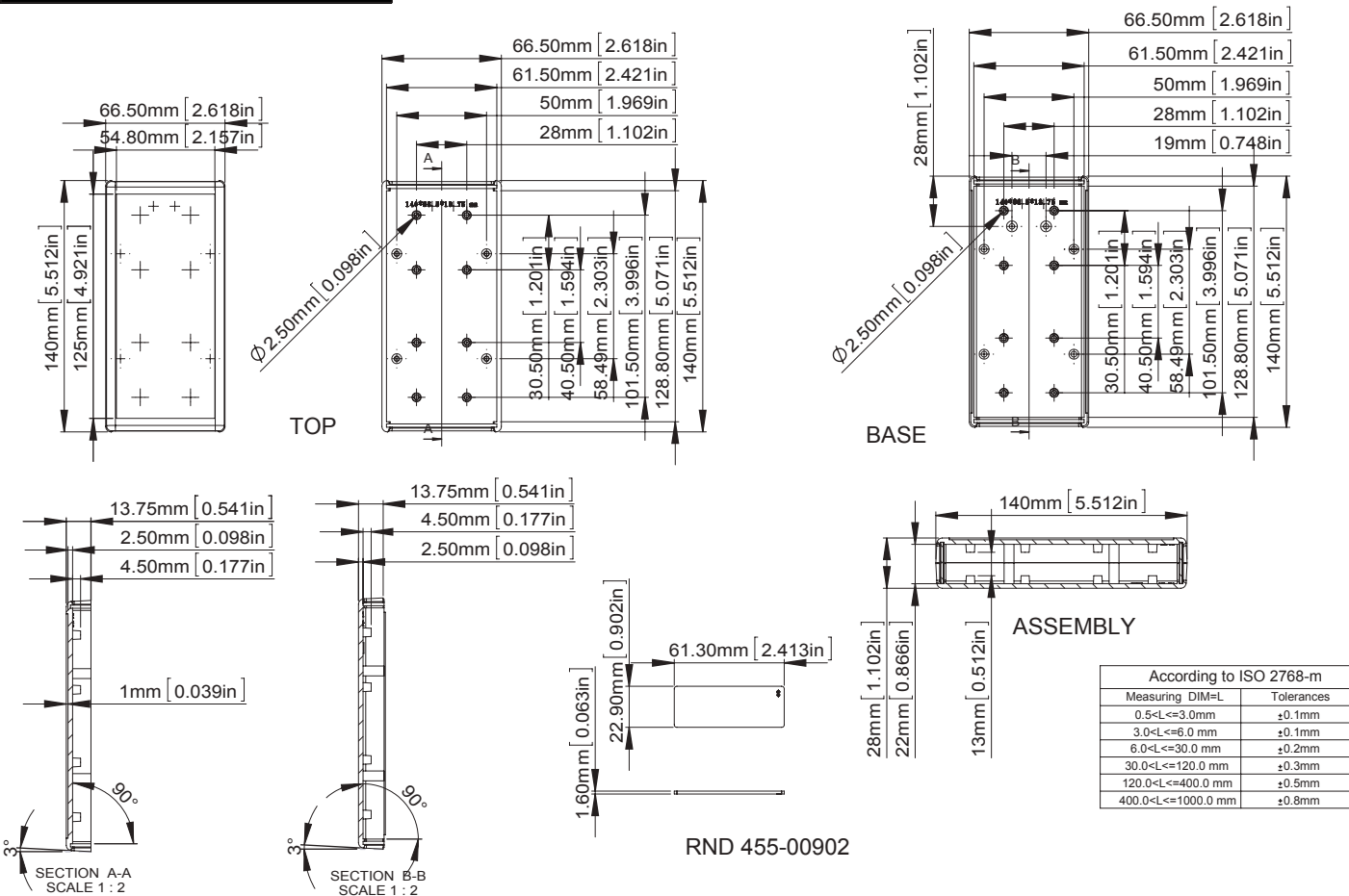
RND 455-00893 / RND 455-00892



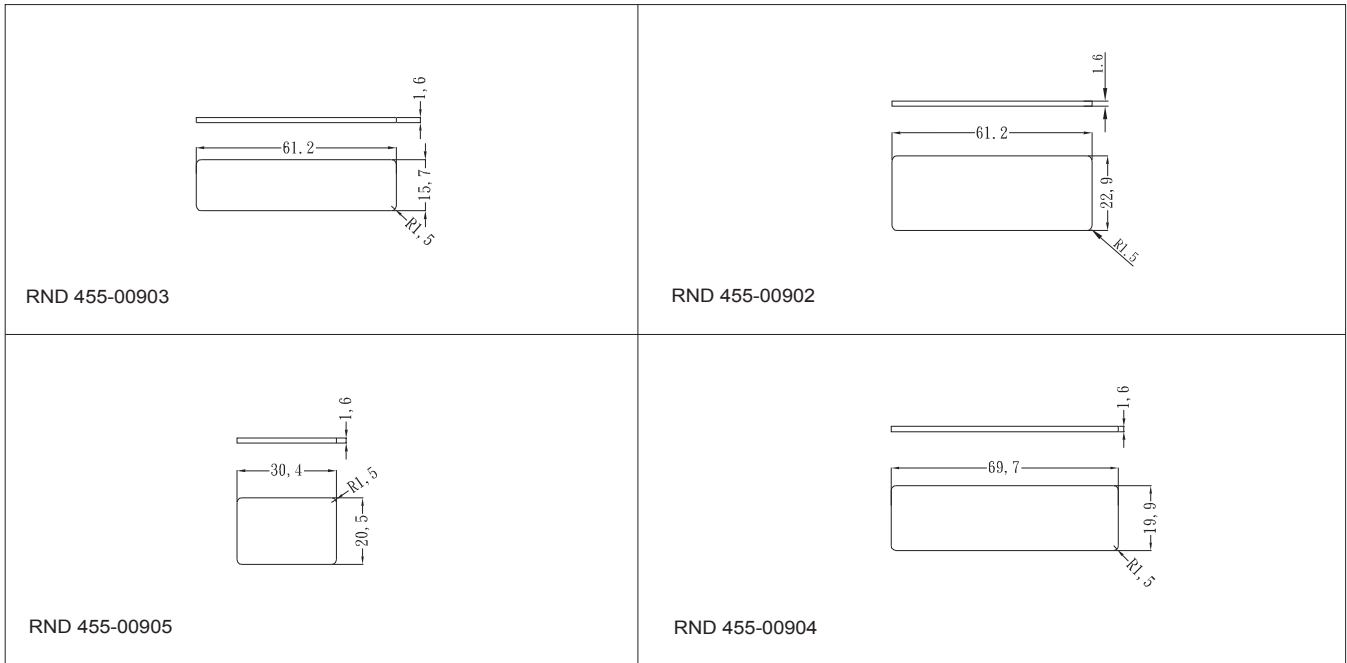
RND 455-00897 / RND 455-00896



RND 455-00899 / RND 455-00898



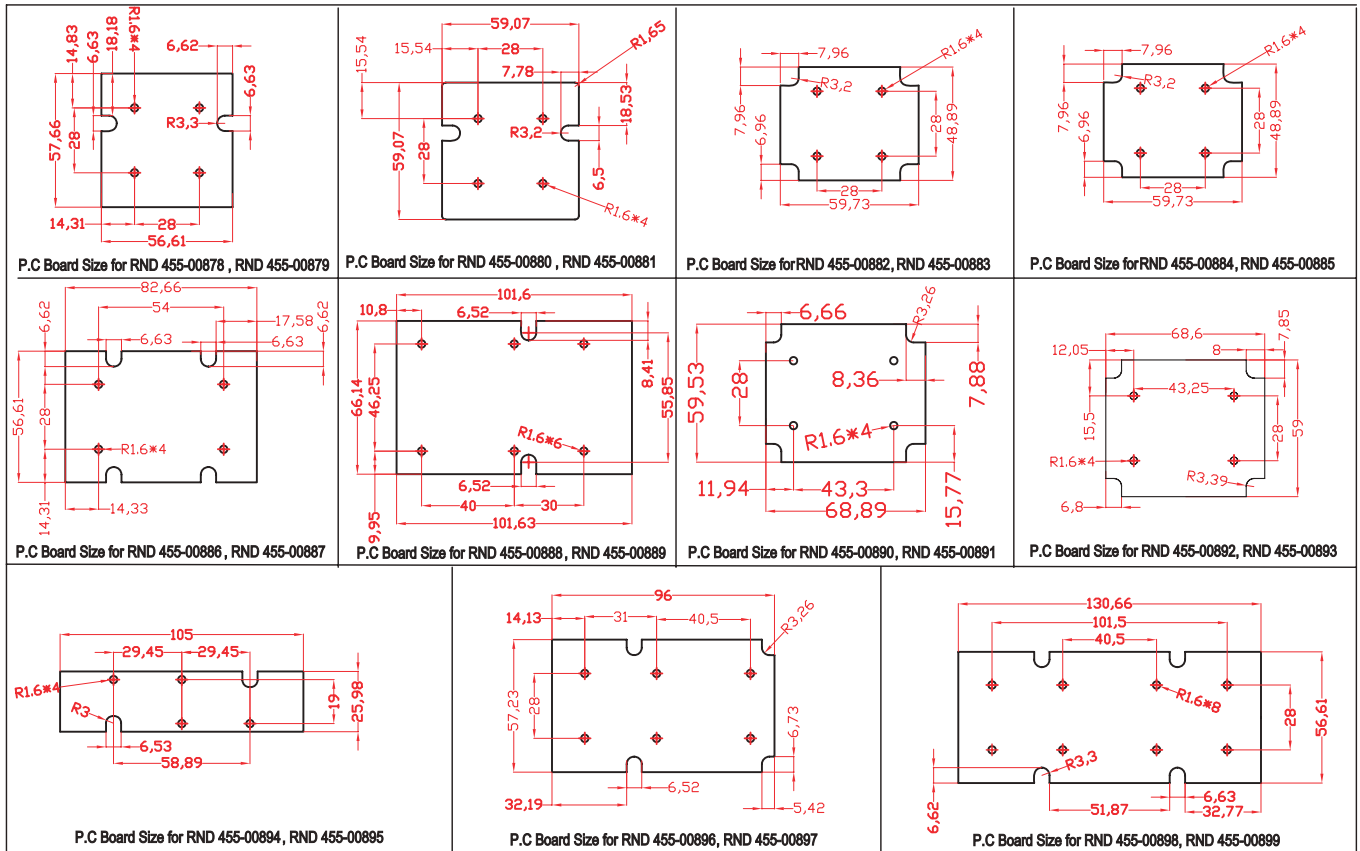
IR Panels



According to ISO 2768-m

Measuring DIM. =L	Tolerance	Measuring DIM. =L	Tolerance
0.5 <L ≤ 3.0 mm	±0.1 mm	30.0 <L ≤ 120.0 mm	±0.3 mm
3.0 <L ≤ 6.0 mm	±0.1 mm	120.0 <L ≤ 400.0 mm	±0.5 mm
6.0 <L ≤ 30.0 mm	±0.2 mm	400.0 <L ≤ 1000.0 mm	±0.8 mm

Recommended P.C board size



Hand-Held Double Injection Plastic Enclosures



PRODUCT INFORMATION

MATERIAL:

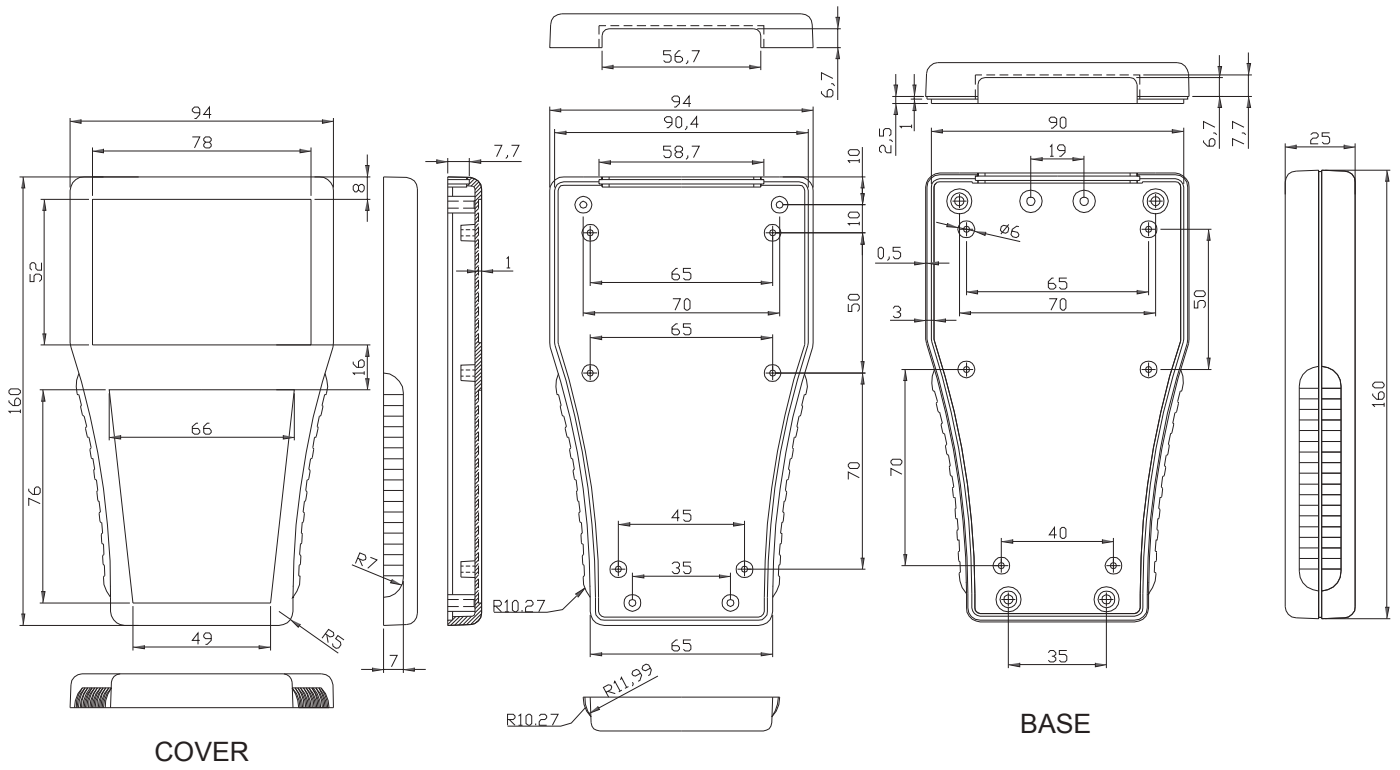
- Moulded in high impact ABS, grey and black colour.

FEATURES:

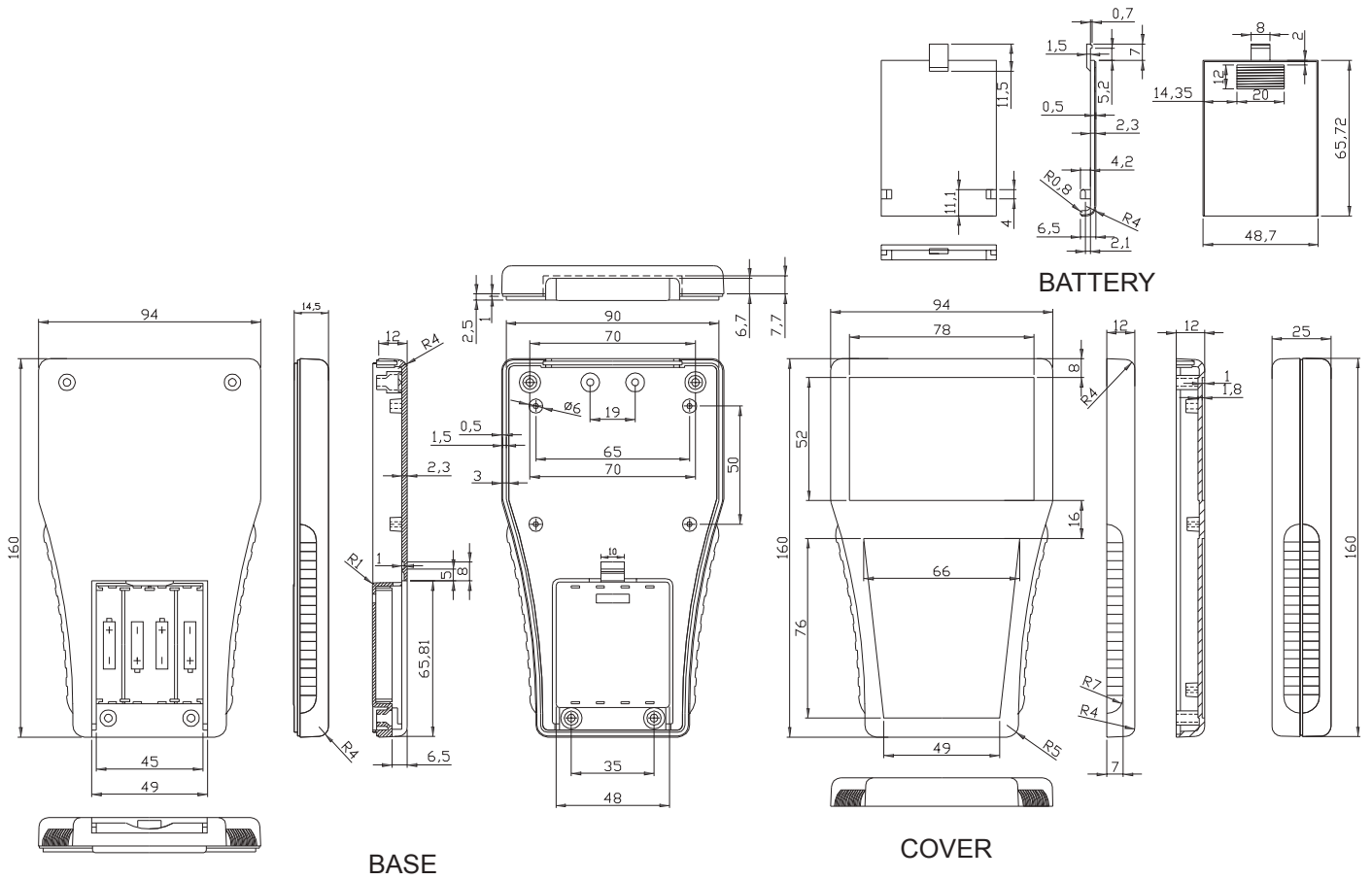
- Molded dark grey rubber sides for durability and grip
- Designed to accept 2 AAA battery or 4 AAA battery.
- Recessed display area : 78 x 52 mm.
- RND 455-00929 – 4 AAA battery contact kit is available.
- RND 455-00928 – 2 AAAa battery contact kit is available.
- RND 455-00901 – Black belt clip and RND 455-00900 – Grey belt clip is available for ordering.
- RND 455-00927 – Red transparent panel is also available.

ITEM No.	COLOUR	BATTERY COMPARTMENT
RND 455-00921	Grey	No
RND 455-00922	Black	No
RND 455-00923	Grey	Yes
RND 455-00924	Black	Yes
RND 455-00928	2 AAA Battery contact kit	
RND 455-00929	4 AAA Battery contact kit	

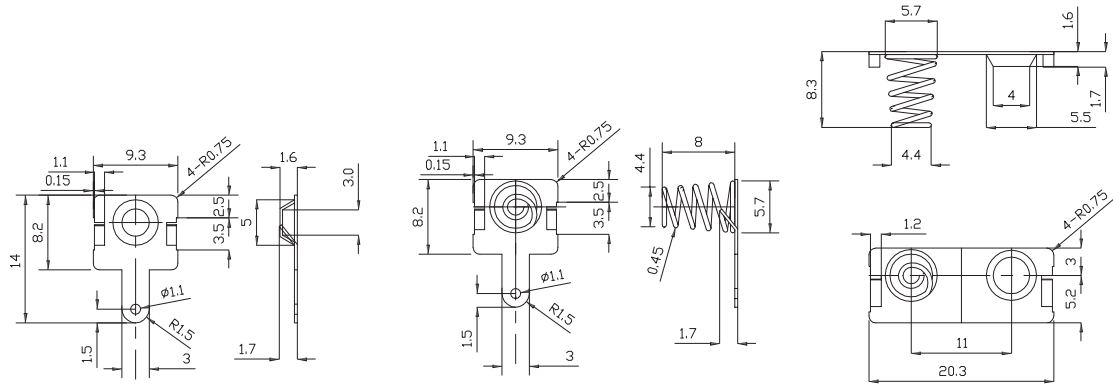
RND 455-00921 / RND 455-00922



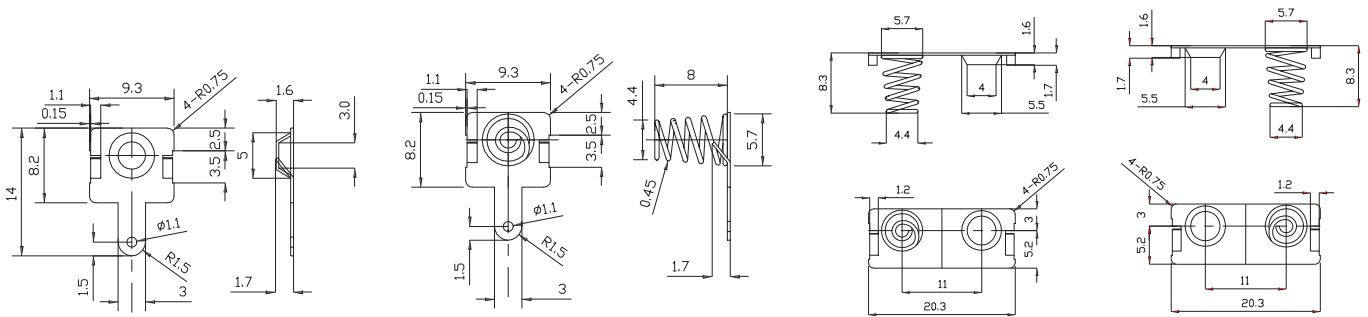
RND 455-00923 / RND 455-00924



RND 455-00928



RND 455-00929



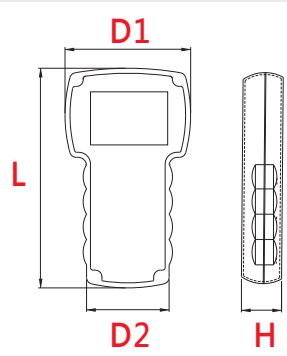
Medium Size Plastic T-Cases



PRODUCT INFORMATION

MATERIAL: High impact ABS, UL94-HB.

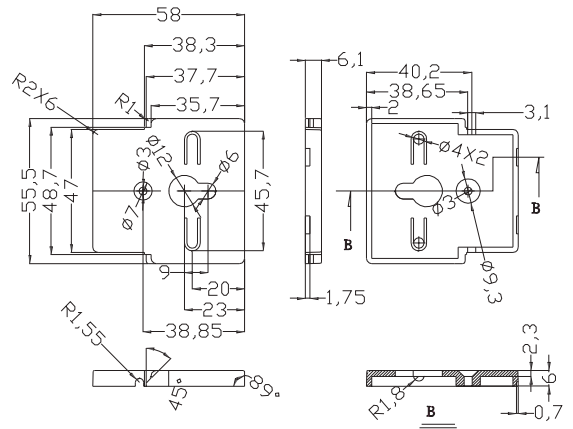
- These new stylish cases are ideal for test and measurement, data-loggers and other handheld instruments.
- Two colour are available in black and light grey.
- Top and bottom parts incorporate a tongue and groove sealing system which accept gasketing to meet IP65 rating. the gasket is available as a separate item.
- Available with a battery compartment in the back which accept a 9V 216 type or two AA batteries.
- Removeable tilt stand. it can also be used wall mounted.
- Available with open display window or solid front.
- Case held together by 4xM3 screws supplied.
- Recessed display area : 87.3 x 66.5mm
- Recessed keyboard area : 105.4 x 62.7mm
- Cutout Area : 72.2 x 51.5mm

ITEM No.	COLOUR	DISPLAY AREA	BATTERY COMPARTMENT	EXTERNAL DIMENSION(mm)			
				LENGTH(L)	WIDTH 1(D1)	WIDTH 2(D2)	HEIGHT(H)
RND 455-00930	Grey	Cutout	No	210	110	75	40.5
RND 455-00931	Grey	Cutout	Yes				
RND 455-00932	Grey	Solid	No				
RND 455-00933	Grey	Solid	Yes				
RND 455-00934	Black	Cutout	No				
RND 455-00935	Black	Cutout	Yes				
RND 455-00936	Black	Solid	No				
RND 455-00937	Black	Solid	Yes				
RND 455-00938	Sealing Gasket						

Example

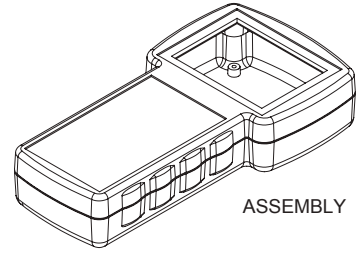
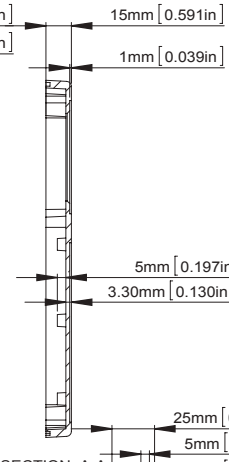
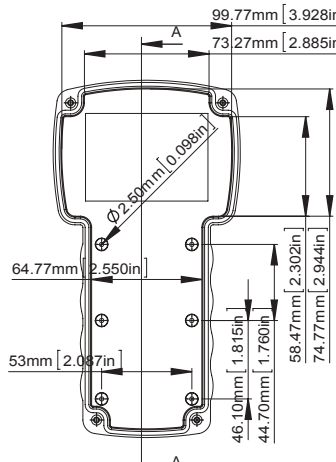
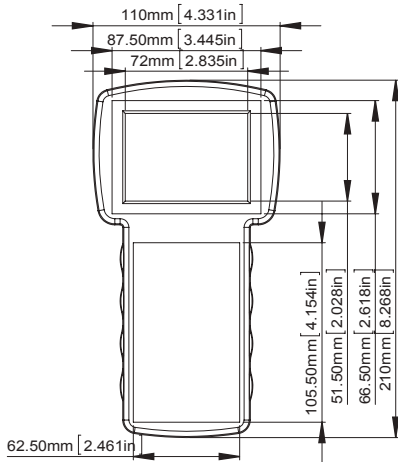


Example Sealing Gasket



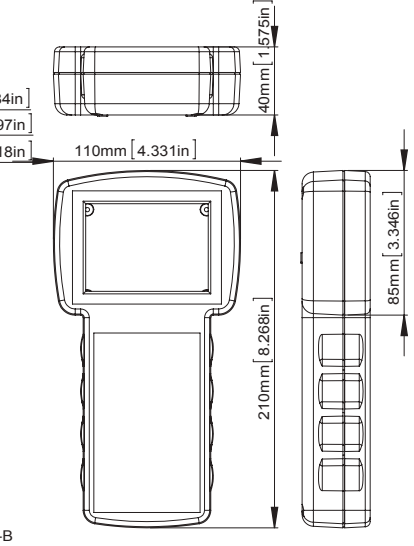
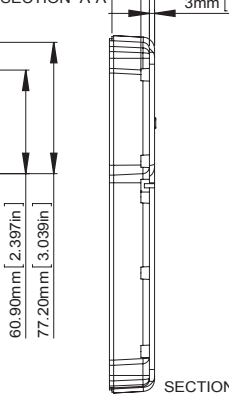
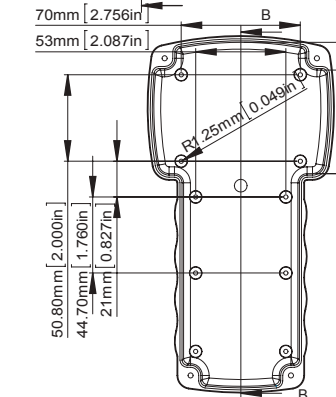
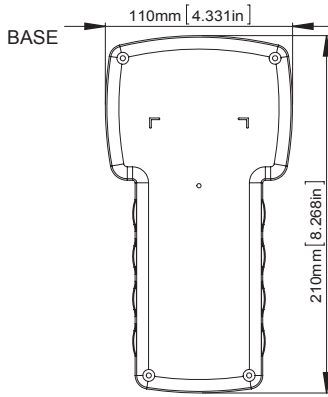
RND 455-00930 / RND 455-00934

COVER



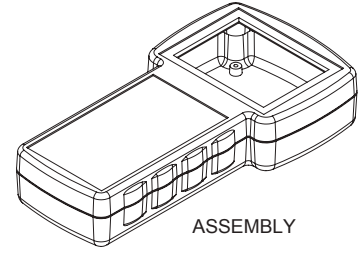
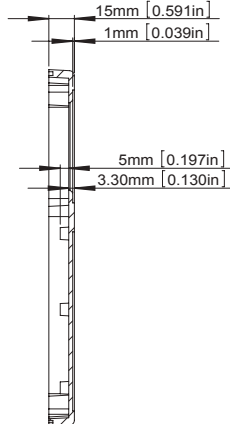
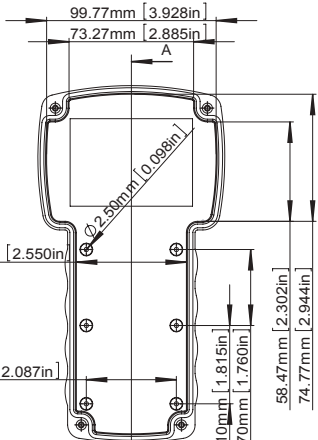
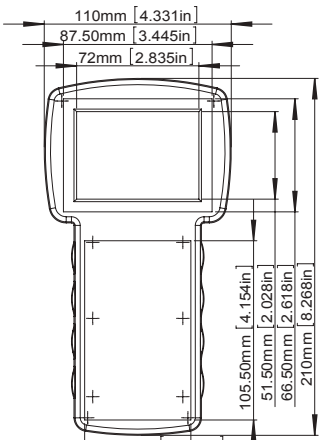
ASSEMBLY

BASE



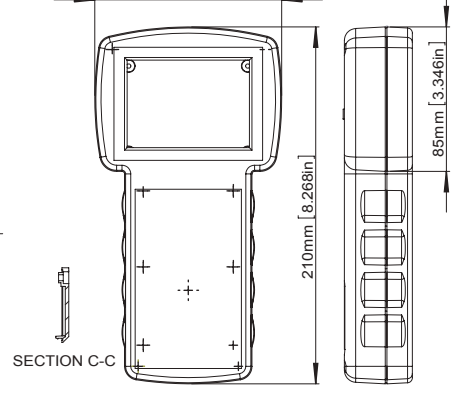
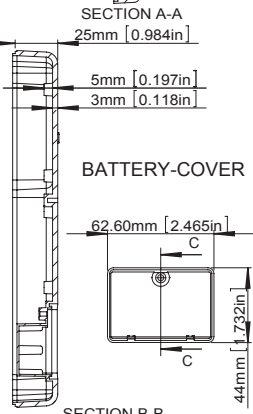
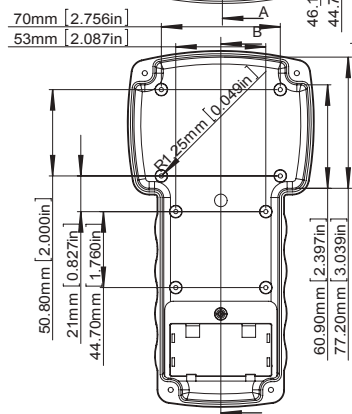
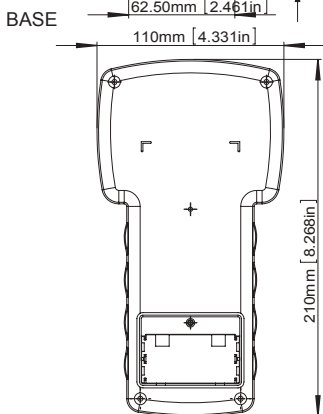
RND 455-00931 / RND 455-00935

COVER



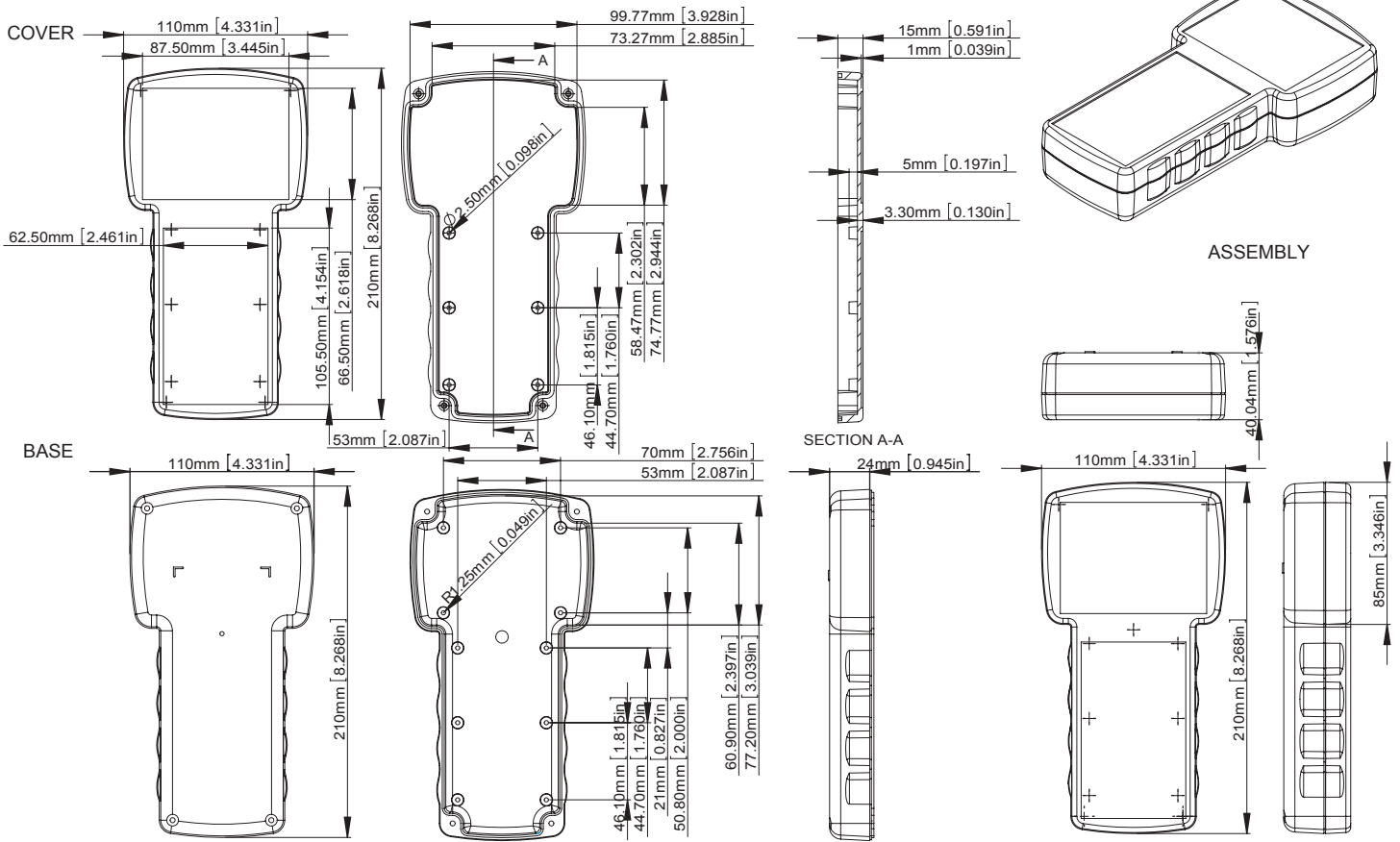
ASSEMBLY

BASE

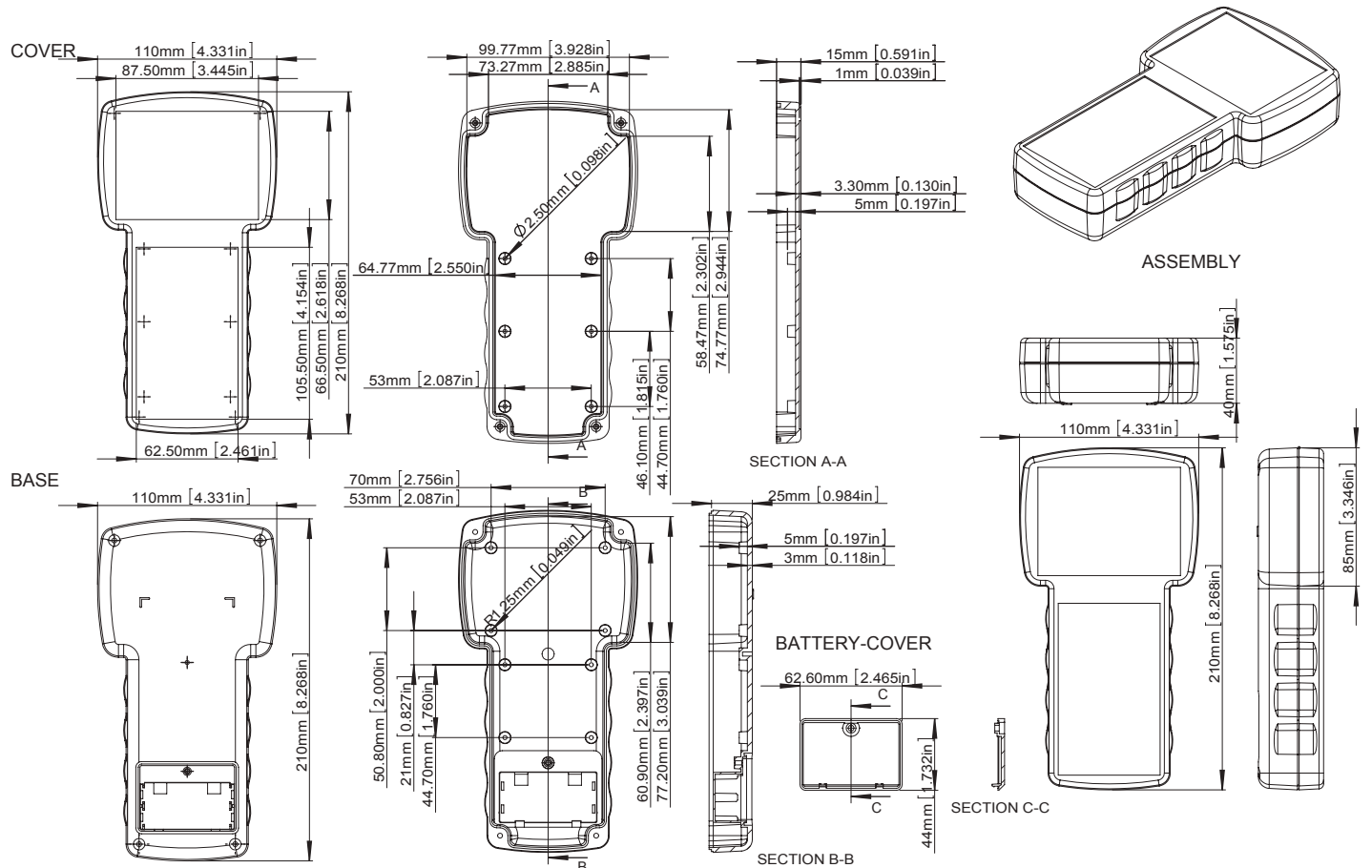


BATTERY-COVER

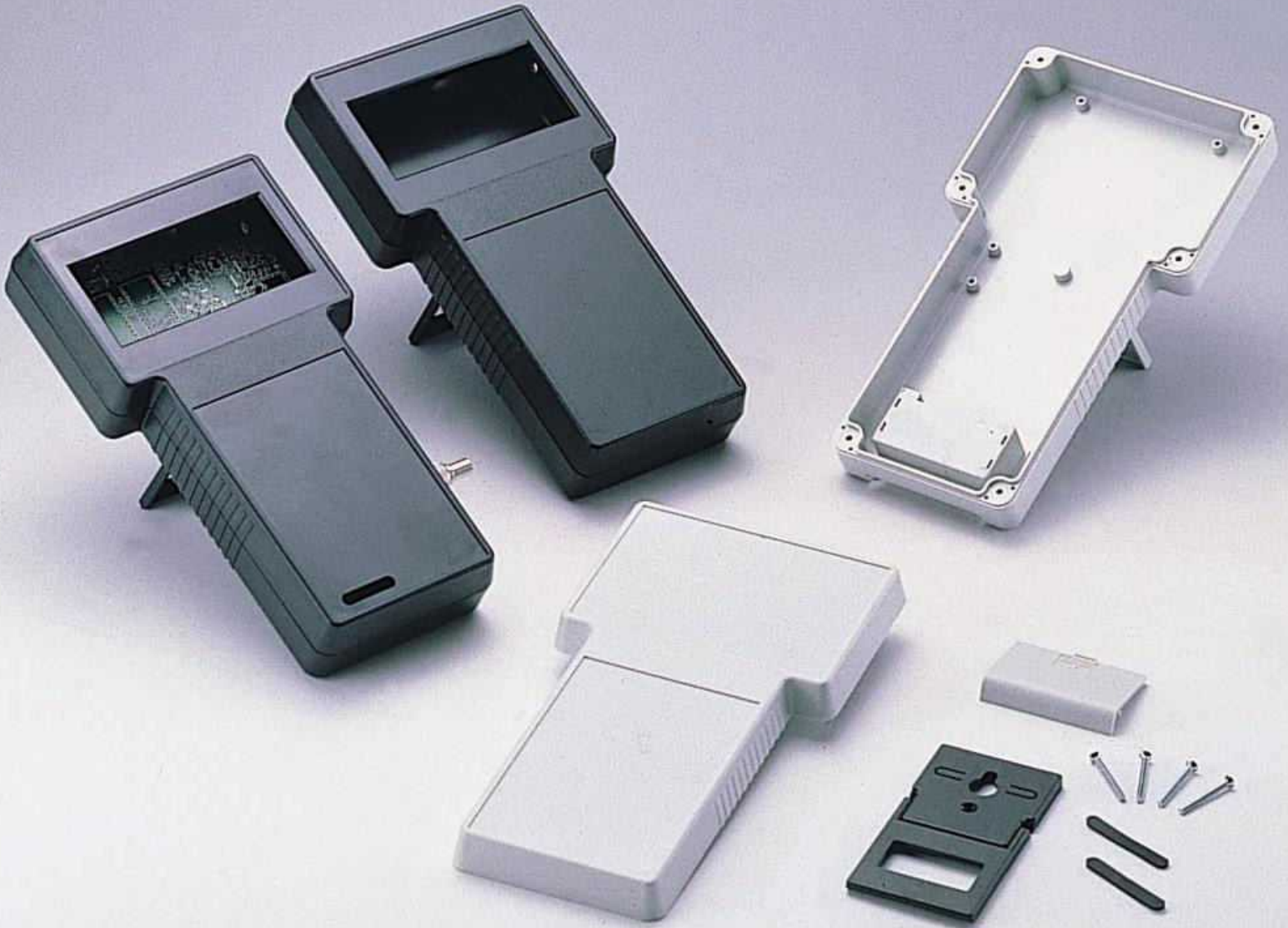
RND 455-00932 / RND 455-00936



RND 455-00933 / RND 455-00937



Large Size T-Cases



PRODUCT INFORMATION

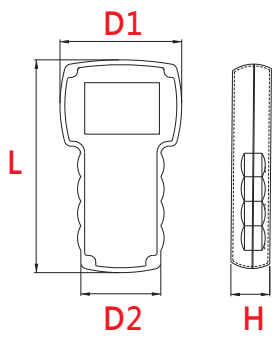
MATERIAL:

- Moulded in high impact ABS.

FEATURES:

- Available with either a solid display area or a cutout.
- The top and bottom parts incorporate a tongue and groove sealing system which accept gasketing. The gasket is available as a separate item.
- Available with a battery compartment in the back which accept a 9V 216 type. Or two AA batteries.
- A durable and professional moulded tilting bail is available which also can be used to wall mount the enclosures.
- Available in black and light gray as standard colour. Customer colour is available on indent.
- Case is held together by 6 PCS brass inserts in the LID and M-3 screws supplied.
- Recessed display area : 116 x 81mm.
- Recessed keyboard area : 118 x 81mm.
- Cutout area : 101 x 45mm.

ITEM No.	COLOUR	DISPLAY AREA	BATTERY COMPARTMENT	EXTERNAL DIMENSION(mm)			
				LENGTH(L)	WIDTH 1(D1)	WIDTH 2(D2)	HEIGHT(H)
RND 455-00939	Grey	Cutout	No	237	131	95	45
RND 455-00940	Grey	Cutout	Yes				
RND 455-00941	Grey	Solid	No				
RND 455-00942	Grey	Solid	Yes				
RND 455-00943	Black	Cutout	No				
RND 455-00944	Black	Cutout	Yes				
RND 455-00945	Black	Solid	No				
RND 455-00946	Black	Solid	Yes				
RND 455-00947	Sealing Gasket						
RND 455-00920	Black tilt stand						
RND 455-00919	Grey tilt stand						



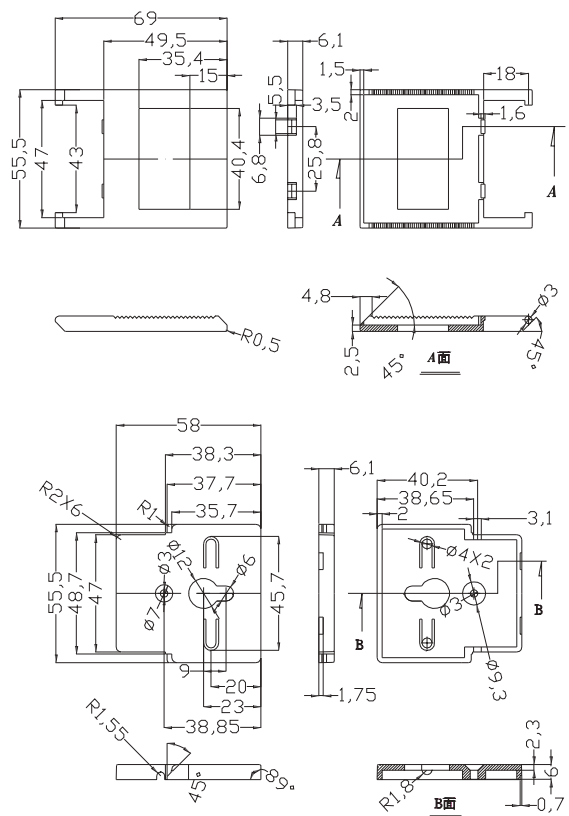
RND 455-00920 / RND 455-00919



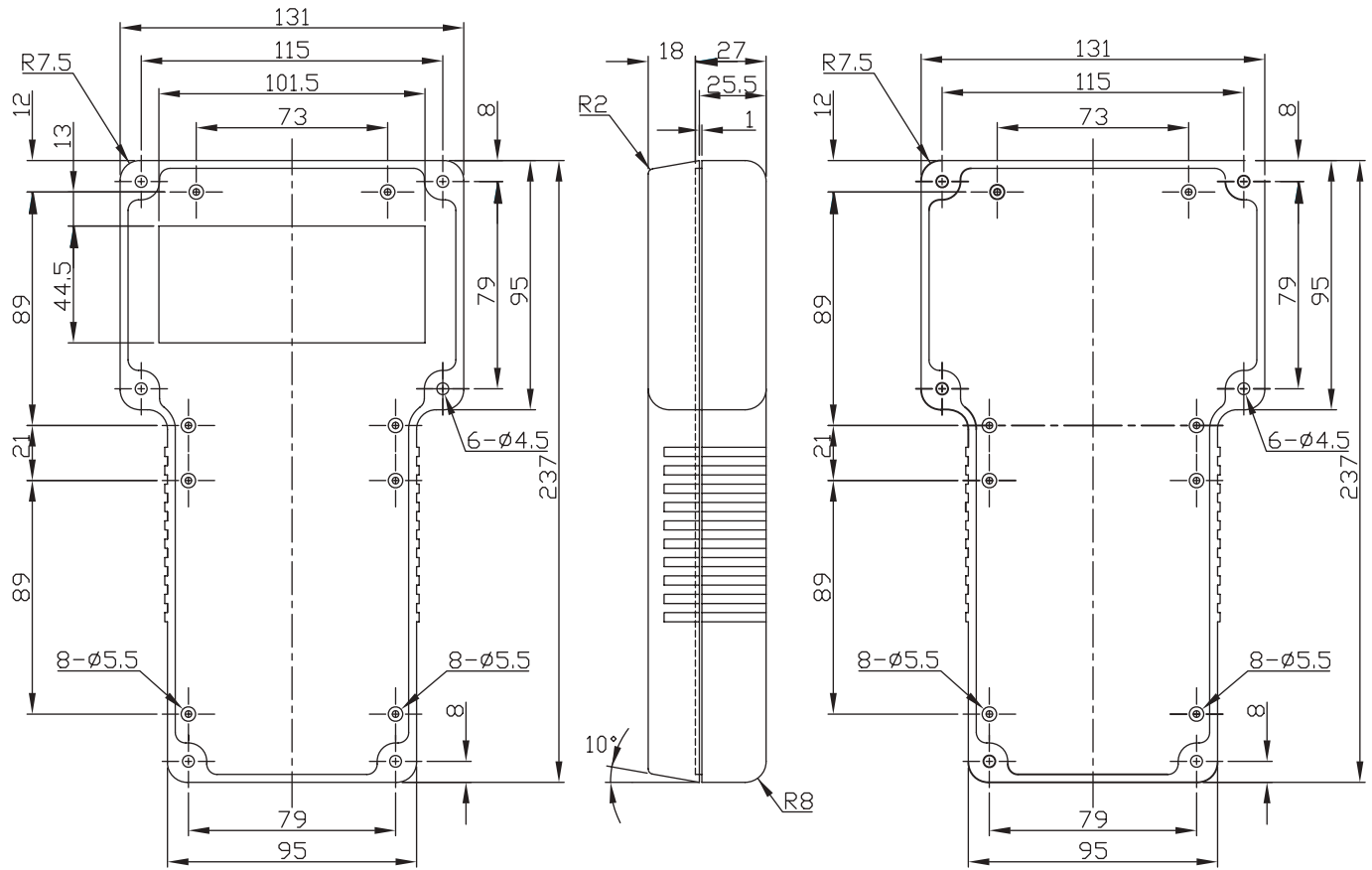
Example Sealing Gasket



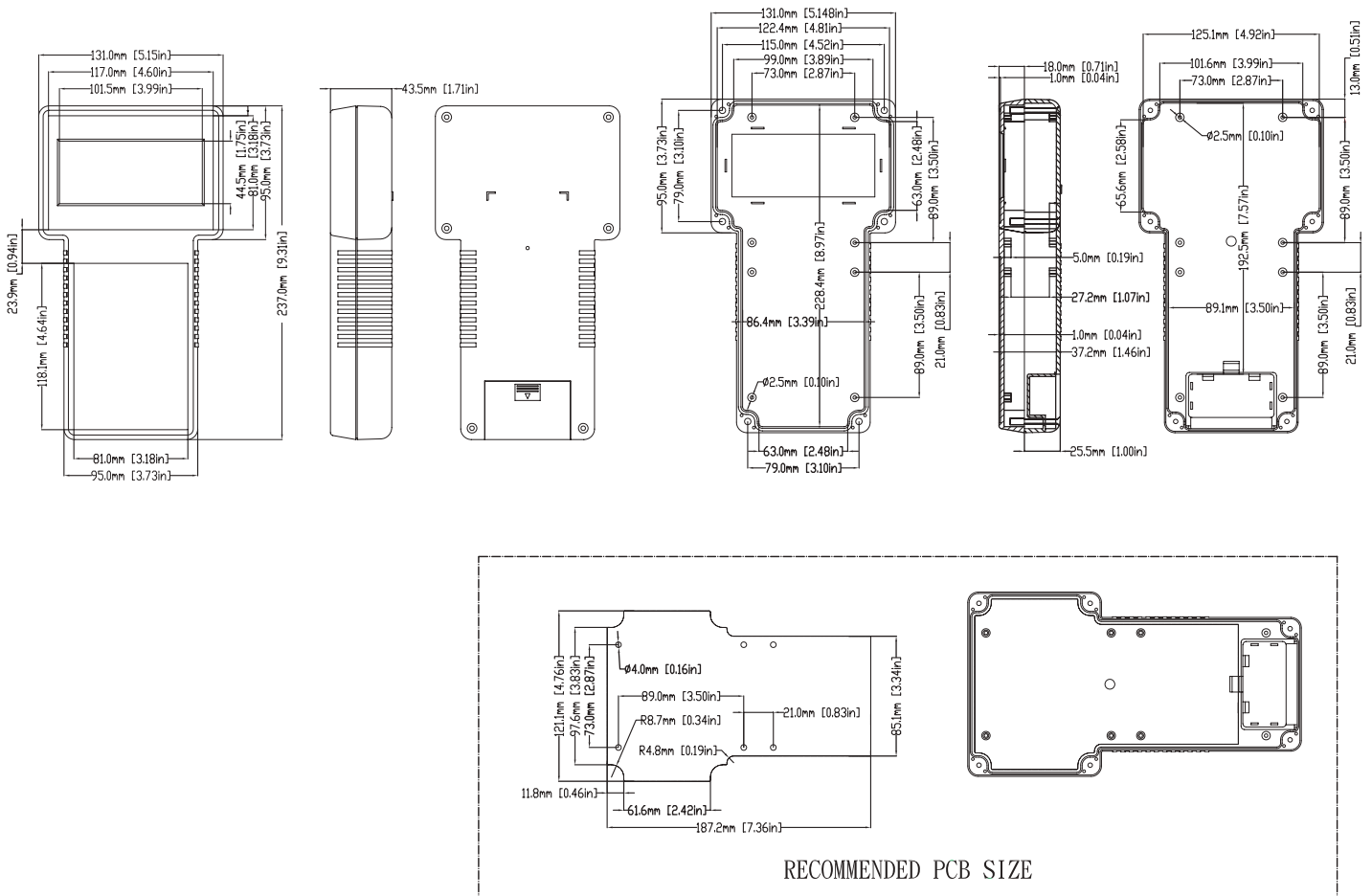
Example



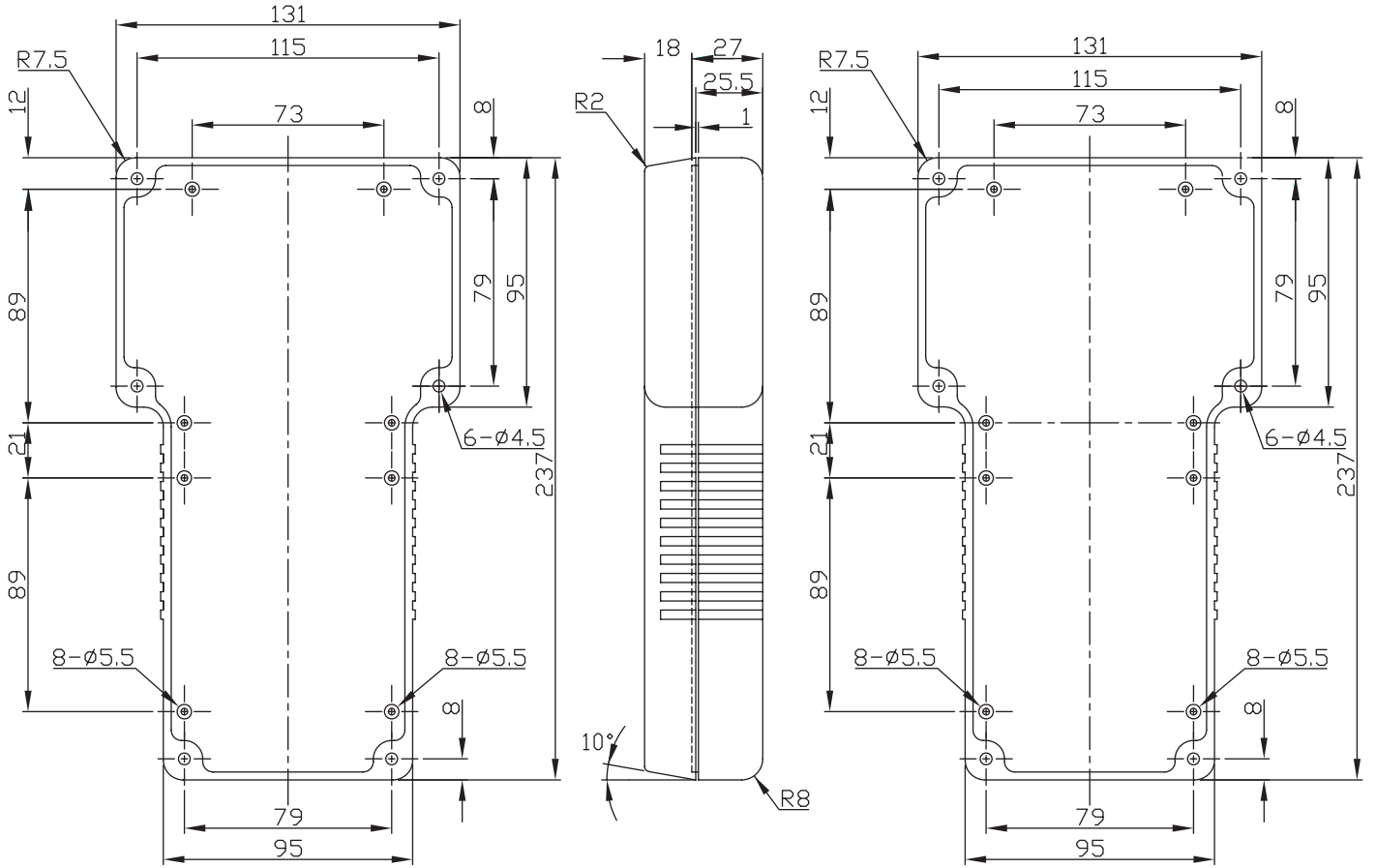
RND 455-00939 / RND 455-00943



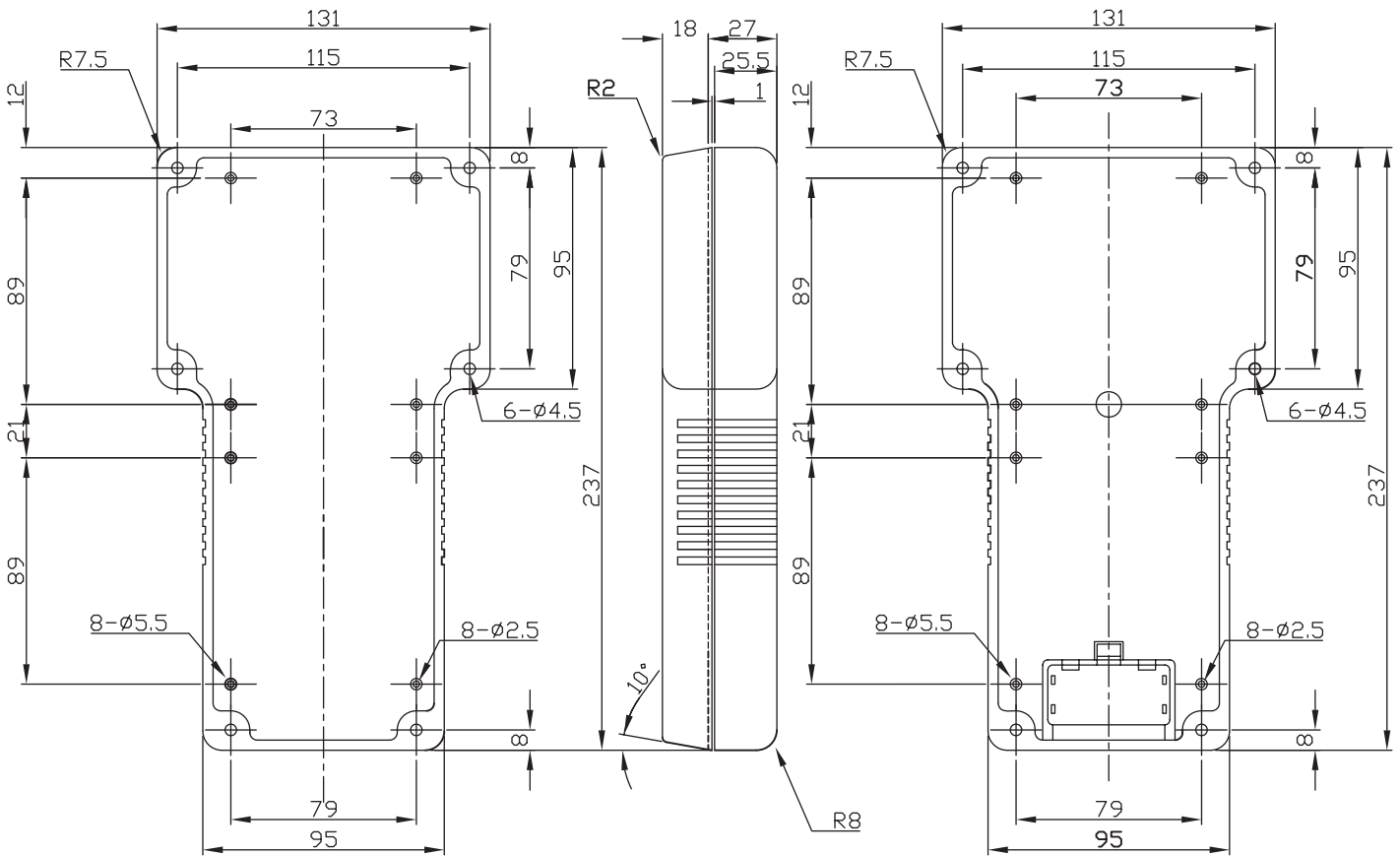
RND 455-00940 / RND 455-00944



RND 455-00941 / RND 455-00945



RND 455-00942 / RND 455-00946



Plastic Project Enclosures



PRODUCT INFORMATION

MATERIAL:

- High impact ABS, UL94-HB plastic.

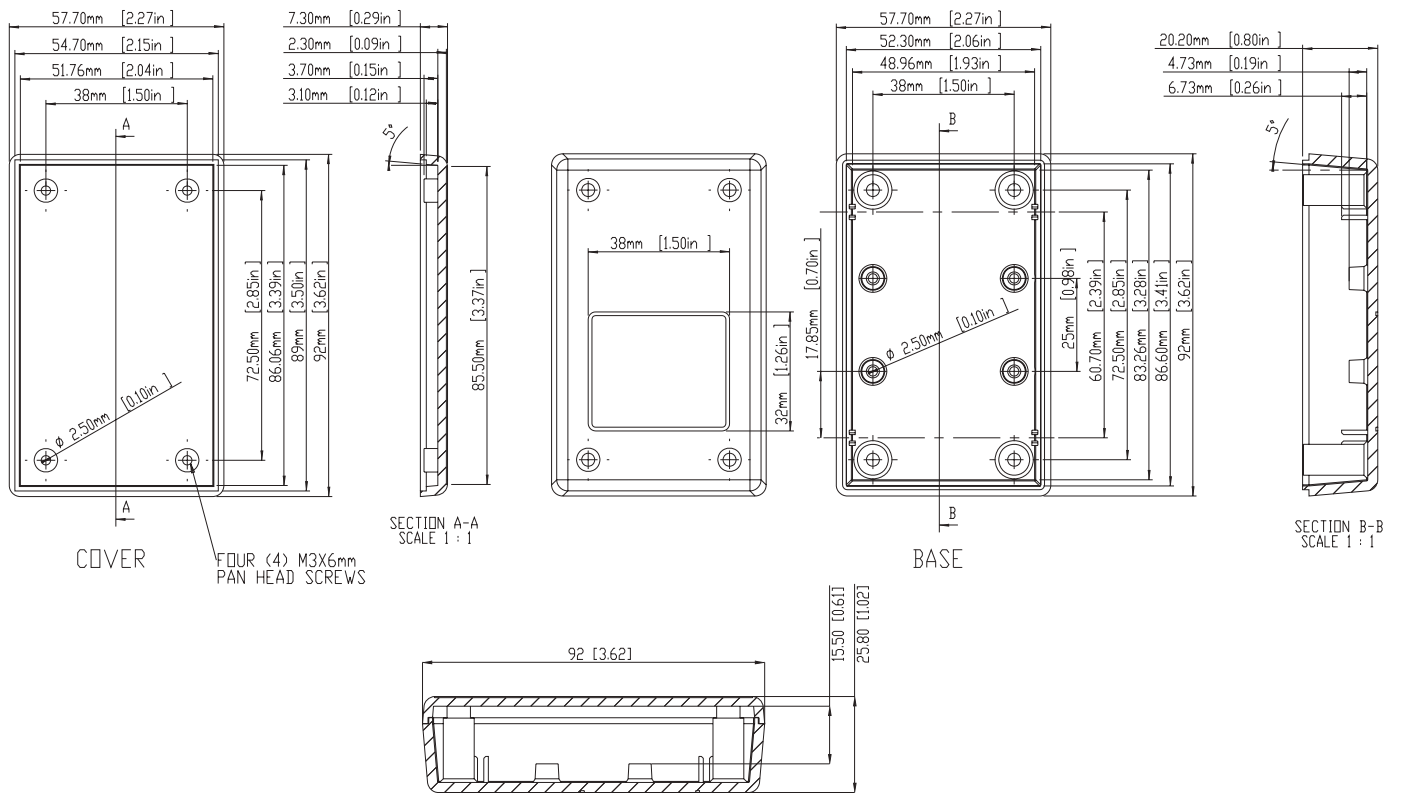
FEATURES:

- Ideal for instrument, computer accessories, transmitter, remote actuators, audio and video controls and security system.

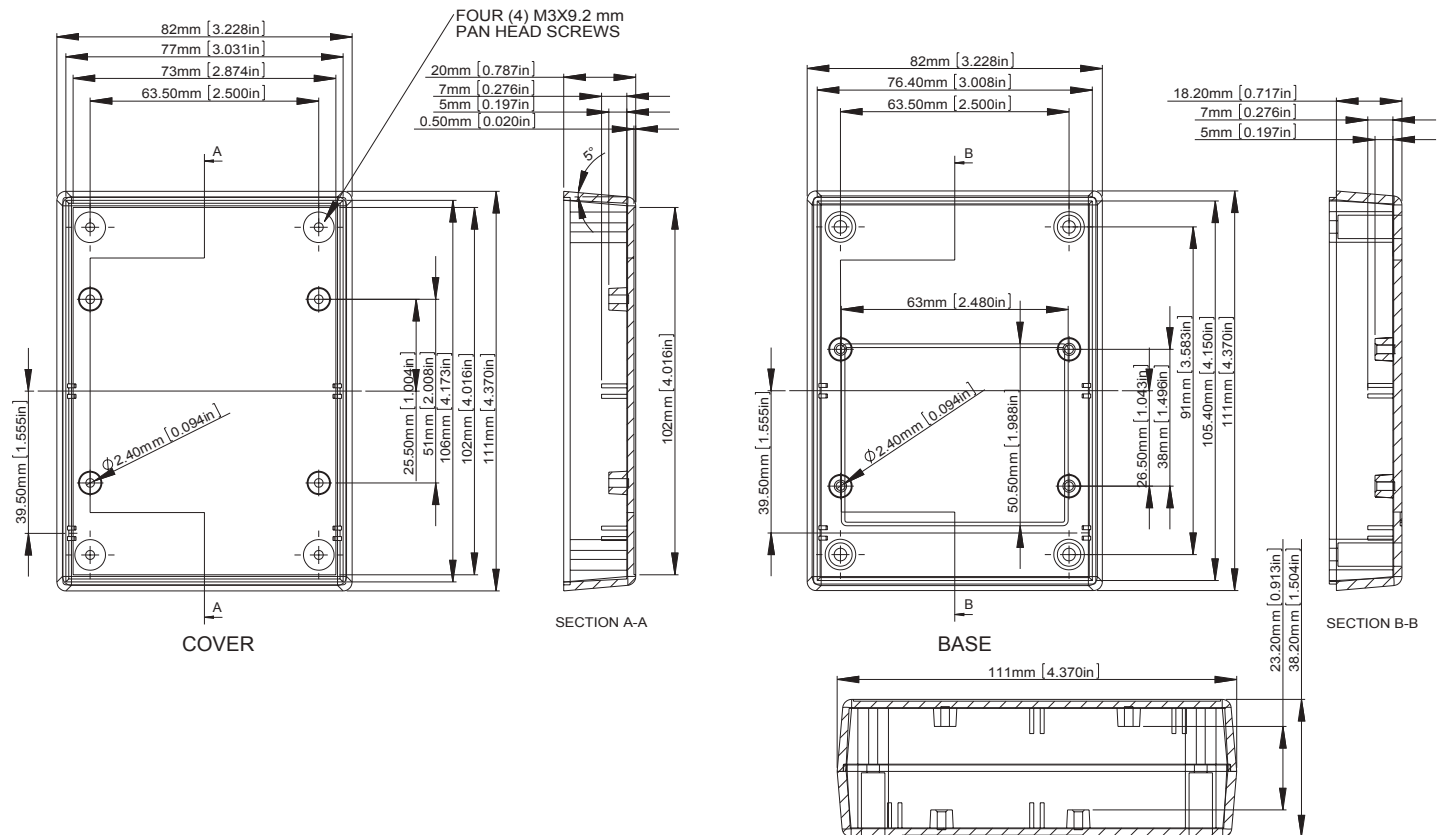
ITEM No.	COLOUR	ITEM No.	COLOUR	EXTERNAL DIMENSION (MM)
RND 455-00958	Light Grey	RND 455-00957	Black	92.0 x 57.0 x 25.4
RND 455-00961	Light Grey	RND 455-00959	Black	111.0 x 82.5 x 38.0
RND 455-00962	Light Grey	RND 455-00960	Black	111.0 x 82.5 x 38.0
RND 455-00964	Light Grey	RND 455-00963	Black	142.8 x 82.5 x 38.0
RND 455-00966	Light Grey	RND 455-00965	Black	174.5 x 123.6 x 38.0
RND 455-00968	Light Grey	RND 455-00967	Black	174.5 x 123.6 x 63.5

- Put-on rubber feet are included.

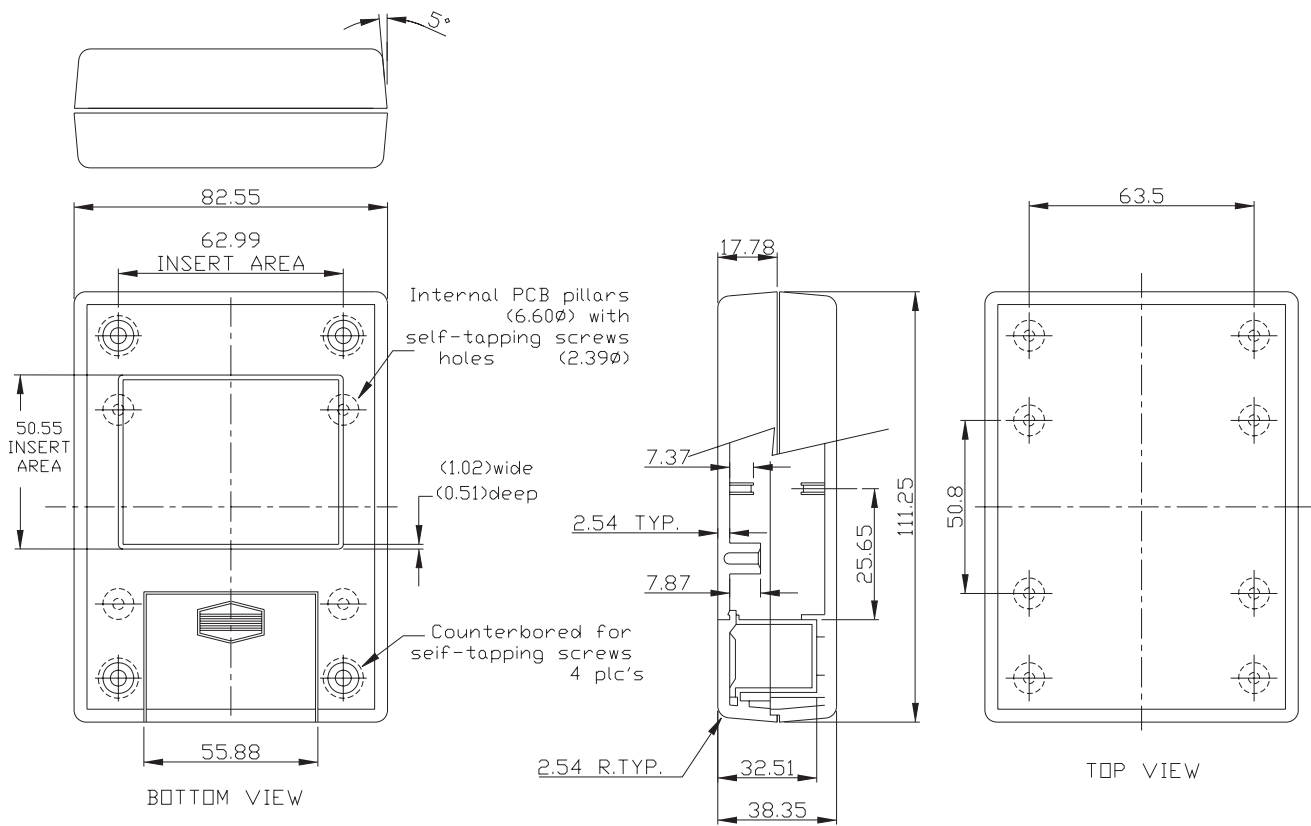
RND 455-00957 / RND 455-00958



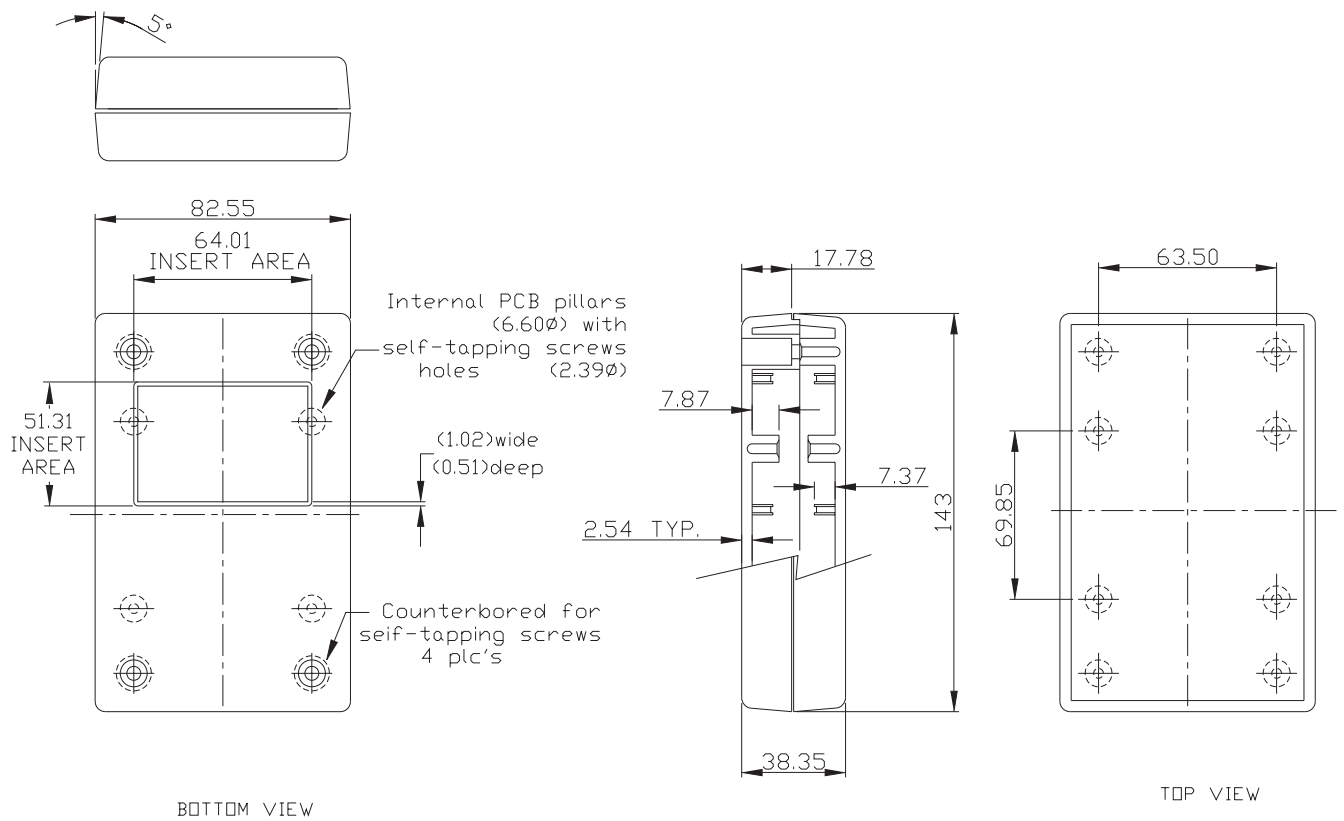
RND 455-00959 / RND 455-00961



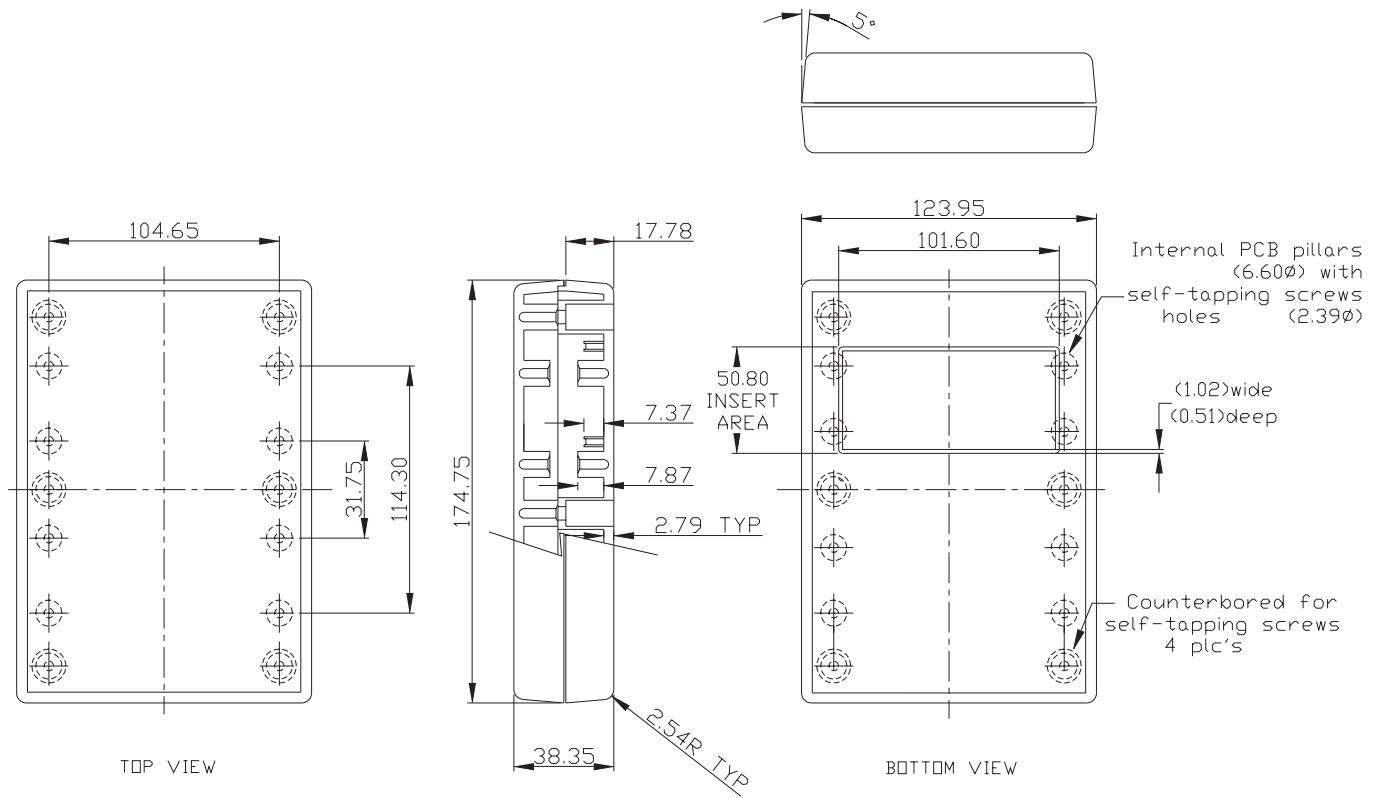
RND 455-00960 / RND 455-00962



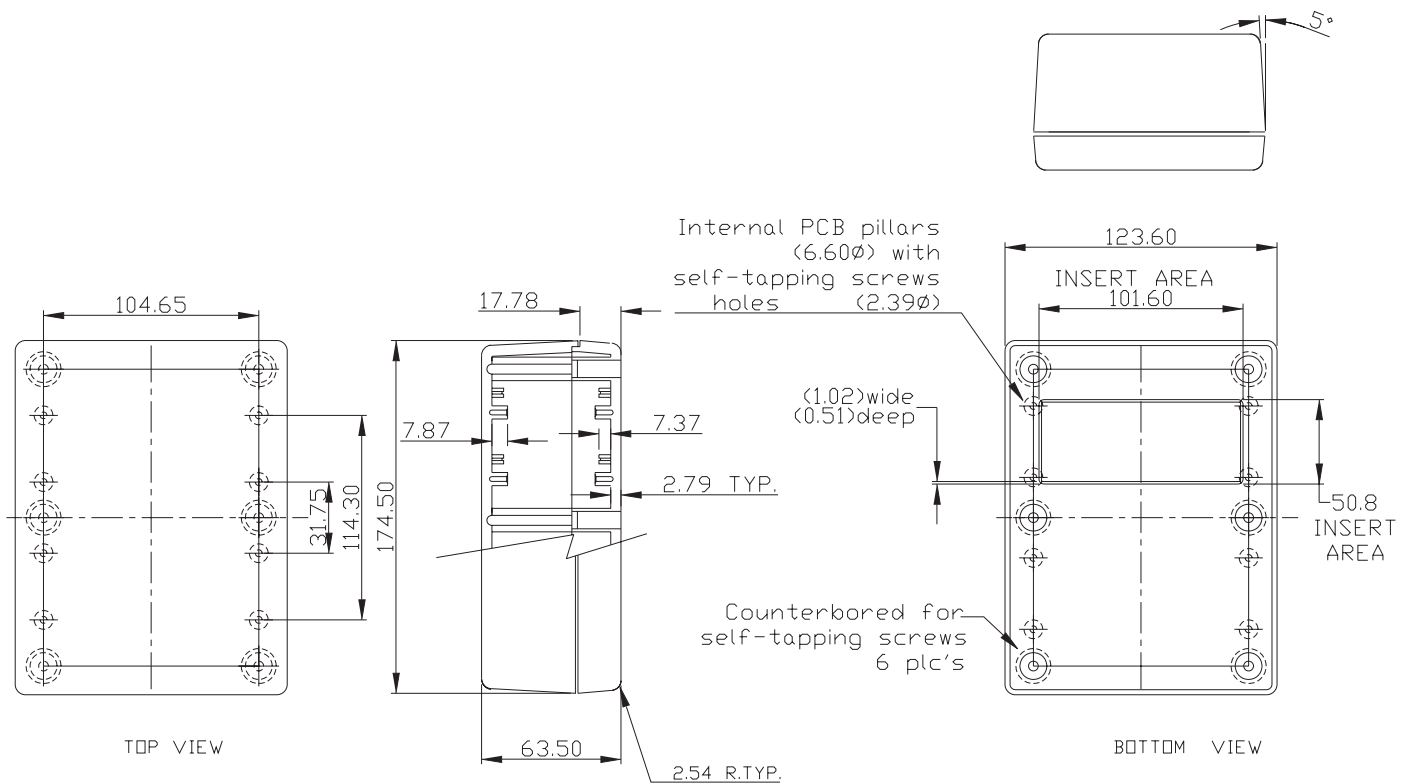
RND 455-00963 / RND 455-00964



RND 455-00965/ RND 455-00966



RND 455-00966 / RND 455-00967



Controller Enclosures



PRODUCT INFORMATION

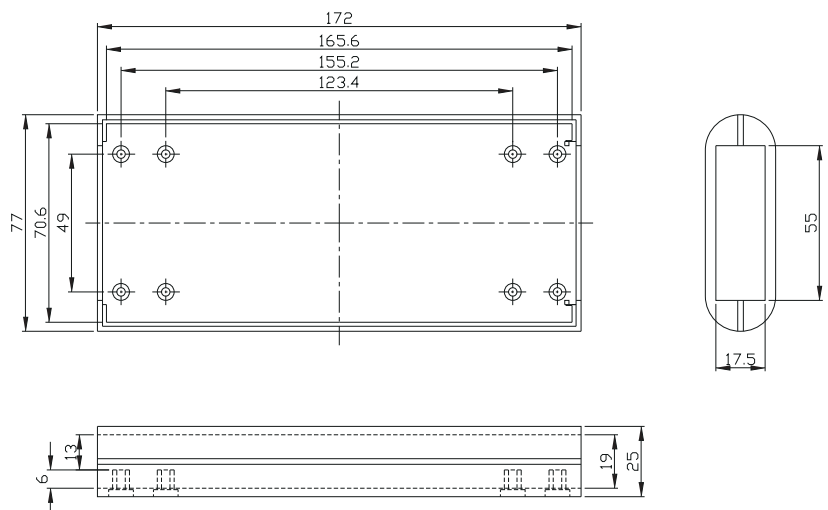
MATERIAL:

- High impact ABS UL94-HB plastic, Light grey.

FEATURES:

- Ideal for remote controllers, test instrument, computer accessories etc.

ITEM No.	EXTERNAL DIMENSION(MM)
RND 455-00956	172 X 77 X 25



Controller Enclosures



PRODUCT INFORMATION

MATERIAL:

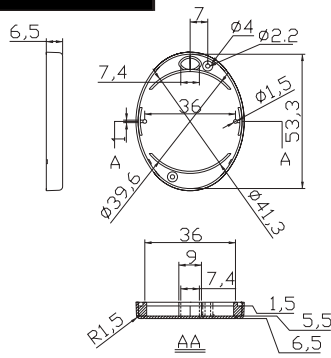
- High impact ABS UL94-HB plastic, grey and black colours are available for selection.

FEATURES:

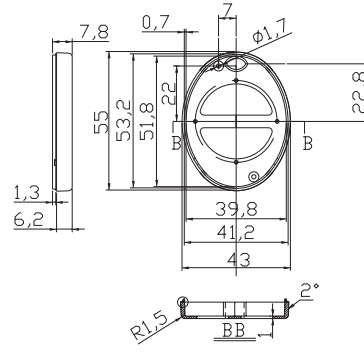
- Ideal for wireless remote control
- 2-4 buttons of styles for collection

ITEM No.	COLOUR	ITEM No.	COLOUR	TYPE	EXTERNAL DIMENSION(MM)
RND 455-00106	Grey	RND 455-00109	Black	2 Button	55 x 43 x 13.4
RND 455-00107	Grey	RND 455-00110	Black	3 Button	55 x 43 x 13.4
RND 455-00108	Grey	RND 455-00111	Black	4 Button	55 x 43 x 13.4

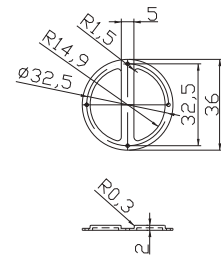
RND 455-00106 / RND 455-00109



Bottom

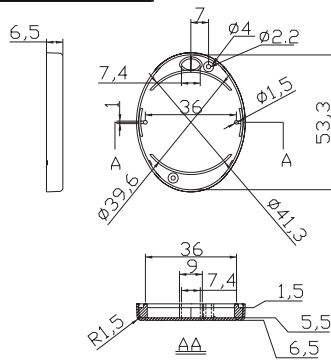


Cover

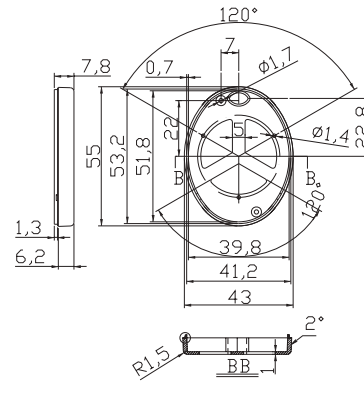


Rubber Button

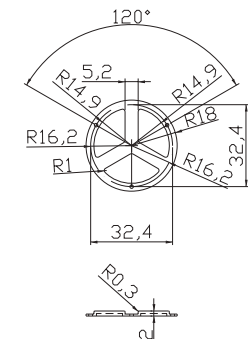
RND 455-00107 / RND 455-00110



Bottom

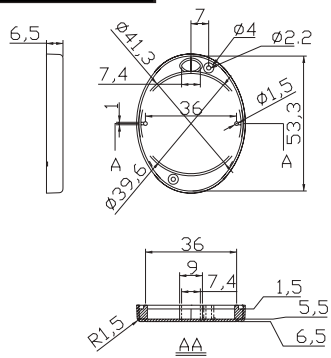


Cover

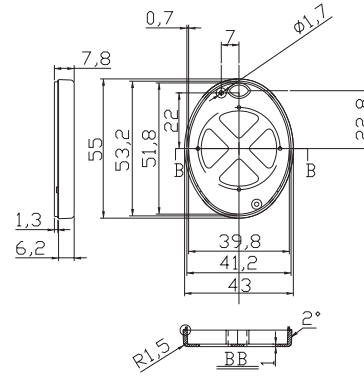


Rubber Button

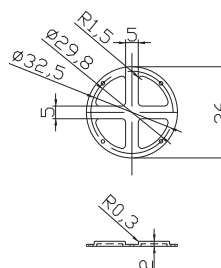
RND 455-00108 / RND 455-00111



Bottom



Cover



Rubber Button

19" Rack Mount Plastic Enclosures



PRODUCT INFORMATION

MATERIAL:

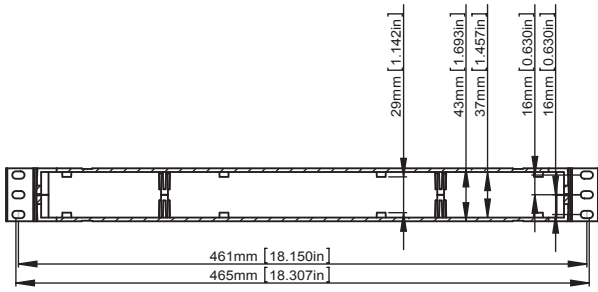
- High impact ABS UL94-HB plastic, grey.

FEATURES:

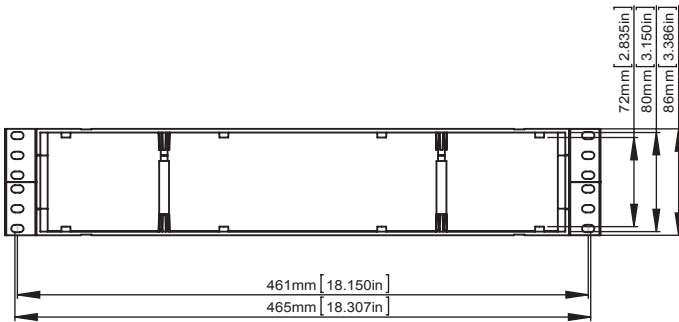
- Can be used for rack-mount or stand alone

ITEM No.	COLOUR	ITEM No.	COLOUR	EXTERNAL DIMENSION(MM)
RND 455-00114	Black	RND 455-00115	Light Grey	431 x 203 x 43
RND 455-00112	Black	RND 455-00113	Light Grey	431 x 203 x 86
RND 455-00116	Black	RND 455-00117	Light Grey	431 x 203 x 129

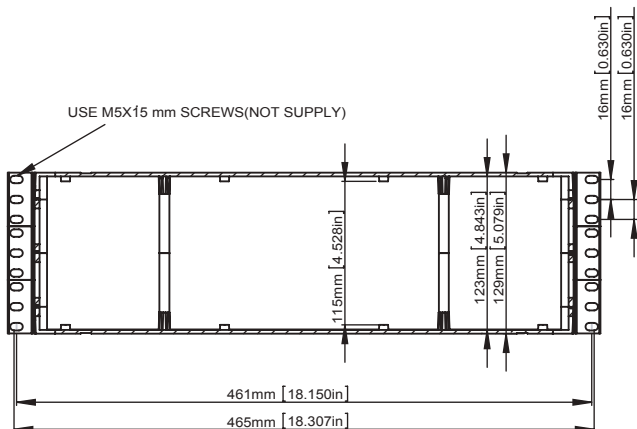
RND 455-00114 / RND 455-00115



RND 455-00112 / RND 455-00113



RND 455-00116 / RND 455-00117



Snap-In Plastic Cases



PRODUCT INFORMATION

MATERIEL:

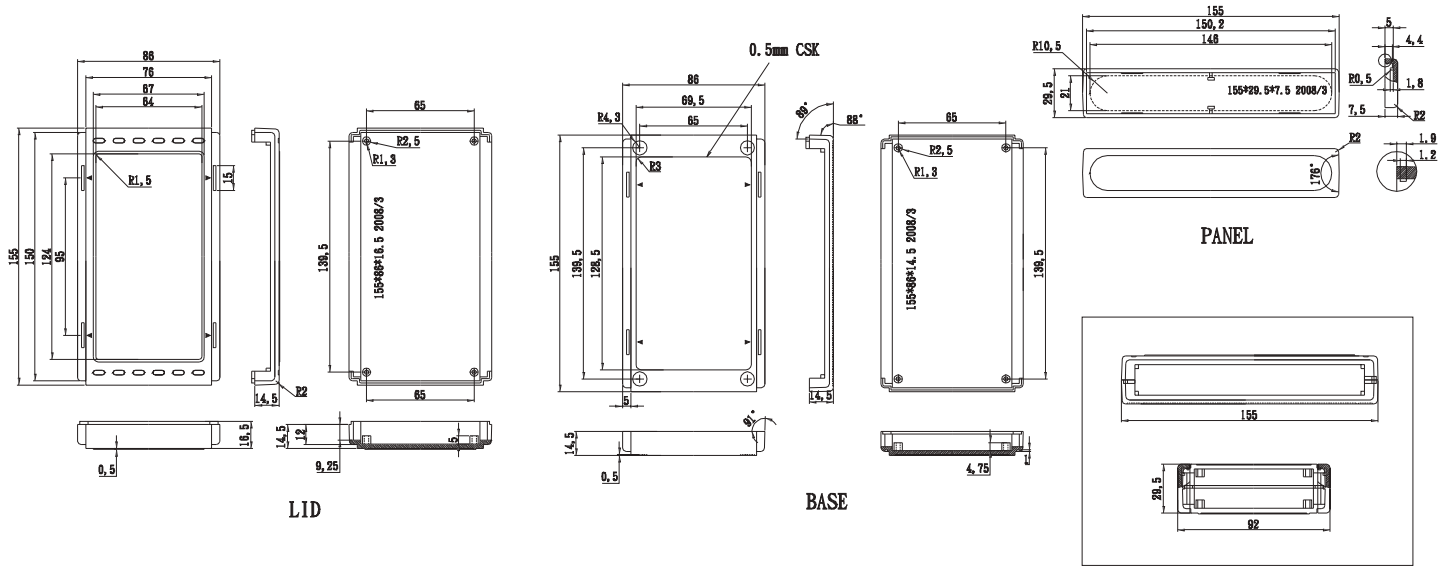
- High impact UL94-HB ABS

ITEM No.	COLOUR			EXTERNAL DIMENSION(MM)
	LID	BASE	PANELS	
RND 455-00118	Light Grey	Dark Grey	Dark Grey	105 x 41 x 25.2
RND 455-00119	Light Grey	Dark Grey	Dark Grey	130 x 76 x 30
RND 455-00120	Light Grey	Dark Grey	Dark Grey	155 x 92 x 29.5
RND 455-00121	Light Grey	Dark Grey	Dark Grey	200 x 121 x 40

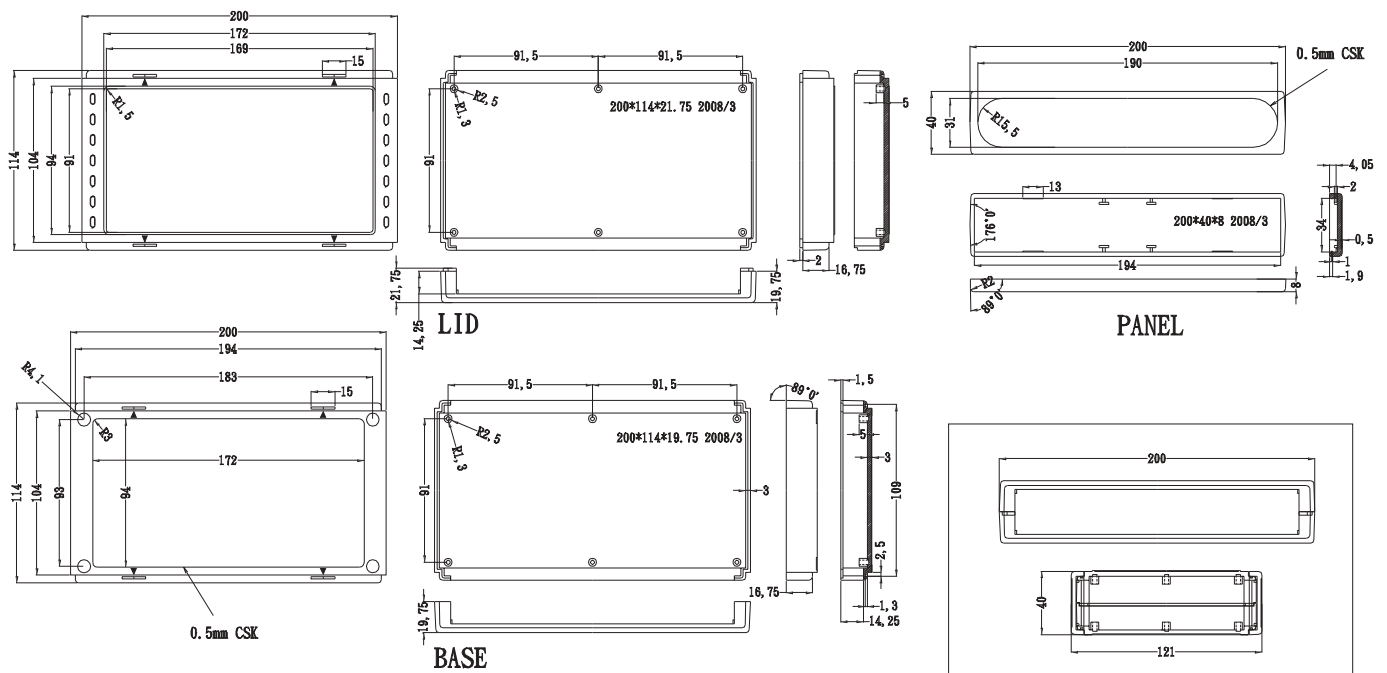
FEATURES:

- Lid & base are molded in light grey colour, front & end panels are molded in dark grey colour.
- Snap-in type of design to save the time in the product assembly.
- 4 pcs of internal bosses are available for pcb assembly.
- Ideally use for desktop instrumentation , network & telecommunication device.
- Rubber feet < RND 455-00569 > for RND 455-00118, RND 455-00119 & RND 455-00120 use is available for ordering.
- Rubber feet < RND 455-00578 > for RND 455-00121 use is available for ordering.

RND 455-00120



RND 455-00121



Snap-In Plastic Boxes with Hinged Cover



PRODUCT INFORMATION

MATERIAL :

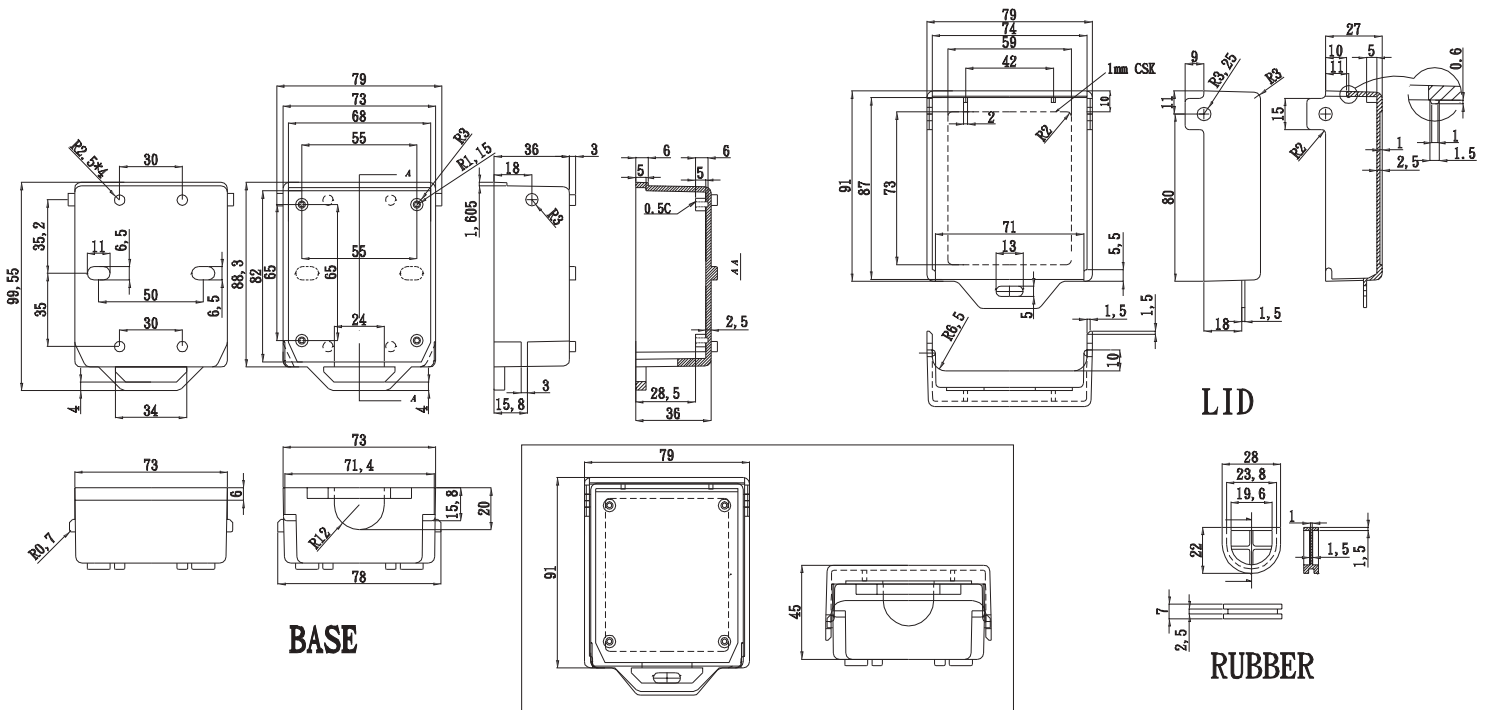
- High impact ABS UL94-HB , light grey and black colours are available for selection.

FEATURES:

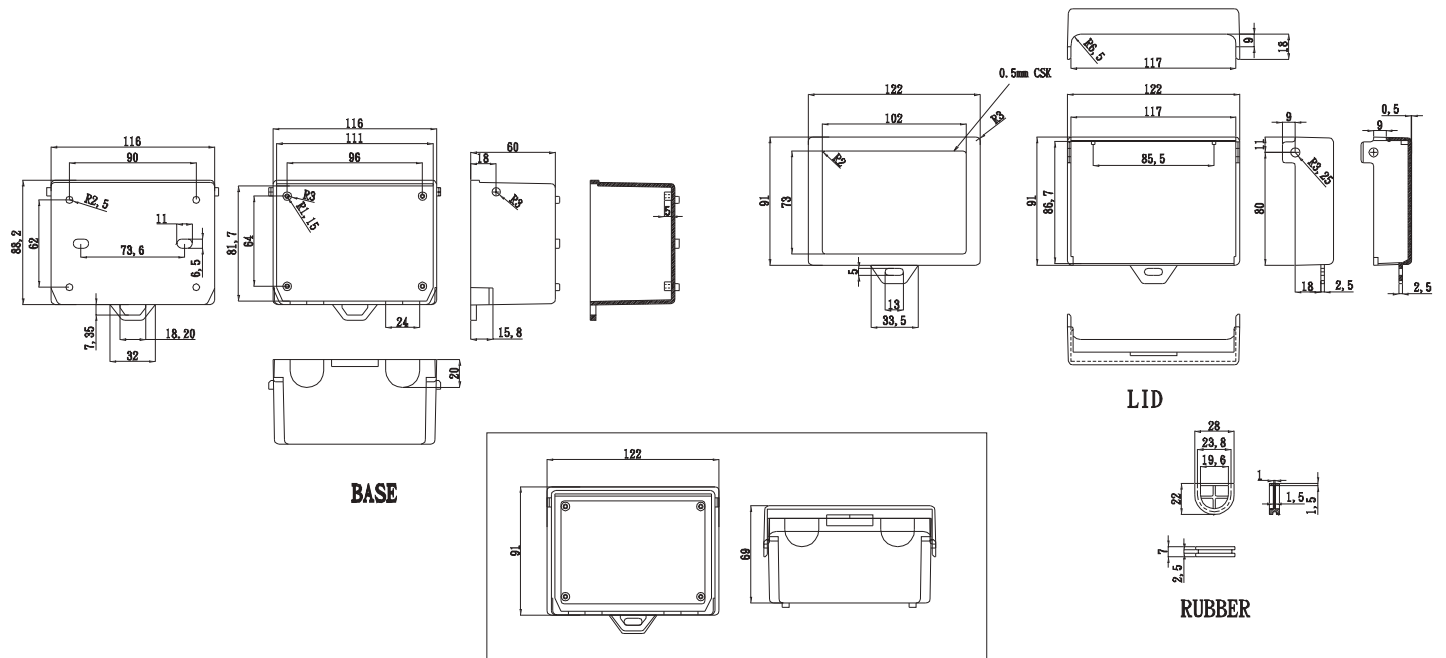
- Snap-in design can be opened and closed easily without the tool.
- Rubber of the cable entry can be cut by knife easily for the cable connection.
- 4 pcs of internal bosses are available for PCB assembly.
- Ideally use for indoor/outdoor telecommunication devices.

ITEM No.	CABLE ENTRY	COLOUR	EXTERNAL DIMENSION(MM)
RND 455-00299	1 WAY	Grey	91 X 79 X 45
RND 455-00300	1 WAY	Black	91 X 79 X 45
RND 455-00301	2 WAY	Grey	91 X 122 X 69
RND 455-00302	2 WAY	Black	91 X 122 X 69

RND 455-00299 / RND 455-00300



RND 455-00301 / RND 455-00302

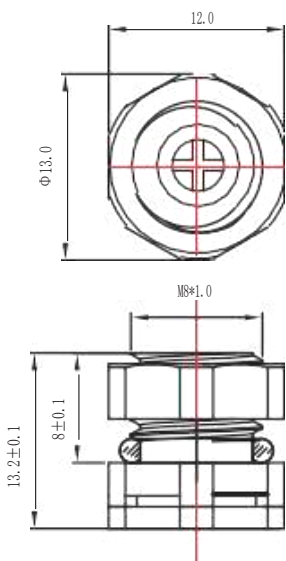
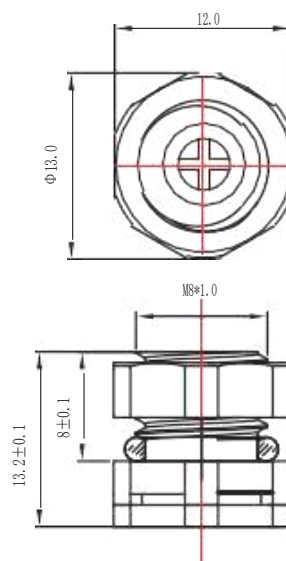
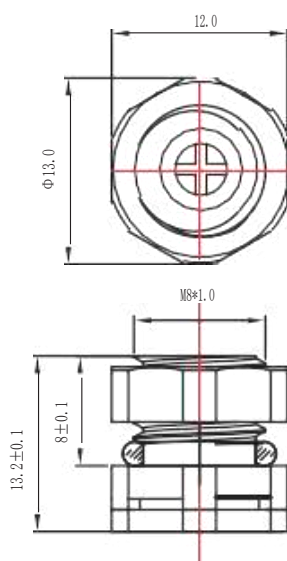
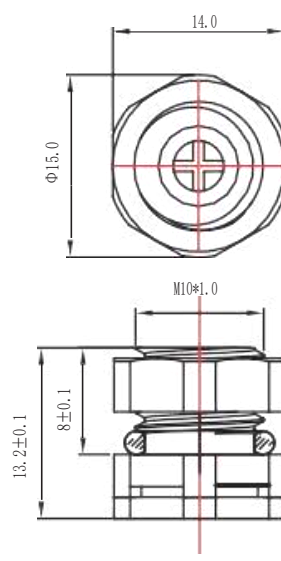
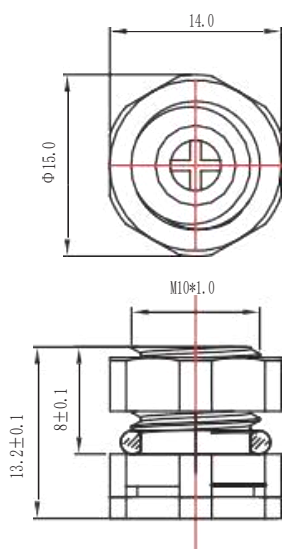
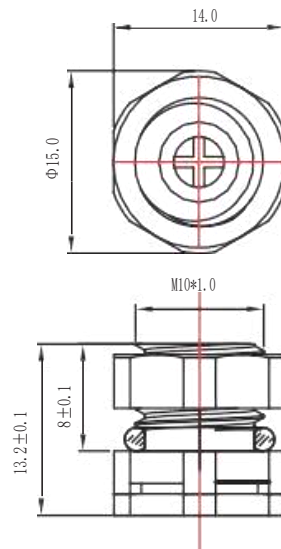


Pressure Compensating Element

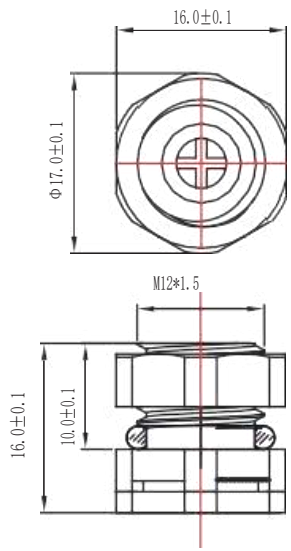
FEATURES:

- Easy to install: fast and simple integration ensure stable performance in any application
- Waterproof, IP66 / IP68 protection
- Safe and reliable
- For use with outdoor lighting, sensor equipment, outdoor communication equipment & more

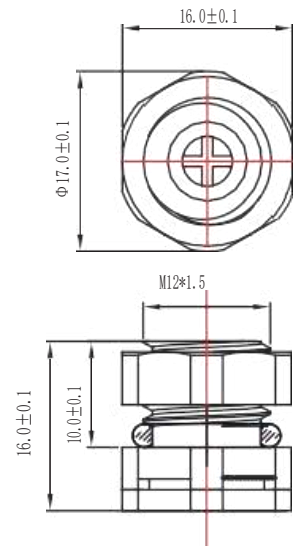
ITEM No.	VENT COLOUR	Airflow	Mounting Hole Diameter
RND 455-01099	Black	1800 ml / Min. (dp = 70 mbar)	8.5 mm
RND 455-01100	Grey	1800 ml / Min. (dp = 70 mbar)	8.5 mm
RND 455-01101	Dark Grey	1800 ml / Min. (dp = 70 mbar)	8.5 mm
RND 455-01102	Black	2700 ml / Min. (dp = 70 mbar)	10.5 mm
RND 455-01103	Grey	2700 ml / Min. (dp = 70 mbar)	10.5 mm
RND 455-01104	Dark Grey	2700 ml / Min. (dp = 70 mbar)	10.5 mm
RND 455-01105	Black	4000 ml / Min. (dp = 70 mbar)	12.5 mm
RND 455-01106	Grey	4000 ml / Min. (dp = 70 mbar)	12.5 mm
RND 455-01107	Dark Grey	4000 ml / Min. (dp = 70 mbar)	12.5 mm
RND 455-01108	Black	19000 ml / Min. (dp = 70 mbar)	24.5 mm
RND 455-01109	Grey	19000 ml / Min. (dp = 70 mbar)	24.5 mm
RND 455-01110	Dark Grey	19000 ml / Min. (dp = 70 mbar)	24.5 mm
RND 455-01111	Black	50000 ml / Min. (dp = 70 mbar)	40.5 mm
RND 455-01112	Grey	50000 ml / Min. (dp = 70 mbar)	40.5 mm
RND 455-01113	Silver	50000 ml / Min. (dp = 70 mbar)	40.5 mm
RND 455-01114	Silver	800 ml / Min. (dp = 70 mbar)	6.5 mm
RND 455-01115	Silver	1400 ml / Min. (dp = 70 mbar)	8.5 mm
RND 455-01116	Silver	2300 ml / Min. (dp = 70 mbar)	10.5 mm
RND 455-01117	Silver	3000 ml / Min. (dp = 70 mbar)	12.5 mm
RND 455-01118	Silver	15000 ml / Min. (dp = 70 mbar)	24.5 mm
RND 455-01119	Silver	26000 ml / Min. (dp = 70 mbar)	32.5 mm
RND 455-01120	Silver	40000 ml / Min. (dp = 70 mbar)	40.5 mm
RND 455-01121	Metallic	800 ml / Min. (dp = 70 mbar)	6.5 mm
RND 455-01122	Metallic	1400 ml / Min. (dp = 70 mbar)	8.5 mm
RND 455-01123	Metallic	2300 ml / Min. (dp = 70 mbar)	10.5 mm
RND 455-01124	Metallic	3000 ml / Min. (dp = 70 mbar)	12.5 mm
RND 455-01125	Metallic	15000 ml / Min. (dp = 70 mbar)	24.5 mm
RND 455-01126	Metallic	26000 ml / Min. (dp = 70 mbar)	32.5 mm
RND 455-01127	Metallic	40000 ml / Min. (dp = 70 mbar)	40.5 mm
RND 455-01128	Silver	800 ml / Min. (dp = 70 mbar)	6.5 mm
RND 455-01129	Silver	1400 ml / Min. (dp = 70 mbar)	8.5 mm
RND 455-01130	Silver	2300 ml / Min. (dp = 70 mbar)	10.5 mm
RND 455-01131	Silver	3000 ml / Min. (dp = 70 mbar)	12.5 mm
RND 455-01132	Silver	15000 ml / Min. (dp = 70 mbar)	24.5 mm
RND 455-01133	Silver	26000 ml / Min. (dp = 70 mbar)	32.5 mm
RND 455-01134	Silver	40000 ml / Min. (dp = 70 mbar)	40.5 mm
RND 455-01135	Black	2700 ml / Min. (dp = 70 mbar)	8.7 mm
RND 455-01136	Grey	4000 ml / Min. (dp = 70 mbar)	8.7 mm

RND 455-01099**RND 455-01100****RND 455-01101****RND 455-01102****RND 455-01103****RND 455-01104**

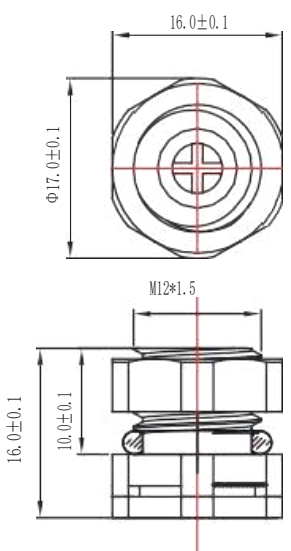
RND 455-01105



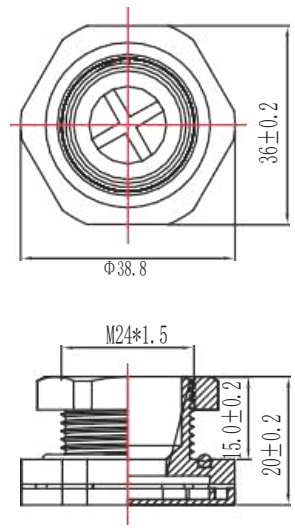
RND 455-01106



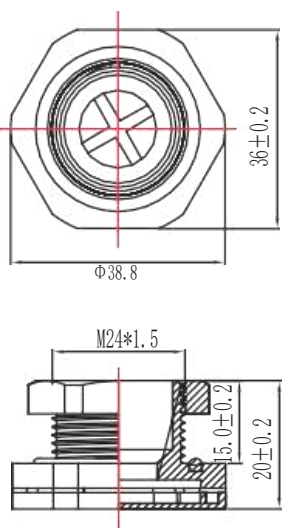
RND 455-01107



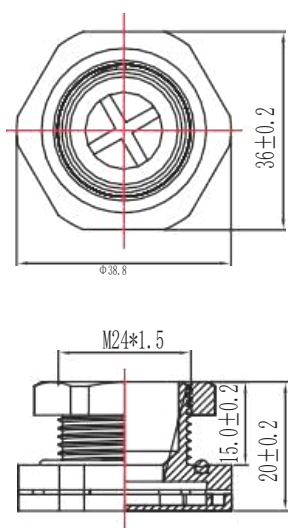
RND 455-01108



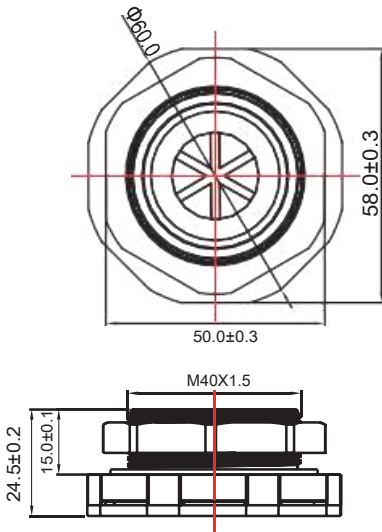
RND 455-01109



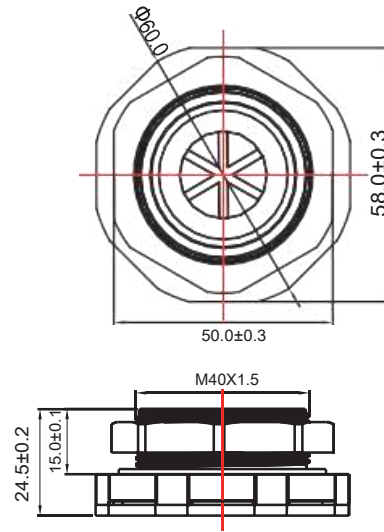
RND 455-01110



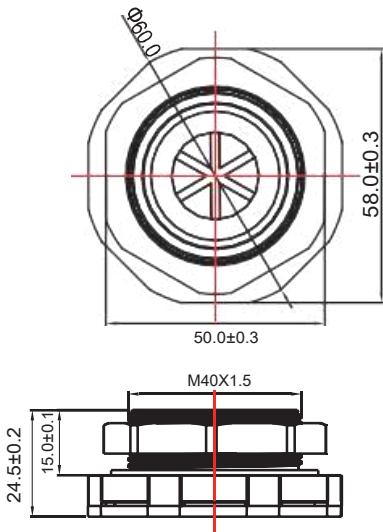
RND 455-01111



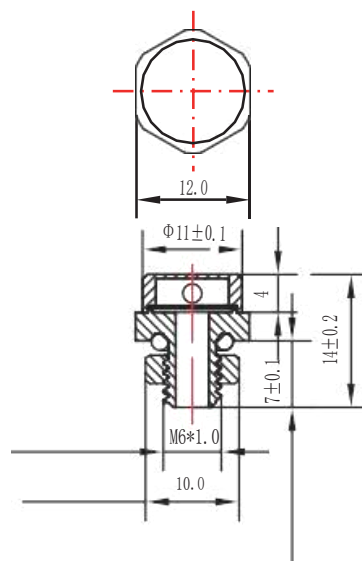
RND 455-01112



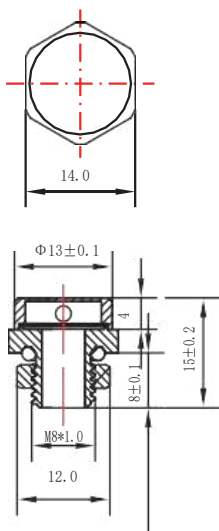
RND 455-01113



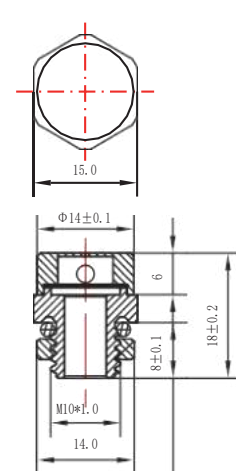
RND 455-01114



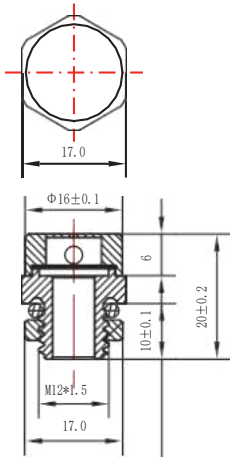
RND 455-01115



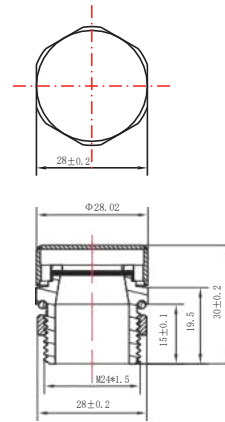
RND 455-01116



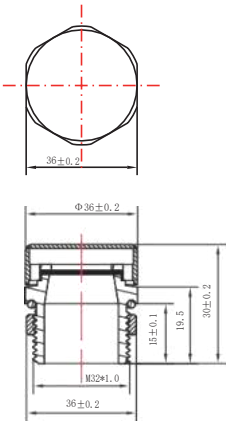
RND 455-01117



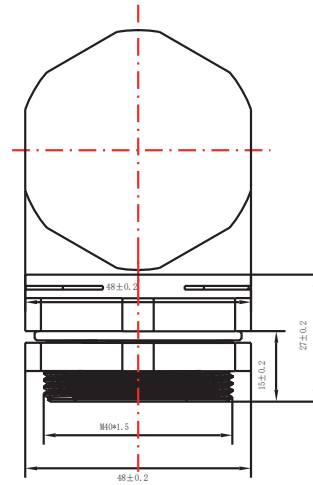
RND 455-01118



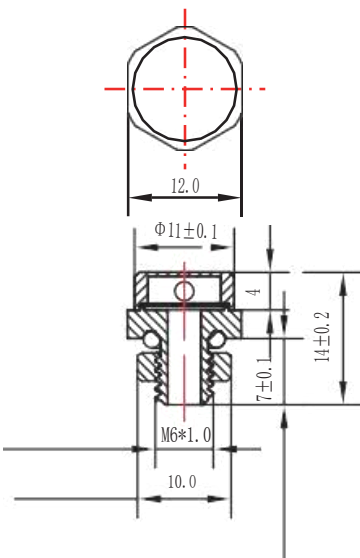
RND 455-01119



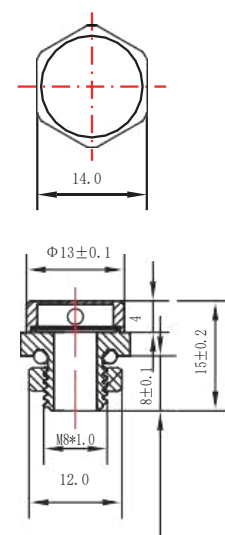
RND 455-01120



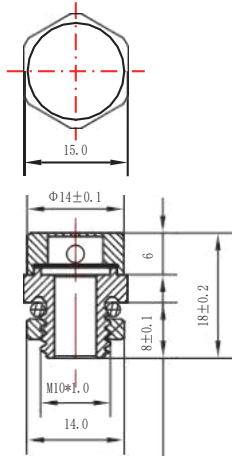
RND 455-01121



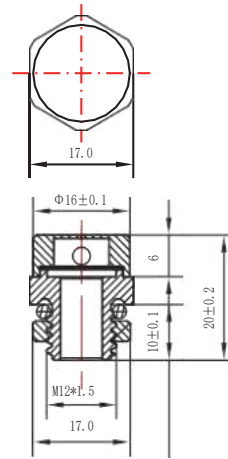
RND 455-01122



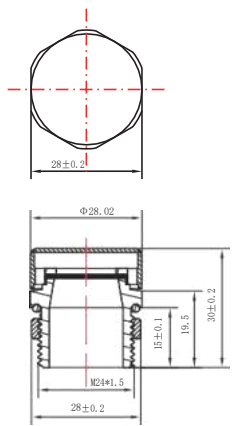
RND 455-01123



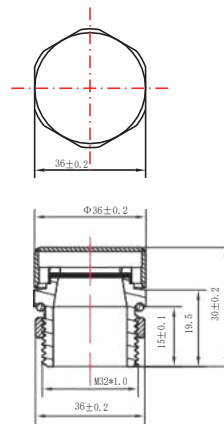
RND 455-01124



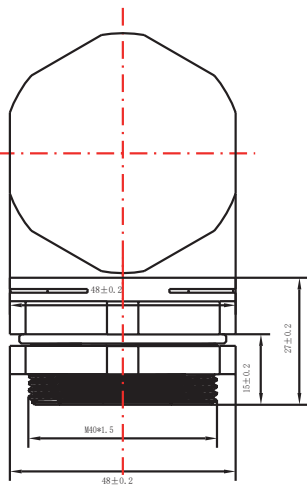
RND 455-01125



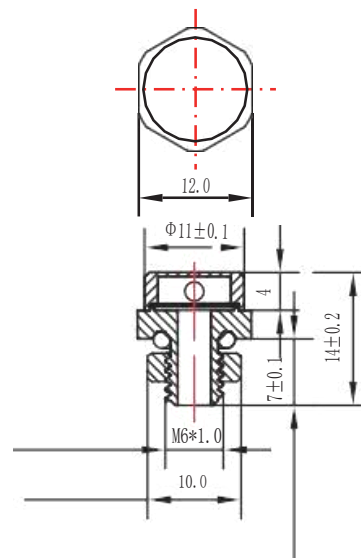
RND 455-01126



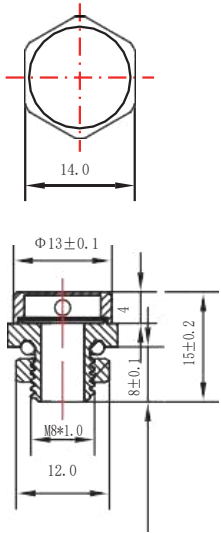
RND 455-01127



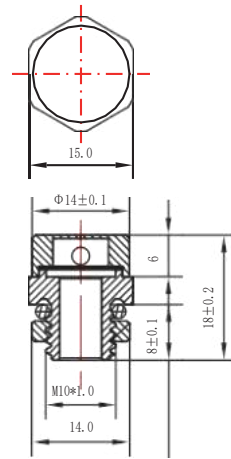
RND 455-01128



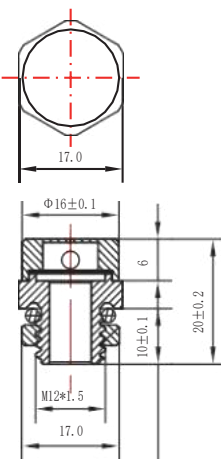
FB8 () ! \$ % & -



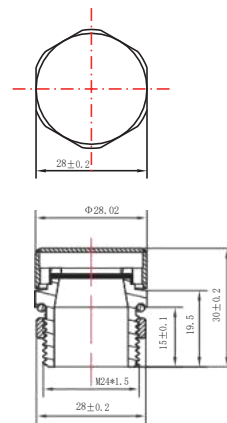
FB8 () ! \$ % % \$



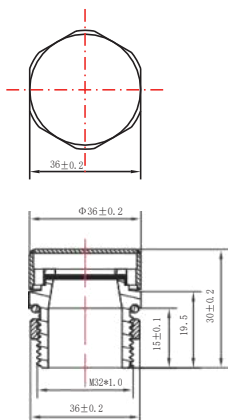
FB8 () ! \$ % % %



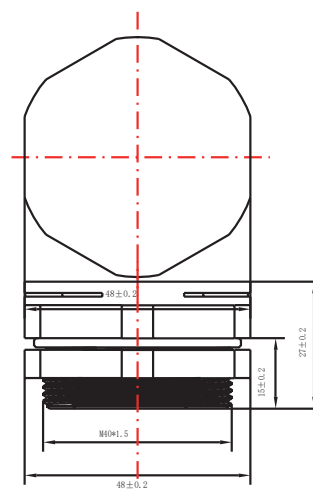
FB8 () ! \$ % % &



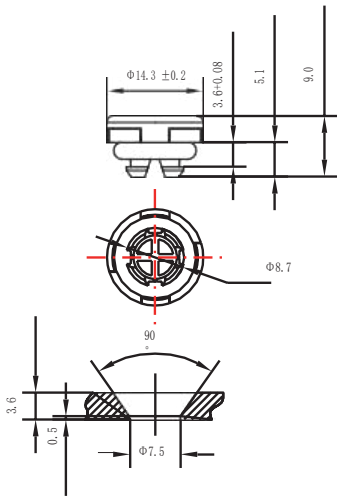
FB8 () ! \$ % % '



FB8 () ! \$ % % (



FB8 () ! \$ % %)



FB8 () ! \$ % % *

