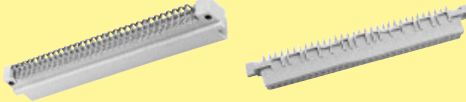
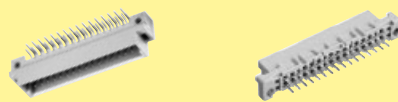

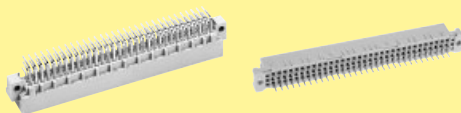



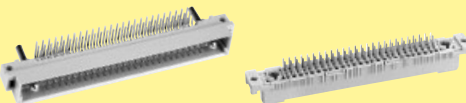
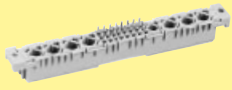

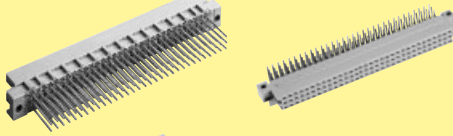
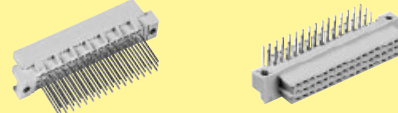
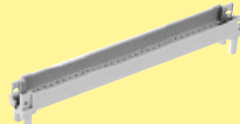


Types B, 2B, 3B, C, 2C, 3C, M, M invers, Q, 2Q, 3Q, R, 2R, 3R

Page

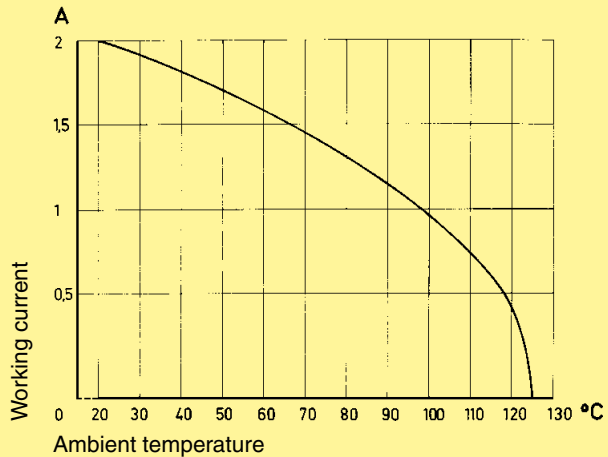
Technical characteristics		01.10
Type B connectors		01.11
Type 2B connectors		01.16
Type 3B connectors		01.18
Type C connectors		01.20
Type 2C connectors		01.27
Type 3C connectors		01.32
Special contacts type M		01.36
Type M connectors		01.41
Type M-flat connectors		01.43
Type M invers connectors		01.44
Type R, RM, R (HE 11) connectors		01.46
Type Q, 2Q, 3Q, 2R and 3R connectors ...		01.52
Pin shroud, adapter		01.61
Application examples		01.64

Number of contacts	16-96
Contact spacing (mm)	2.54
Working current see current carrying capacity chart	2 A max. 1 A with insulation displacement 40 A max. type M
Clearance	≥ 1.2 mm
Creepage	≥ 1.2 mm
Working voltage	according to the safety regulations of the equipment Explanations see chapter 00
The working voltage also depends on the clearance and creepage dimensions of the pcb itself, and the associated wiring	
Test voltage $U_{r.m.s.}$	1 kV
Contact resistance	≤ 20 mΩ
Insulation resistance	≥ 10 ¹² Ω for standard articles ≥ 10 ¹¹ Ω for special NFF articles (with part-no. ending 222)
Temperature range	- 55 °C ... + 125 °C - 40 °C ... + 105 °C for press-in connector
The higher temperature limit includes the local ambient and heating effects of the contacts under load	
During reflow soldering	max. + 240 °C for 15 s for SMC connectors
Degree of protection for crimp terminal	IP 20 according to DIN 40 050
Electrical termination	
Male and female connector	Solder pins for pcb connections Ø 1.0 ± 0.1 mm according to IEC 60 326-3 wrap posts 0.6 x 0.6 mm diagonal 0.79-0.86 mm Crimp terminal 0.09-0.5 mm ² Insulation displacement connection AWG 28/7
Compliant press-in terminations	
PCB thickness	≥ 1.6 mm
Recommended PCB holes for press-in technology	See recommendation page 00.25 in acc. to EN 60 352-5
Insertion and withdrawal force	16way ≤ 15 N 20way ≤ 20 N 30way ≤ 30 N 32way ≤ 30 N 48way ≤ 45 N 64way ≤ 60 N 96way ≤ 90 N
Materials	
Mouldings	Thermoplastic resin, glass-fibre filled, UL 94-V0
Contacts	Copper alloy
Contact surface	
Contact zone	Selectively plated according to performance level ¹⁾
¹⁾ Explanation performance levels see chapter 00	
Mating conditions see chapter 00	

Current carrying capacity

The current carrying capacity is limited by maximum temperature of materials for inserts and contacts including terminals. The current capacity curve is valid for continuous, non interrupted current loaded contacts of connectors when simultaneous power on all contacts is given, without exceeding the maximum temperature.

Control and test procedures according to DIN IEC 60 512



Pin shroud for male and female connectors with 0.6 x 0.6 mm pins

A secure interfacing system for signals from the rear of 19" racks to connectors with wrap posts 0.6 x 0.6 mm is possible with the use of a pin shroud.

The pin shroud protects the wrap posts on the rear side of the rack and can be screwed to the printed circuit board (screw fixing) or can be pressed onto the pins (press-in fixing).

After assembly the rear ends of the wire wrap posts become the mating areas of a type C resp. type 2C male connector.

This system can now accept:

- female connectors type C
- female connectors type 2C
- female connectors type R
- female connectors type 2R

The locking levers provide security for the mated connectors. Fast and simple disconnection is possible (see application examples, pages 01.64 ff).

Fitting and removing crimp contacts

see technical characteristics chapter 03

Number of contacts

64, 32

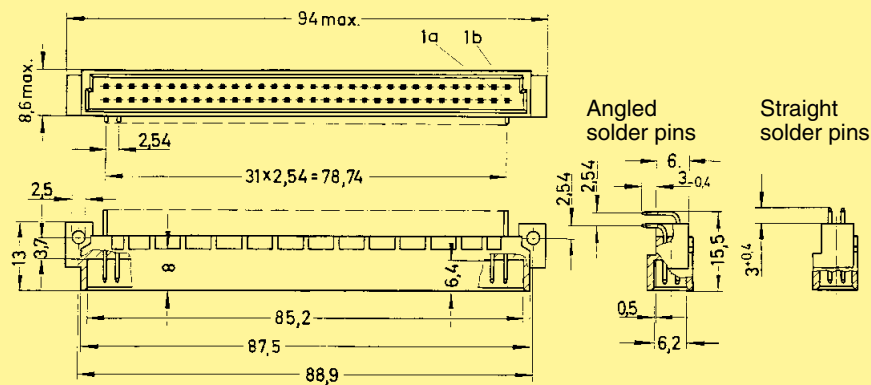


Male connectors

Identification	Number of contacts	Contact arrangement	Part No.	Performance levels according to IEC 60603-2. Explanation chapter 00		
				3	2	1
Male connector with angled solder pins	64		09 02 164 7921	09 02 164 6921 09 02 164 6921 222 ^{f)} 09 02 364 6921 ^{b)} 09 02 664 6921 ^{c)}	09 02 164 2921	
	32		09 02 132 7921	09 02 132 6921 09 02 632 6921 ^{c)}	09 02 132 2921	
	32		09 02 132 7931	09 02 132 6931 09 02 332 6931 ^{b)}	09 02 132 2931	
	62 + 2 [▲]			09 02 164 6951	09 02 164 2951	
SMC	64		09 02 164 7919 ^{d)}	09 02 164 6919 ^{d)}		
Male connector with straight solder pins	64		09 02 164 7922	09 02 164 6922	09 02 164 2922	
	32		09 02 132 7922	09 02 132 6922		
	32			09 02 132 6932		
	62 + 2 [▲]			09 02 164 6952	09 02 164 2952	
SMC	64			09 02 164 6920 ^{d)}		

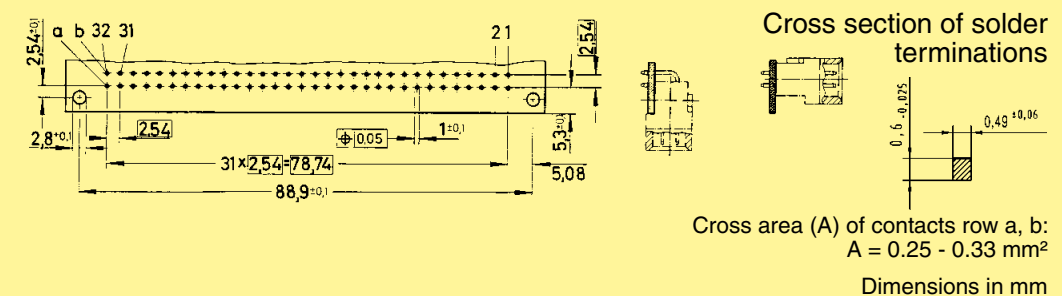
DIN Signal up to 2 A

Dimensions



Board drillings

Mounting side

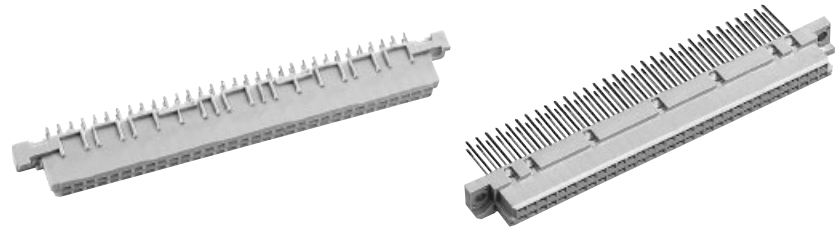


[▲] Male connectors with 2 leading contacts [(0.8 mm) pos. a1 and a32]. Lagging pins on request.
Other contact arrangements on request
^{b)} Connectors with snap-in clips see chapter 00

^{c)} Connectors with coding see chapter 00
^{d)} CTI > 400
^{f)} Railway classification NFF 16-101, Smoke index: F1, Flammability class: I2

Number of contacts

64



Female connectors

Identification	Number of contacts	Contact arrangement	Part No.	Performance levels according to IEC 60603-2. Explanation chapter 00		
				3	2	1
Female connector with solder pins 2.9 mm	64		Performance level 3 on request	09 02 264 6824 09 02 464 6824 ^{b)} 09 02 764 6824 ^{c)}	09 02 264 2824	
	SMC 64			09 02 264 6841 ^{d)}		
Female connector with solder pins 4.5 mm	64			09 02 264 6825 09 02 264 6825 222 ^{f)} 09 02 464 6825 ^{b)} 09 02 764 6825 ^{c)}	09 02 264 2825	
	SMC 64			09 02 264 6829 ^{d)}		
Female connector with solder pins 13 mm	64			09 02 264 6421		
Female connector with press-in pins 4.5 mm	64			09 02 264 6850 09 02 264 6850 222 ^{f)}	09 02 264 2850	
Female connector with press-in pins without flange 5.3 mm	64			09 02 264 6870		
Female connector with press-in pins 13.2 mm	64			09 02 264 6861 ^{a)}		
Female connector with wrap posts ¹⁾ 13 mm	64			09 02 264 6821		
Female connector with solder lugs 5.2 mm	64		09 02 264 6823			

DIN Signal up to 2 A

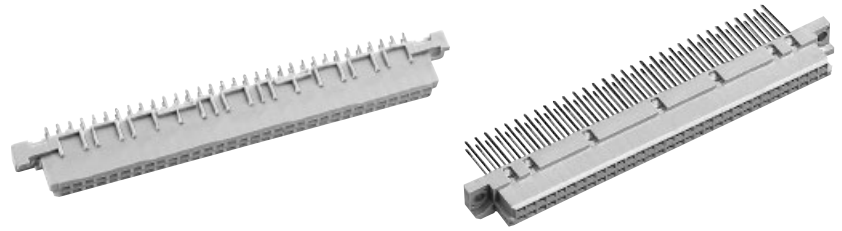
01 12

1) To be used only for wire wrap termination
 a) Wrap posts selectively gold plated (performance level 3)
 b) Connectors with snap-in clips see chapter 00
 c) Connectors with coding see chapter 00

d) CTI > 400
 f) Railway classification NFF 16-101, Smoke index: F1, Flammability class: I2
 Other contact arrangements on request

Number of contacts

64



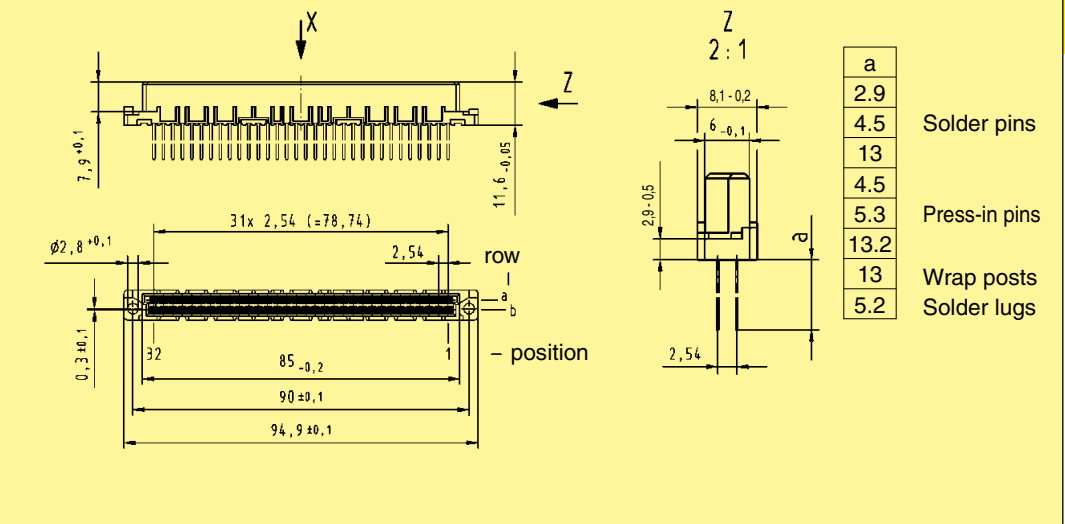
Female connectors

Identification

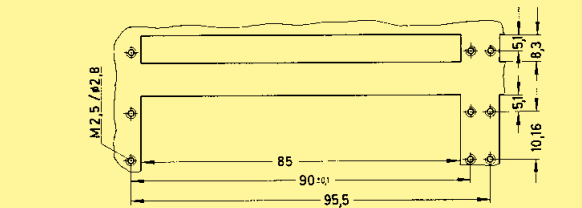
Drawing

Dimensions in mm

Dimensions

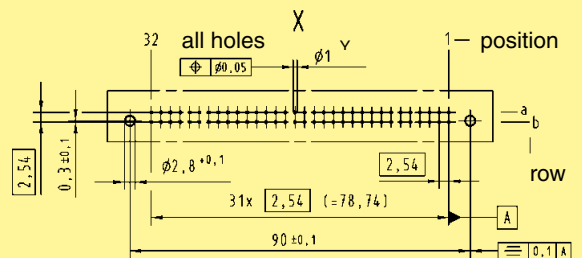


Panel cut out



Board drillings

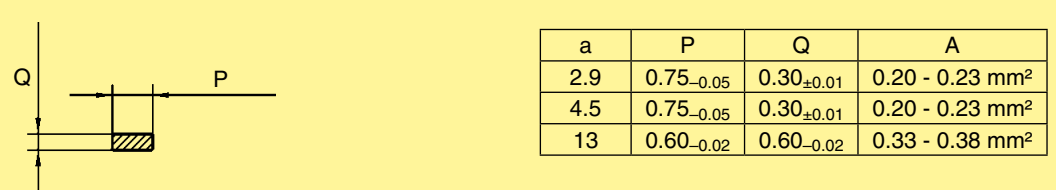
Mounting side



	Y
Solder	1 ± 0.1
Press-in	see recommendation page 00.25

Identification strips for female connectors with wrap posts 09 02 000 9939

Cross section of solder terminations



Cross area (A) of contacts

DIN Signal up to 2 A

Number of contacts

64



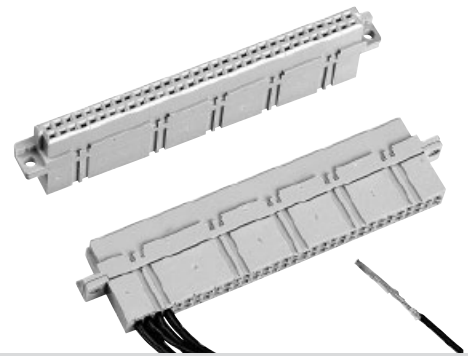
Female connectors

DIN Signal up to 2 A

Identification	Number of contacts	Part No.	Drawing	Dimensions in mm
Female connector for insulation displacement	64	Performance level 2 ¹⁾ 09 02 264 6828		
Strain relief (metal)		Performance level 3 ¹⁾ 09 02 264 7828		
Panel cut out				
Flat cable AWG 28/7				²⁾ Termination area spacing = 508 mm Important: always store reels vertically
grey 30.48 m	64	09 18 064 7001	Wire (tinned)	Cu
grey 100.00 m	64	09 18 064 7004	Gauge	AWG 28/7 0.089 mm ²
colour coded 30.48 m	64	09 18 064 7005	Insulation material as per UL style	PVC
twisted pair ²⁾ 30.48 m	64	09 18 064 7006		
Round flat cable ³⁾				³⁾ Termination area spacing = 100 mm
with screening 30.48 m	64	09 18 064 7007	Edge mark on first conductor	
100.00 m	64	09 18 064 7010		
without screening 30.48 m	64	09 18 064 7008		
100.00 m	64	09 18 064 7011		
Bench press		09 99 000 0114		
Base plate		09 99 000 0150		
Cable cutter		09 99 000 0116		
Spare parts				
Blade		09 99 000 0179		
Cutting plate		09 99 000 0180		

Number of contacts

max. 64



Female connectors

DIN Signal
up to 2 A

Identification	Number of contacts	Part No.	Drawing	Dimensions in mm
<p>Female connector for crimp contacts</p> <p>Order contacts separately</p>	64	09 02 064 3214 ¹⁾	<p>View from termination side</p>	<p>Shell housing 09 02 064 0501 / 09 02 064 0502 see chapter 20</p>

Identification	Part No.	Performance levels according to IEC 60603-2.
		2 1
<p>Female crimp contacts BC</p>		
<p>Bandoliered contacts (approx. 5,000 pieces)</p>	09 02 000 6484	09 02 000 6474
<p>Bandoliered contacts (approx. 500 pieces)</p>	09 02 000 8434	09 02 000 8444
<p>Individual contacts¹⁾</p>	09 02 000 8484	09 02 000 8474
	<p>Wire gauge mm² AWG Insulation ø mm</p> <p>0.09 - 0.5 28 - 20 0.7 - 1.5</p>	<p>Bandoliered contacts</p>
	<p>3.5 + 0.5 mm of insulation is stripped from the wires to be crimped</p> <p>For the fabrication in line with the specification please use exclusively crimp tools approved by HARTING (see DIN EN 60352-2)</p> <p>Insertion, removal and crimping tools see chapter 30</p>	<p>Individual contacts</p>

¹⁾ Packaging unit 1,000 pieces

¹⁾ Railway classification NFF 16-101, Smoke index: F1, Flammability class: I2

DIN 41 612 · complementary type 2B



Number of contacts

32, 16

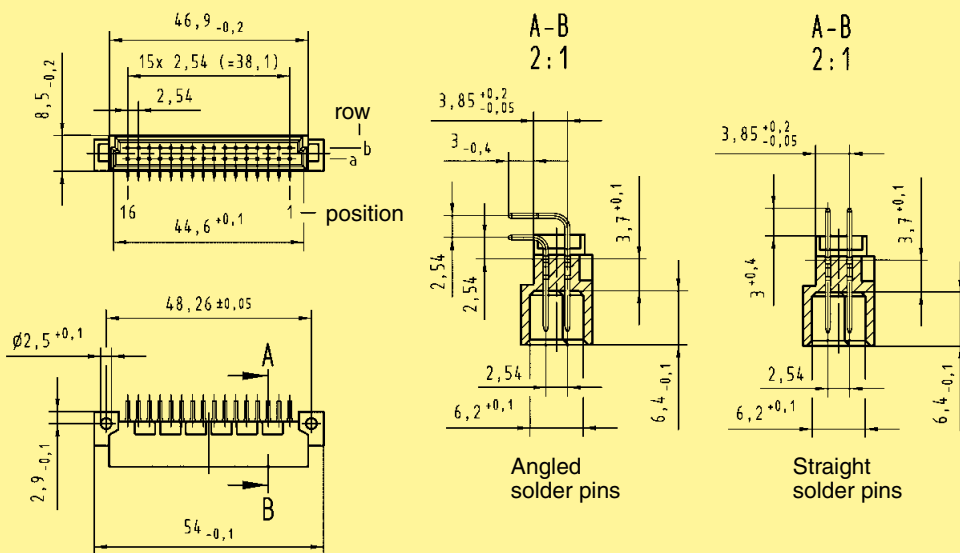


Male connectors

DIN Signal up to 2 A

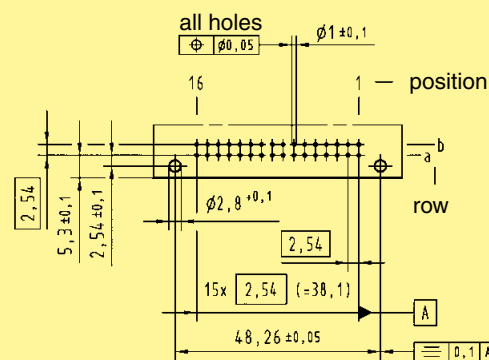
Identification	Number of contacts	Contact arrangement	Part No.	Performance levels according to IEC 60603-2. Explanation chapter 00		
				3	2	1
Male connector with angled solder pins	SMC		09 22 132 7921	09 22 132 6921	09 22 132 2921	
				09 22 132 6921 222 ^{f)}		
				09 22 332 6921 ^{b)}		
				09 22 132 6919 ^{d)}		
				09 22 332 6919 ^{b)} d)		
16		09 22 116 6921				
			09 22 116 6931			
30 + 2 [▲]		09 22 132 6951				
Male connector with straight solder pins	SMC		09 22 132 7922	09 22 132 6922	09 22 132 2922	
				09 22 132 6920 ^{d)}		

Dimensions

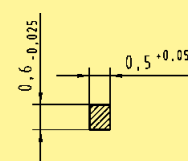


Board drillings

Mounting side



Cross section of solder terminations



Cross area (A) of contacts row a, b: A = 0.29 - 0.33 mm²

Dimensions in mm

▲ Male connectors with 2 leading contacts [(0.8 mm) pos. a1 and a16]. Lagging pins on request.

b) Connectors with snap-in clips see chapter 00

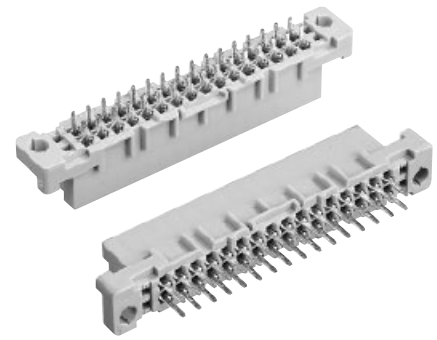
d) CTI > 400

f) Railway classification NFF 16-101, Smoke index: F1, Flammability class: I2

Other contact arrangements on request

Number of contacts

32

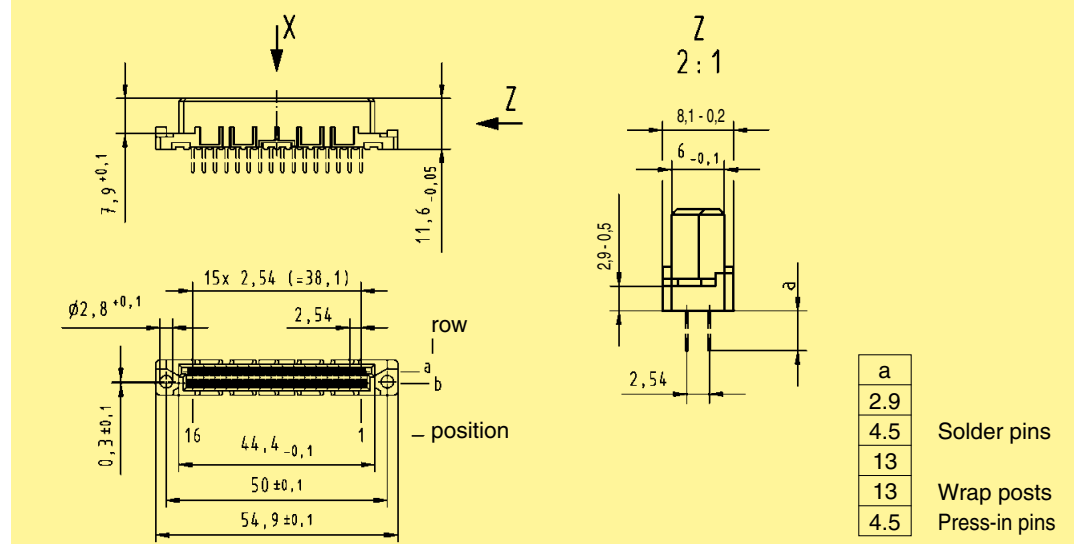


Female connectors

Identification	Number of contacts	Contact arrangement	Part No.	Performance levels according to IEC 60603-2. Explanation chapter 00		
				3	2	1
Female connector with solder pins 2.9 mm 4.5 mm 13 mm Female connector with wrap posts ¹⁾ 13 mm Female connector with press-in pins 4.5 mm	32		Performance level 3 on request	09 22 232 6824	Performance level 1 on request	
	SMC 32			09 22 232 6824 222 ^{f)}		
	SMC 32			09 22 432 6824 ^{b)}		
	32			09 22 232 6841 ^{d)}		
	32			09 22 232 6825		
				09 22 232 6825 222 ^{f)}		
				09 22 432 6825 ^{b)}		
				09 22 232 6829 ^{d)}		
				09 22 232 6421		
				09 22 232 6821		
				09 22 232 6850		

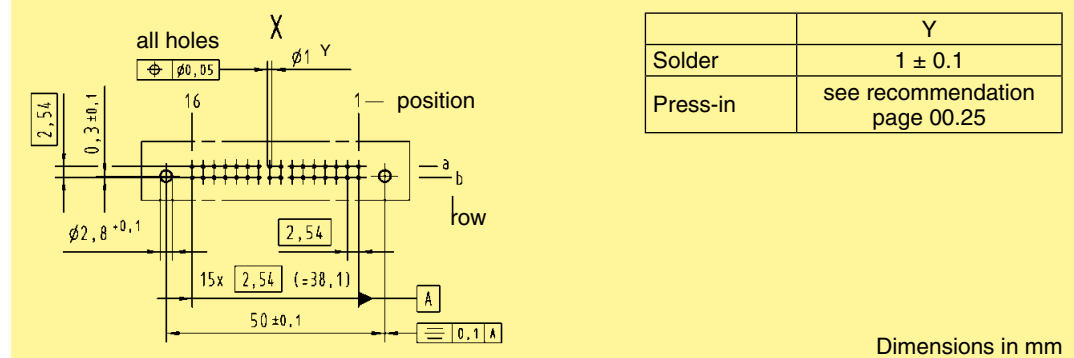
DIN Signal up to 2 A

Dimensions



Board drillings

Mounting side



Cross section of solder terminations

see page 01.13

Dimensions in mm

¹⁾ To be used only for wire wrap termination
^{b)} Connectors with snap-in clips see chapter 00
^{d)} CTI > 400

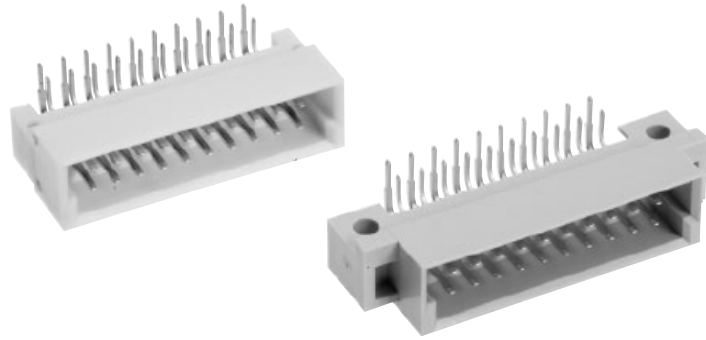
^{f)} Railway classification NFF 16-101, Smoke index: F1, Flammability class: I2
 Other contact arrangements on request

DIN 41 612 · complementary type 3B



Number of contacts

20

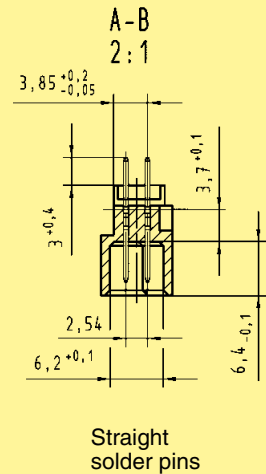
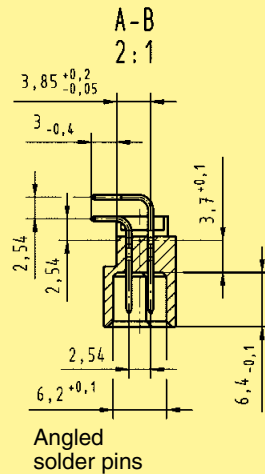
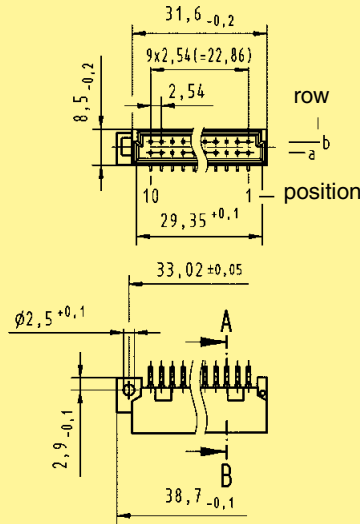


Male connectors

Identification	Number of contacts	Contact arrangement	Part No.	Performance levels according to IEC 60 603-2.	
			3	2	1
Male connector with angled solder pins with fixing flange	20		Performance level 3 on request	09 24 120 6921 09 24 320 6921 ^{b)}	Performance level 1 on request
	20			09 24 120 6919 ^{d)}	
	20			09 24 120 6571	
	20			09 24 120 6579 ^{d)}	
Male connector with straight solder pins with fixing flange	20			09 24 120 6922	

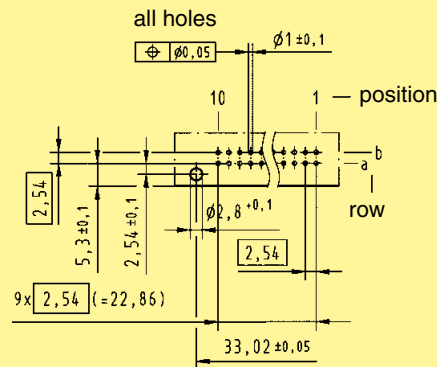
Dimensions

with fixing flange without fixing flange

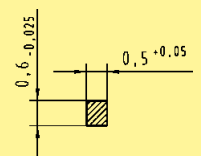


Board drillings

Mounting side



Cross section of solder terminations



Cross area (A) of contacts row a, b: A = 0.29 - 0.33 mm²

Dimensions in mm

Other contact arrangements on request

^{b)} Connectors with snap-in clips see chapter 00

^{d)} CTI > 400

DIN 41 612 · complementary type 3B



Number of contacts

20



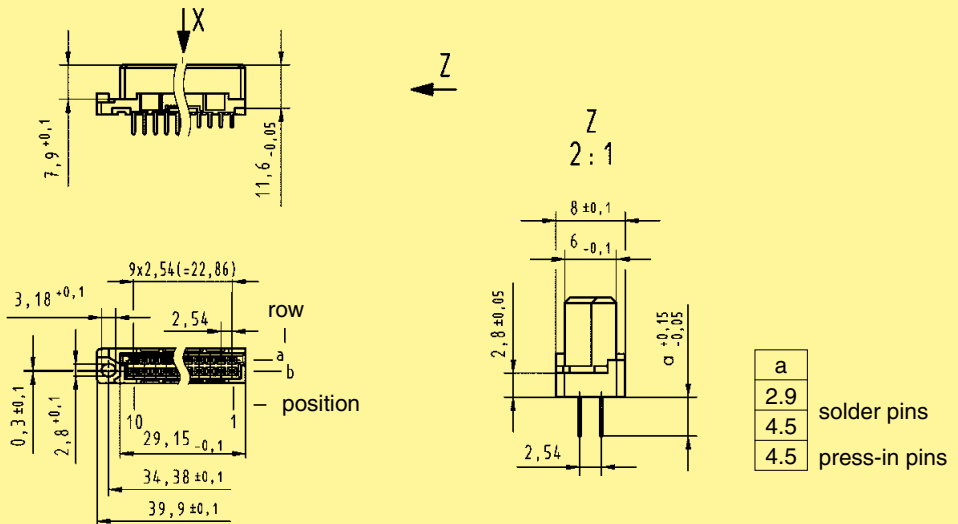
Female connectors

Identification	Number of contacts	Contact arrangement	Part No.	Performance levels according to IEC 60 603-2.		
				3	2	1
Female connector with solder pins 2.9 mm	20		Performance level 3 on request	09 24 220 6824	Performance level 1 on request	
with fixing flange	20			09 24 220 6841 ^{d)}		
with fixing flange, SMC	20			09 24 220 6414 ^{d)}		
without fixing flange, SMC	20					
Female connector with solder pins 4.5 mm	20		Performance level 3 on request	09 24 220 6825	Performance level 1 on request	
with fixing flange	20					
Female connector with press-in pins 4.5 mm	20		Performance level 3 on request	09 24 220 6850	Performance level 1 on request	
with fixing flange	20					
without fixing flange	20			09 24 220 6870		

DIN Signal up to 2 A

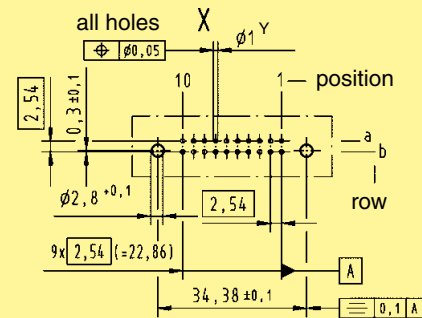
Dimensions

with fixing flange without fixing flange

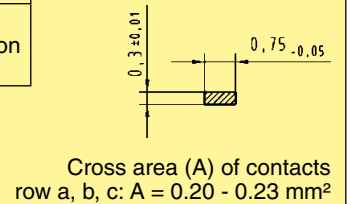


Board drillings

Mounting side



Cross section of solder terminations

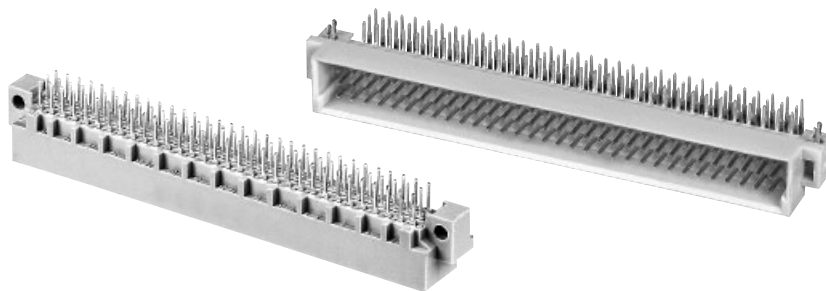


Dimensions in mm

^{d)} CTI > 400

Number of contacts

96, 64, 32



Male connectors

DIN Signal up to 2 A

Identification	Number of contacts	Contact arrangement	Part No. Performance levels according to IEC 60603-2. Explanation chapter 00			
			3	2	1	
Male connector with angled solder pins	96		09 03 196 7921	09 03 196 6921	09 03 196 2921	
			09 03 396 7921 ^{b)}	09 03 196 6921 222 ^{f)} 09 03 396 6921 ^{b)} 09 03 696 6921 ^{c)} 09 03 696 6921 222 ^{c)f)} 09 03 896 6921 ^{b)c)}	09 03 196 2921 222 ^{f)} 09 03 396 2921 ^{b)} 09 03 696 2921 ^{c)}	
	SMC	96			09 03 196 6919 ^{d)} 09 03 396 6919 ^{b)d)} 09 03 696 6919 ^{c)d)}	09 03 196 2919 ^{d)} 09 03 396 2919 ^{b)d)}
				SMC	64	
	09 03 364 7921 ^{b)}	09 03 164 6921 222 ^{f)} 09 03 364 6921 ^{b)} 09 03 664 6921 ^{c)} 09 03 864 6921 ^{b)c)}	09 03 164 2921 222 ^{f)} 09 03 364 2921 ^{b)} 09 03 664 2921 ^{c)}			
	SMC	64			09 03 164 6919 ^{d)} 09 03 364 6919 ^{b)d)}	09 03 164 2919 ^{d)}
				SMC	32	
	09 03 332 7921 ^{b)}	09 03 332 6921 ^{b)} 09 03 632 6921 ^{c)}	09 03 332 2921 ^{b)}			
	SMC	94 + 2 [▲]		09 03 196 7951	09 03 196 6951 09 03 396 6951 ^{b)} 09 03 696 6951 ^{c)}	09 03 196 2951
		94 + 2 [▲]			09 03 396 6918 ^{b)d)}	
62 + 2 [▲]			09 03 164 7951 09 03 364 7951 ^{b)}	09 03 164 6951 09 03 364 6951 ^{b)} 09 03 664 6951 ^{c)}	09 03 164 2951	
62 + 2 [▲]				09 03 164 6918 ^{d)}		
Male connector with straight solder pins	96		09 03 196 7922	09 03 196 6922	09 03 196 2922	
	SMC	96		09 03 196 6920 ^{d)}		
	SMC	64		09 03 164 6922	09 03 164 2922	

▲ Male connectors with 2 leading contacts [(0.8 mm) pos. a1 and a32]. Lagging pins on request.

b) Connectors with snap-in clips see chapter 00

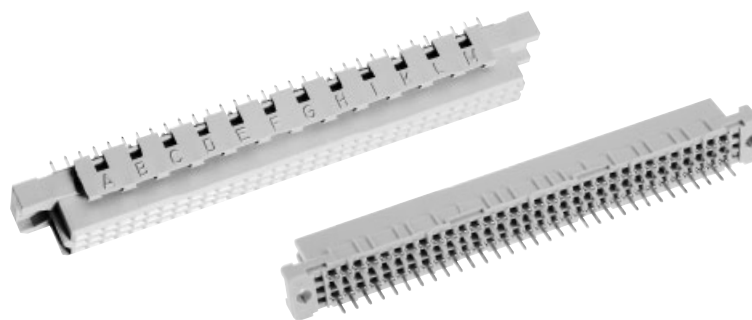
c) Connectors with coding see chapter 00

d) CTI > 400

f) Railway classification NFF 16-101, Smoke index: F1, Flammability class: I2

Number of contacts

96, 64, 32



Female connectors

DIN Signal up to 2 A

Identification	Number of contacts	Contact arrangement	Part No. Performance levels according to IEC 60603-2. Explanation chapter 00		
			3	2	1
Female connector with solder pins 2.9 mm	96		09 03 296 7824	09 03 296 6824 09 03 296 6824 222 ^{f)} 09 03 496 6824 ^{b)} 09 03 796 6824 ^{c)}	09 03 296 2824 09 03 296 2824 222 ^{f)} 09 03 496 2824 ^{b)}
				09 03 296 6841 ^{d)}	
	64		09 03 264 7824	09 03 264 6824 09 03 264 6824 222 ^{f)} 09 03 464 6824 ^{b)} 09 03 764 6824 ^{c)}	09 03 264 2824 09 03 264 2824 222 ^{f)} 09 03 464 2824 ^{b)}
				09 03 264 6841 ^{d)}	
32		09 03 232 7824	09 03 232 6824 09 03 432 6824 ^{b)}	09 03 232 2824 09 03 432 2824 ^{b)}	
Female connector with kinked solder pins ¹⁾ 2.9 mm	96		09 03 296 7855	09 03 296 6855	09 03 296 2855
	64		09 03 264 7855	09 03 264 6855	
	32		09 03 232 7855	09 03 232 6855	09 03 232 2855
Female connector with solder pins 4.5 mm	96		09 03 296 7825	09 03 296 6825 09 03 296 6825 222 ^{f)} 09 03 496 6825 ^{b)} 09 03 796 6825 ^{c)} 09 03 796 6825 222 ^{c)f)}	09 03 296 2825 09 03 296 2825 222 ^{f)} 09 03 496 2825 ^{b)} 09 03 496 2825 222 ^{b)f)} 09 03 796 2825 ^{c)}
				09 03 296 6829 ^{d)}	
	64		09 03 264 7825	09 03 264 6825 09 03 464 6825 ^{b)} 09 03 764 6825 ^{c)}	09 03 264 2825 09 03 464 2825 ^{b)} 09 03 764 2825 ^{c)}
				09 03 264 6829 ^{d)}	
	32		09 03 232 7825	09 03 232 6825 09 03 432 6825 ^{b)}	09 03 232 2825
Female connector with kinked solder pins ¹⁾ 4.5 mm	96		09 03 296 7845	09 03 296 6845 09 03 296 6845 222 ^{f)}	09 03 296 2845
	64		09 03 264 7845	09 03 264 6845	09 03 264 2845
	32		09 03 232 7845	09 03 232 6845	09 03 232 2845
Female connector with solder pins 13 mm	96			09 03 296 6421 09 03 796 6421 ^{c)}	
	64			09 03 264 6421 09 03 764 6421 ^{c)}	
	32			09 03 232 6421 09 03 732 6421 ^{c)}	

¹⁾ Kinked pins for fixing the connector onto the pcb see chapter 00

^{b)} Connectors with snap-in clips see chapter 00

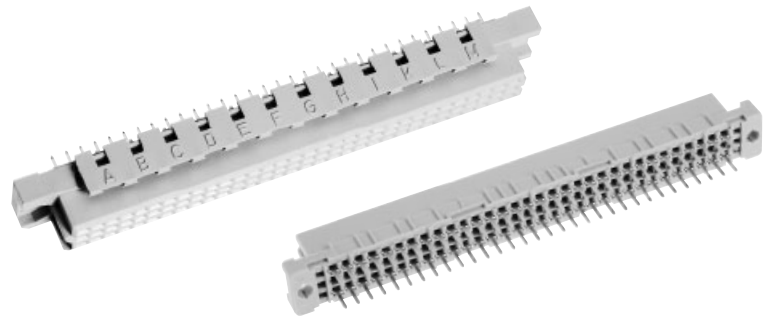
^{c)} Connectors with coding see chapter 00

^{d)} CTI > 400

^{f)} Railway classification NFF 16-101, Smoke index: F1, Flammability class: I2

Number of contacts

96, 64, 32



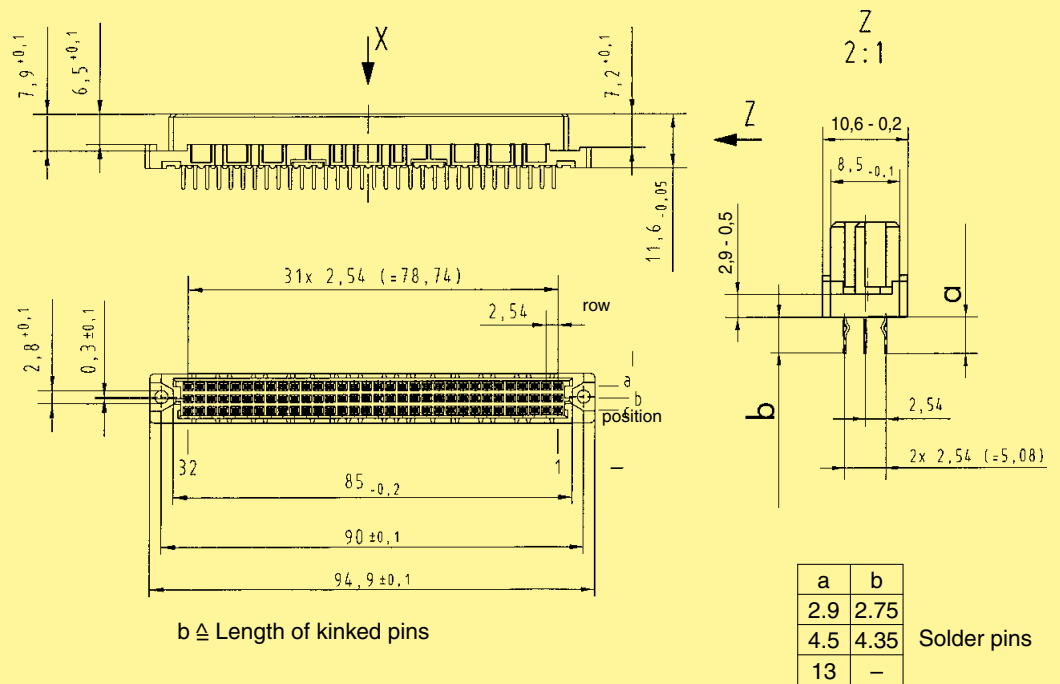
Female connectors

Identification

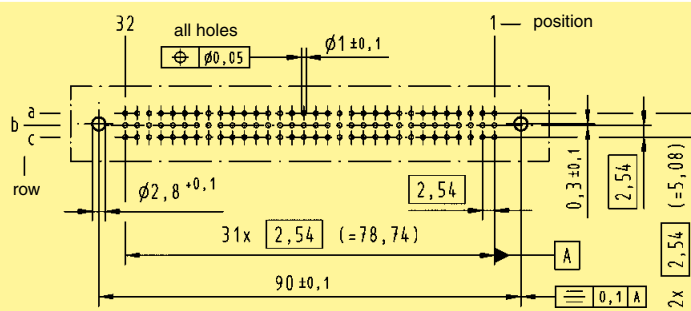
Drawing

Dimensions in mm

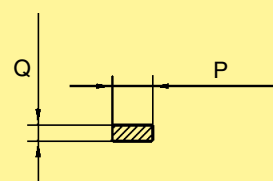
Dimensions



Board drillings
Mounting side



Cross section of
solder terminations



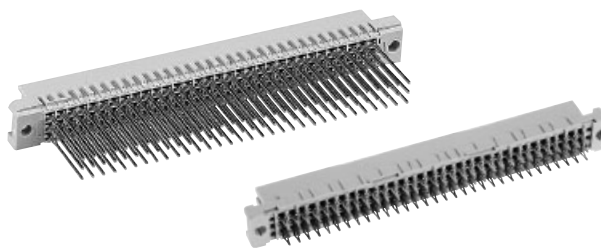
Cross area (A) of contacts

a	P	Q	A
2.9	0.75 _{-0.05}	0.30 _{±0.01}	0.20 - 0.23 mm ²
4.5	0.75 _{-0.05}	0.30 _{±0.01}	0.20 - 0.23 mm ²
13	0.60 _{-0.02}	0.60 _{-0.02}	0.33 - 0.38 mm ²

Dimensions in mm

Number of contacts

96, 64, 32

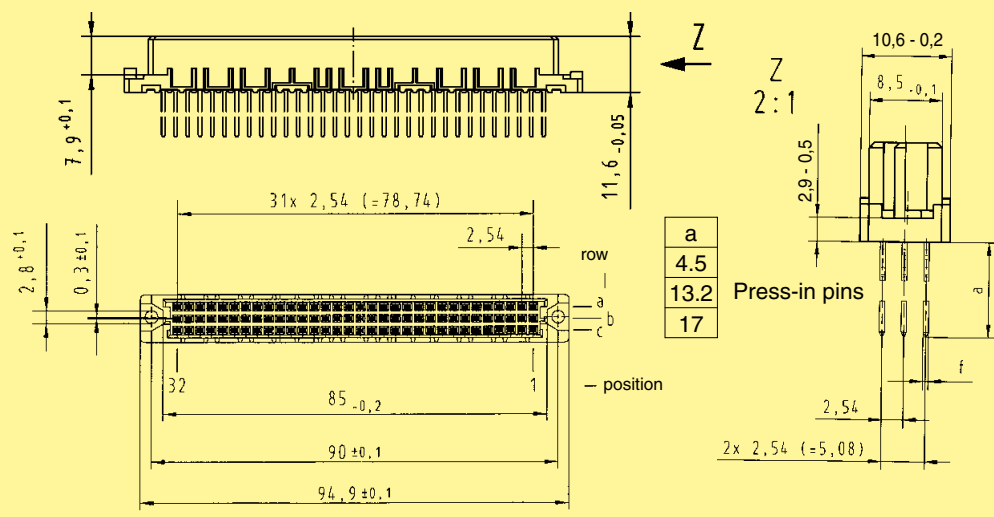


Female connectors

DIN Signal up to 2 A

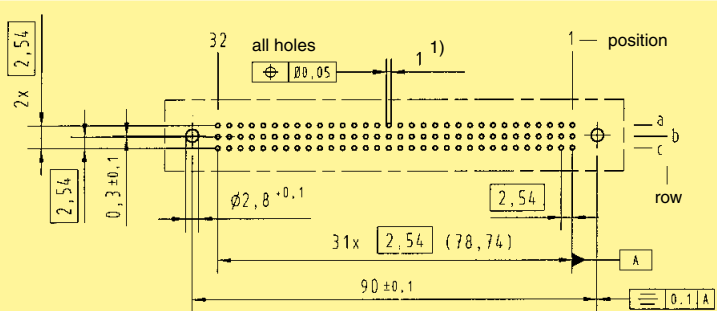
Identification	Number of contacts	Contact arrangement	Part No. Performance levels according to IEC 60 603-2. Explanation chapter 00		
			3	2	1
Female connector Type C with press-in terminations	4.5 mm		09 03 296 7850	09 03 296 6850 09 03 296 6850 222 ^{f)} 09 03 796 6850 ^{c)} 09 03 796 6850 222 ^{c)f)}	09 03 296 2850 09 03 296 2850 222 ^{f)}
			09 03 264 7850	09 03 264 6850 09 03 264 6850 222 ^{f)} 09 03 764 6850 ^{c)}	09 03 264 2850
				09 03 232 6850	09 03 232 2850
	13.2 mm			09 03 296 6851 ^{w)} 09 03 296 6861* 09 03 796 6861 ^{c)}	09 03 296 2861*
				09 03 264 6851 ^{w)} 09 03 264 6861*	
	17 mm			09 03 296 6852 ^{w)} 09 03 296 6862* 09 03 796 6862 ^{c)}	09 03 296 2852
				09 03 264 6852 09 03 264 6862*	

Dimensions



Board drillings

Mounting side



Dimensions in mm

* Wrap posts for interfacing selectively gold plated (performance level 3)

¹⁾ refer to recommended configuration of pcb holes, see page 00.25

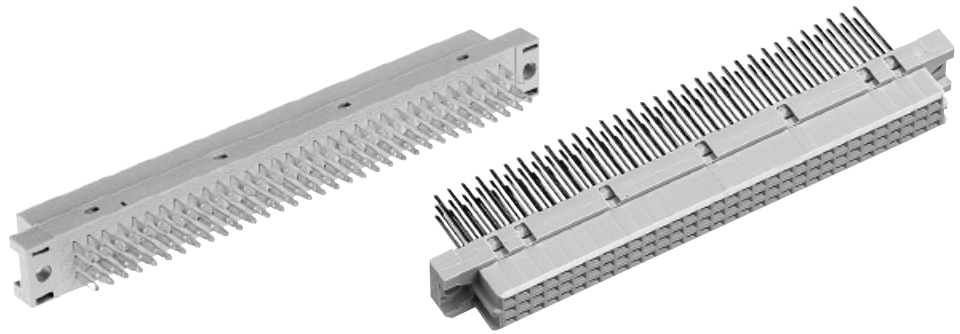
^{c)} Connectors with coding see chapter 00

^{f)} Railway classification NFF 16-101, Smoke index: F1, Flammability class: I2

^{w)} Wrap posts not for interfacing, no performance level

Number of contacts

96, 64

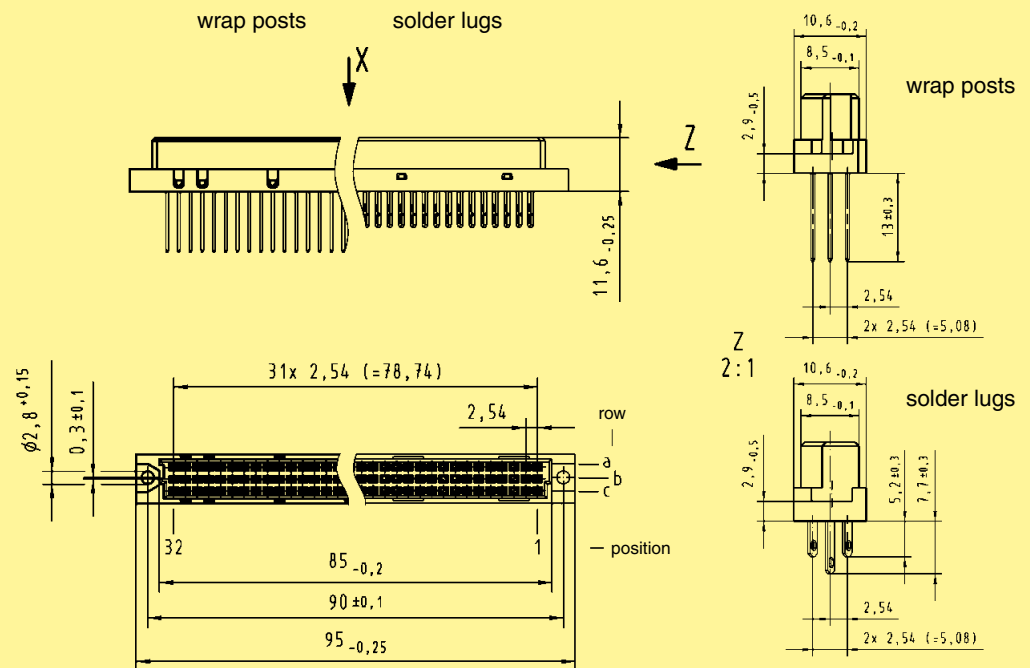


Female connectors

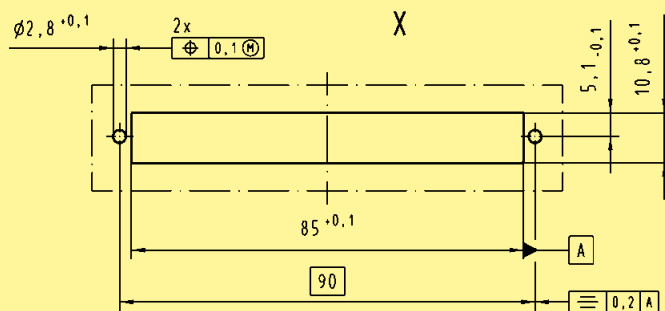
Identification	Number of contacts	Contact arrangement	Part No.	Performance levels according to IEC 60603-2. Explanation chapter 00 2
Female connector with wrap posts ²⁾ 13 mm	96			09 03 296 6821 09 03 796 6821 ^{c)} 09 03 296 6878 ¹⁾
	64			09 03 264 6821 09 03 764 6821 ^{c)} 09 03 264 6878 ¹⁾
Female connector with solder lugs a + c 5.2 mm b 7.7 mm	96			09 03 296 6823 09 03 796 6823 ^{c)}
	64			09 03 264 6823 09 03 764 6823 ^{c)}

DIN Signal up to 2 A

Dimensions



Panel cut out



Identification strips for female connectors with wrap posts
09 03 000 9939

Dimensions in mm

¹⁾ Wrap posts for interfacing, selectively gold-plated (performance level 3)
²⁾ To be used only for wire wrap termination. Solder versions see page 01.22
^{c)} Connectors with coding see chapter 00

Number of contacts

64



Female connectors

DIN Signal up to 2 A

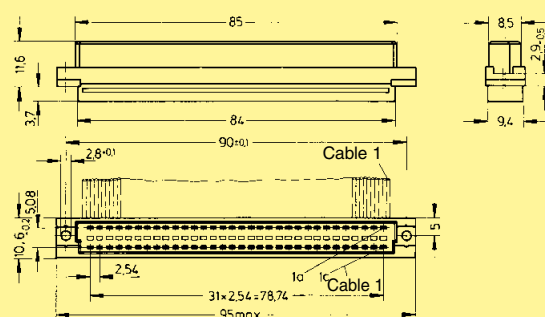
Identification	Number of contacts	Part No.	Drawing	Dimensions in mm
----------------	--------------------	----------	---------	------------------

Female connector for insulation displacement

64

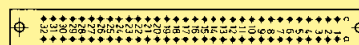
Performance level 2¹⁾
09 03 264 6828
09 03 764 6828^{c)}

Performance level 3¹⁾
09 03 264 7828



Cable 1 to contact 1 c

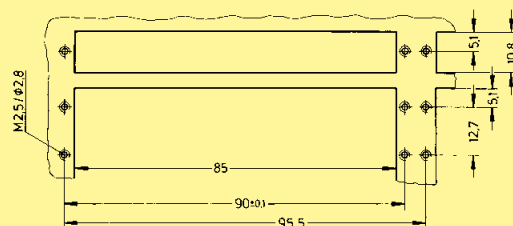
Contact arrangement View from termination side



Strain relief (metal)

09 03 000 9940

Panel cut out



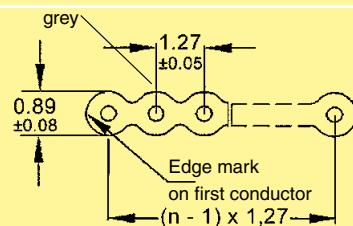
Mateable with 3 row male connector type C, no female contacts in the middle row

Flat cable
AWG 28/7

grey	30.48 m	64
grey	100.00 m	64
colour coded	30.48 m	64
twisted pair ²⁾	30.48 m	64

64
64
64
64

09 18 064 7001
09 18 064 7004
09 18 064 7005
09 18 064 7006



²⁾ Termination area spacing = 508 mm

Important: always store reels vertically

Wire (tinned) Gauge Insulation material as per UL style

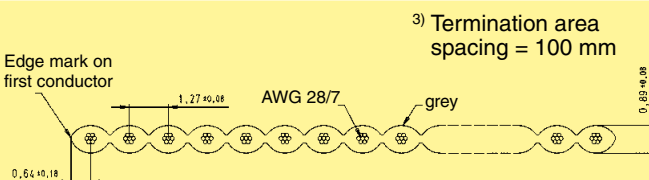
Cu AWG 28/7 0.089 mm² PVC

Round flat cable³⁾

with screening	30.48 m	64
without screening	100.00 m	64
with screening	30.48 m	64
without screening	100.00 m	64

64
64
64
64

09 18 064 7007
09 18 064 7010
09 18 064 7008
09 18 064 7011



³⁾ Termination area spacing = 100 mm

Bench press
Base plate

09 99 000 0114
09 99 000 0150

Cable cutter

09 99 000 0116

Spare parts
Blade
Cutting plate

09 99 000 0179
09 99 000 0180



Number of contacts

max. 96, 48



Female connectors

DIN Signal up to 2 A

Identification	Number of contacts	Part No.	Drawing	Dimensions in mm																	
Female connector for crimp contacts Order contacts separately																					
Type C	96	09 03 096 3214 ^{d)} 09 03 596 3214 ^{e)}																			
Type C	96	09 03 096 3217 ^{d)}																			
Position marking turned for mating type R male																					
Type 2C	48	09 23 048 3214 ^{d)}																			
Type 2C	48	09 23 048 3217 ^{d)}																			
Position marking turned for mating type 2R male																					
			<table border="1"> <thead> <tr> <th></th> <th>a</th> <th>b</th> <th>c</th> <th>d</th> <th>e</th> </tr> </thead> <tbody> <tr> <td>C</td> <td>84.93 ± 0.07</td> <td>83.95 ± 0.05</td> <td>31 x 2.54 (= 78.74)</td> <td>90.00 ± 0.1</td> <td>94.80 ± 0.1</td> </tr> <tr> <td>2C</td> <td>44.35 ± 0.05</td> <td>43.85 ± 0.05</td> <td>15 x 2.54 (= 38.1)</td> <td>49.68 ± 0.1</td> <td>54.80 ± 0.1</td> </tr> </tbody> </table>		a	b	c	d	e	C	84.93 ± 0.07	83.95 ± 0.05	31 x 2.54 (= 78.74)	90.00 ± 0.1	94.80 ± 0.1	2C	44.35 ± 0.05	43.85 ± 0.05	15 x 2.54 (= 38.1)	49.68 ± 0.1	54.80 ± 0.1
	a	b	c	d	e																
C	84.93 ± 0.07	83.95 ± 0.05	31 x 2.54 (= 78.74)	90.00 ± 0.1	94.80 ± 0.1																
2C	44.35 ± 0.05	43.85 ± 0.05	15 x 2.54 (= 38.1)	49.68 ± 0.1	54.80 ± 0.1																

Shell housing see chapter 20

Identification	Part No.	Performance levels according to IEC 60603-2. Explanation chapter 00
Female crimp contacts BC		2 1
Bandoliered contacts (approx. 5,000 pieces)	09 02 000 6484	09 02 000 6474
Bandoliered contacts (approx. 500 pieces)	09 02 000 8434	09 02 000 8444
Individual contacts ¹⁾	09 02 000 8484	09 02 000 8474
	Wire gauge mm ² AWG Insulation ø mm 0.09 - 0.5 28 - 20 0.7 - 1.5	<p>Bandoliered contacts</p> <p>Individual contacts</p>
	3.5 + 0.5 mm of insulation is stripped from the wires to be crimped For the fabrication in line with the specification please use exclusively crimp tools approved by HARTING (see DIN EN 60352-2) Insertion, removal and crimping tools see chapter 30	

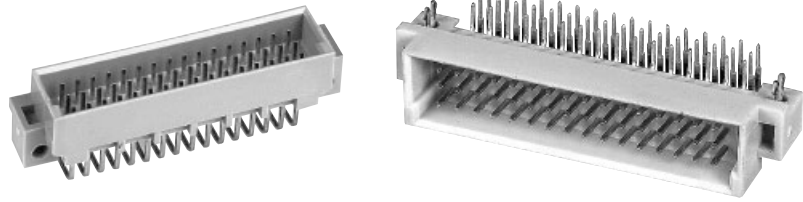
^{d)} Connectors with coding see chapter 00

¹⁾ Packaging unit 1,000 pieces

^{f)} Railway classification NFF 16-101, Smoke index: F1, Flammability class: I2

Number of contacts

48, 32, 16



Male connectors

DIN Signal up to 2 A

Identification	Number of contacts	Contact arrangement	Part No.	Performance levels according to IEC 60603-2. Explanation chapter 00		
				3	2	1
Male connector with angled solder pins	48		09 23 148 7921	09 23 148 6921	09 23 148 2921	
			09 23 348 7921 ^{b)}	09 23 148 6921 222 ^{f)}	09 23 348 2921 ^{b)}	
	SMC	48		09 23 148 7919	09 23 148 6919 ^{d)}	
					09 23 348 6919 ^{b)d)}	
	SMC	32		09 23 132 7921	09 23 132 6921	09 23 132 2921
				09 23 332 7921 ^{b)}	09 23 332 6921 ^{b)}	09 23 332 2921 ^{b)}
SMC	32			09 23 132 6919 ^{d)}		
				09 23 332 6919 ^{b)d)}		
SMC	16			09 23 116 6931	09 23 116 2931	
				09 23 316 6931 ^{b)}		
	46 + 2▲		09 23 148 7951	09 23 148 6951		
				09 23 348 6951 ^{b)}		
Male connector with straight solder pins	48		09 23 148 7922	09 23 148 6922	09 23 148 2922	
				09 23 148 6920 ^{d)}		
	SMC	48				
	SMC	32		09 23 132 7922	09 23 132 6922	09 23 132 2922
				09 23 132 6920 ^{d)}		

▲ Male connectors with 2 leading contacts [(0.8 mm) pos. a1 and a16]. Lagging pins on request.

Other contact arrangements on request

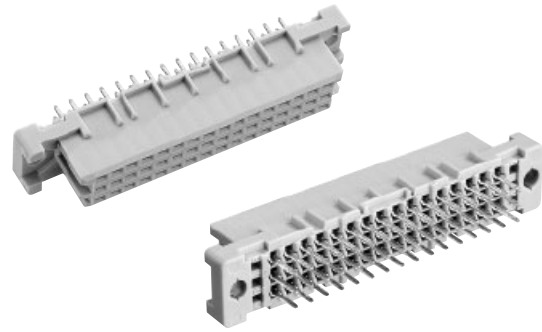
^{b)} Connectors with snap-in clips see chapter 00

^{d)} CTI > 400

^{f)} Railway classification NFF 16-101, Smoke index: F1, Flammability class: I2

Number of contacts

48, 32



Female connectors

DIN Signal
up to 2 A

Identification	Number of contacts	Contact arrangement	Part No.	Performance levels according to IEC 60603-2. Explanation chapter 00		
				3	2	1
Female connector with solder pins 2.9 mm	48			09 23 248 6824 09 23 248 6824 222 ^{f)} 09 23 448 6824 ^{b)}	09 23 248 2824	
		SMC		09 23 248 6841 ^{d)}		
	32			09 23 232 6824 09 23 432 6824 ^{b)}		
		SMC		09 23 232 6841 ^{d)}		
Female connector with solder pins 4.5 mm	48			09 23 248 6825 09 23 248 6825 222 ^{f)} 09 23 448 6825 ^{b)}	09 23 248 2825	
		SMC		09 23 248 6829 ^{d)}		
	32		09 23 232 7825	09 23 232 6825		
		SMC		09 23 232 6829 ^{d)}		
Female connector with solder pins 13 mm	48			09 23 248 6421		
Female connector with press-in pins 3.7 mm	48			09 23 248 6866		
Female connector with press-in pins 4.5 mm	48			09 23 248 6850 09 23 248 6850 222 ^{f)}	09 23 248 2850	
	32			09 23 232 6850		
Female connector with wrap posts ¹⁾ 13 mm	48			09 23 248 6821		
Female connector with solder lugs 5.2 mm	32			09 23 232 6823		
Female connector with crimp contacts	48		Part numbers and variants see page 01.27			

01
30

Other contact arrangements on request

¹⁾ To be used only for wire wrap termination

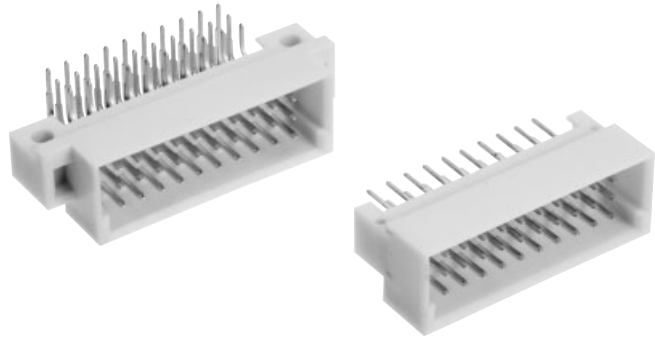
^{b)} Connectors with snap-in clips see chapter 00

^{d)} CTI > 400

^{f)} Railway classification NFF 16-101, Smoke index: F1, Flammability class: I2

Number of contacts

30, 20



Male connectors

Identification	Number of contacts	Contact arrangement	Part No.	Performance levels according to IEC 60 603-2.				
				3	2	1		
Male connector with angled solder pins								
with fixing flange	30		Performance level 3 on request	Performance level 2	Performance level 1	09 25 130 6921 09 25 330 6921 ^{b)}		
	20					09 25 120 6921		
with fixing flange, SMC	30					09 25 130 6919 ^{d)}		
without fixing flange	30					09 25 130 6571		
without fixing flange, SMC	30					09 25 130 6579 ^{d)}		
Male connector with straight solder pins								
with fixing flange	30					09 25 130 6922		
	20					09 25 120 6922		
without fixing flange	30					09 25 130 6572		
without fixing flange, SMC	30					09 25 130 6590 ^{d)}		

DIN Signal up to 2 A

Other contact arrangements on request

^{b)} Connectors with snap-in clips see chapter 00

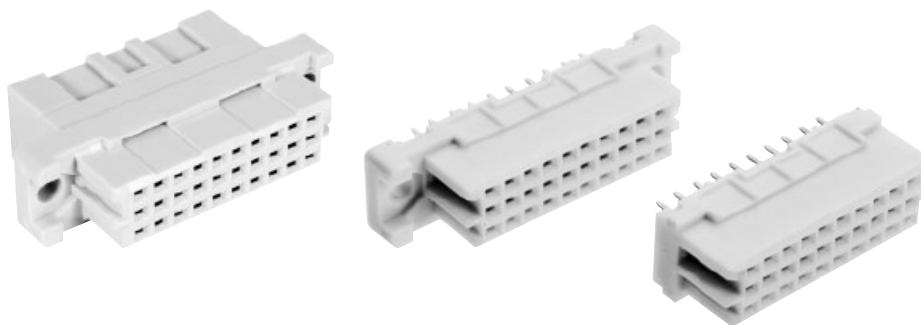
^{d)} CTI > 400

DIN 41 612 · complementary type 3C



Number of contacts

30, 20



Female connectors

DIN Signal up to 2 A

Identification	Number of contacts	Contact arrangement	Part No.	Performance levels according to IEC 60 603-2.		
			3	2	1	
Female connector with solder pins 2.9 mm						
with fixing flange	30			09 25 230 6824		
	20			09 25 220 6824		
with fixing flange, SMC	30			09 25 230 6841 ^{d)}		
without fixing flange, SMC	30			09 25 230 6414 ^{d)}		
Female connector with solder pins 4.5 mm			Performance level 3 on request		Performance level 1 on request	
with fixing flange	30			09 25 230 6825		
	20			09 25 220 6825		
Female connector with press-in pins 4.5 mm						
with fixing flange	30			09 25 230 6850		
without fixing flange	30			09 25 230 6870		

Identification	Number of contacts	Part No.	Drawing	Dimensions in mm
Female connector for crimp contacts				
Order contacts separately see page 01.27				
Type 3C	30	09 25 030 3214 ^{f)}		
Type 3C	30	09 25 030 3217		
Position marking turned for mating type 3R male				

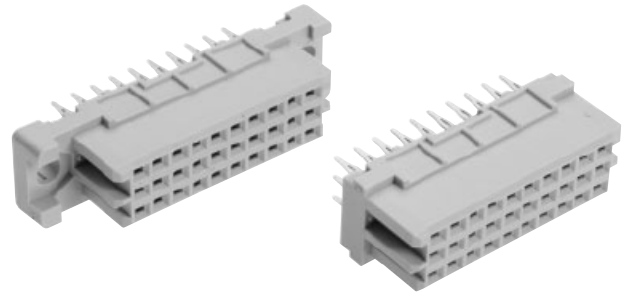
01.34

^{d)} CTI > 400

^{f)} Railway classification NFF 16-101, Smoke index: F1, Flammability class: I2

Number of contacts

30, 20



Female connectors

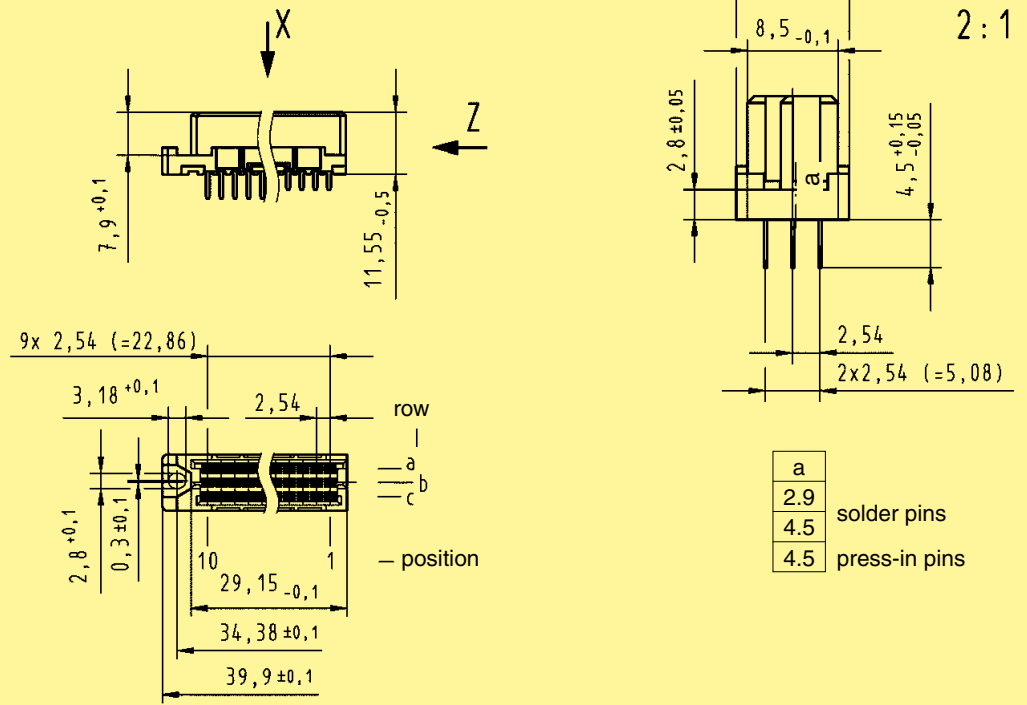
Identification

Drawing

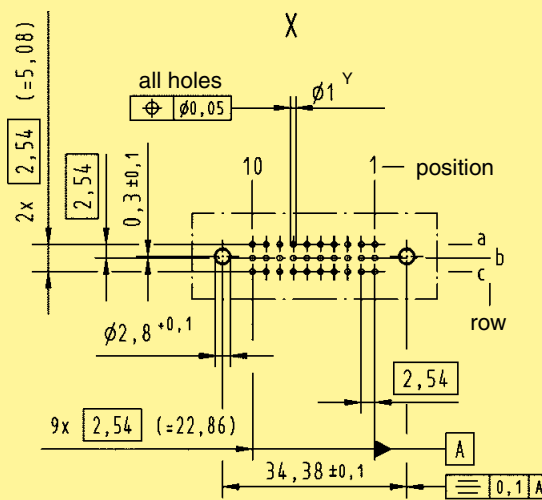
Dimensions in mm

Dimensions

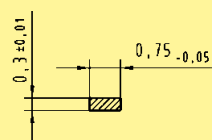
with fixing flange without fixing flange



Board drillings
Mounting side



Cross section of solder terminations



Cross area (A) of contacts row a, b, c: A = 0.20 - 0.23 mm²

DIN Signal
up to 2 A

Application matrix				Board to Backplane			Mezzanine	
				1.	2.	3.	4.	5.
<ul style="list-style-type: none"> • Coax Contacts • High Voltage Contacts • FOC- Contacts 				M male & M female	M male & M flat female	MH 21+ 5 male & MH 21+ 5 female	M invers male & M female	M invers male & M flat female
Connector	Part number							
Male connector type M angled	09 03 1XX X901			○	○			
Female connector type M straight	09 03 2XX 6804			◇			◇	
Female connector type M straight	09 03 2XX 6805			◇			◇	
Female connector type M straight	09 03 2XX 6850			◇			◇	
Female connector type M flat	09 03 2XX 6864				◇			◇
Female connector type M flat	09 03 2XX 6865				◇			◇
Female connector type M flat	09 03 2XX 6830				◇			◇
Male connector type MH 21+5	09 06 X21 6883					○		
Female connector type MH 21+5	09 06 121 6981					◇		
Male connector type M invers	09 73 1XX 6902						○	○
Male connector type M invers	09 73 1XX 6903						○	○
Male connector type M invers	09 73 1XX 6904						○	○
Male connector type M invers	09 73 1XX 6907						○	○
Male connector type M invers	09 73 1XX 6974						○	○
Male connector type M invers	09 73 1XX 6991						○	○
Impedance	Termination		Part number					
50 Ω	cable	solder/crimp	09 03 000 6160	◆		◆	◆	
50 Ω	cable	solder/crimp	09 03 000 6161	◆		◆	◆	
50 Ω	pcb	solder	09 03 000 6165	◆		◆	◆	
75 Ω	cable	solder/crimp	09 03 000 6181	◆	◆	◆	◆	
50 Ω	pcb	solder	09 03 000 6182		◆			◆
50 Ω	cable	solder/crimp	09 03 000 6260	●	●	●	●	●
50 Ω	cable	solder/crimp	09 03 000 6261	●	●	●	●	●
50 Ω	pcb	solder	09 03 000 6262	●	●	●	●	●
50 Ω	pcb	solder	09 03 000 6263	●	●	●	●	●
50 Ω	pcb	solder	09 03 000 6265	●		●	●	●
75 Ω	pcb	solder	09 03 000 6269	●	●	●	●	●
50 Ω	cable	solder/crimp	09 03 000 6274	●	●	●	●	●
75 Ω	cable	solder/crimp	09 03 000 6281	●		●	●	
High voltage 1.5 KV	09 03 000 6140			●		●	●	
	09 03 000 6240			◆		◆	◆	
FOC ceramic ferrule*	20 10 125 4212			●		●	●	
	20 10 125 4222			◆		◆	◆	
FOC for SI-fibre (HCS)*	20 10 230 4211			●		●	●	
	20 10 230 4221			◆		◆	◆	
FOC for 1 mm (POF)*	20 10 001 4211			●		●	●	
	20 10 001 4221			◆		◆	◆	

● = can be used in ○ male connector

○ = male connector for ● contacts

◆ = can be used in ◇ female connector

◇ = female connector for ◆ contacts

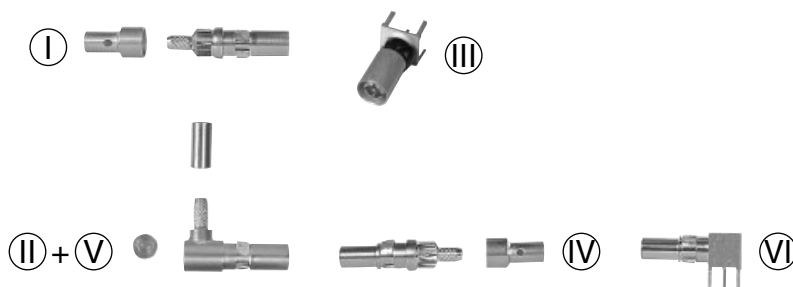
* details see catalogue Industrial Connectors Han®

Application matrix • High Power Contacts					Board to Backplane			Mezzanine	
					1. M male & M female	2. M male & M flat female	3. MH 21+ 5 male & MH 21+ 5 female	4. M invers male & M female	5. M invers male & M flat female
Connector	Part number								
Male connector type M angled	09 03 1XX X901				○	○			
Female connector type M straight	09 03 2XX 6804				◇			◇	
Female connector type M straight	09 03 2XX 6805				◇			◇	
Female connector type M straight	09 03 2XX 6850				◇			◇	
Female connector type M flat	09 03 2XX 6864					◇			◇
Female connector type M flat	09 03 2XX 6865					◇			◇
Female connector type M flat	09 03 2XX 6830					◇			◇
Male connector type MH 21+5	09 06 X21 6883						○		
Female connector type MH 21+5	09 06 121 6981						◇		
Male connector type M invers	09 73 1XX 6902							○	○
Male connector type M invers	09 73 1XX 6903							○	○
Male connector type M invers	09 73 1XX 6904							○	○
Male connector type M invers	09 73 1XX 6907							○	○
Male connector type M invers	09 73 1XX 6974							○	○
Male connector type M invers	09 73 1XX 6991							○	○
Currency	Termination	Preleading	Part number						
10 A	cable	solder	–	09 03 000 6101	●	●	●	●	●
20 A	cable	solder	–	09 03 000 6102	●	●	●	●	●
40 A	cable	solder	–	09 03 000 6103	●	●	●	●	●
40 A	pcb	solder	–	09 03 000 6104	●	●	●		
40 A	pcb	solder	–	09 03 000 6110	●	●	●		
10 A	cable	crimp	–	09 03 000 6113	●	●	●	●	●
20 A	cable	crimp	–	09 03 000 6114	●	●	●	●	●
40 A	cable	crimp	–	09 03 000 6115	●	●	●	●	●
40 A	pcb	solder	–	09 03 000 6127*	●	●	●		
40 A	pcb	solder	1.8	09 03 000 6128*	●	●	●		
40 A	cable	solder	0.8	09 03 000 6133	●	●	●	●	●
40 A	pcb	solder	0.6	09 03 000 6134	●	●	●		
40 A	pcb	solder	–	09 03 000 6135				●	●
10 A	cable	solder	–	09 03 000 6201	◆			◆	
20 A	cable	solder	–	09 03 000 6202	◆			◆	
40 A	cable	solder	–	09 03 000 6203	◆			◆	
10 A	cable	crimp	–	09 03 000 6213	◆			◆	
20 A	cable	crimp	–	09 03 000 6214	◆			◆	
40 A	cable	crimp	–	09 03 000 6215	◆			◆	
20 A	cable	crimp	–	09 03 000 6220*	◆			◆	
40 A	pcb	solder	–	09 03 000 6225		◆			◆
40 A	busbar	screw	–	09 03 000 6245		◆	◆	◆	
40 A	pcb	press-in	–	09 03 000 6250		◆			◆

DIN Signal up to 2 A

● = can be used in ○ male connector
 ○ = male connector for ● contacts
 * see also chapter 04

◆ = can be used in ◇ female connector
 ◇ = female connector for ◆ contacts



Coaxial contacts

DIN Signal up to 2 A

Identification	Part No. Performance level 1	Drawing	Dimensions in mm
----------------	---------------------------------	---------	------------------

Male coaxial contacts for female connectors

Ⓘ for straight solder and/or crimp termination

acc. to DIN 41 626

09 03 000 6160
09 03 000 6181¹⁾

Ⓙ for angled solder and/or crimp termination

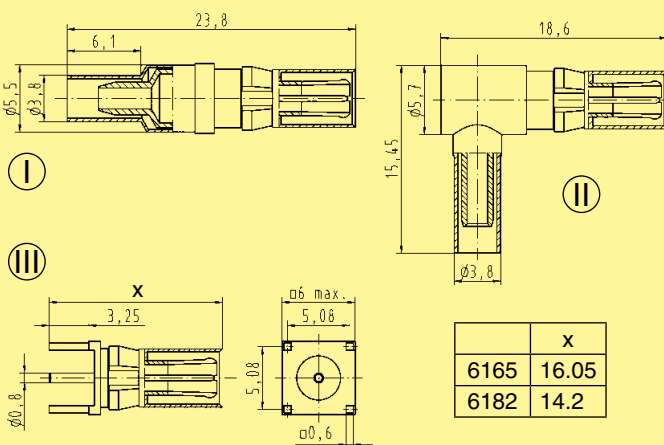
09 03 000 6161

Ⓚ for straight pcb termination for type M-flat

09 03 000 6182

for type M

09 03 000 6165



Female coaxial contacts for male connectors

Ⓛ for straight solder and/or crimp termination

09 03 000 6260
09 03 000 6281¹⁾
09 03 000 6274²⁾

Ⓜ for angled solder and/or crimp termination

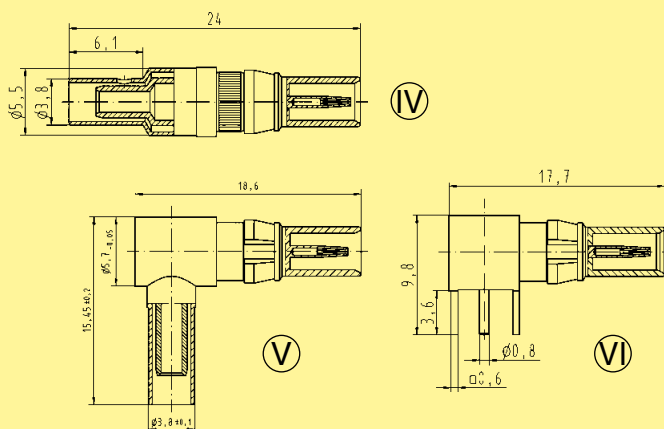
09 03 000 6261

Ⓨ for angled for pcb termination

09 03 000 6262
09 03 000 6269¹⁾
09 03 000 6263²⁾

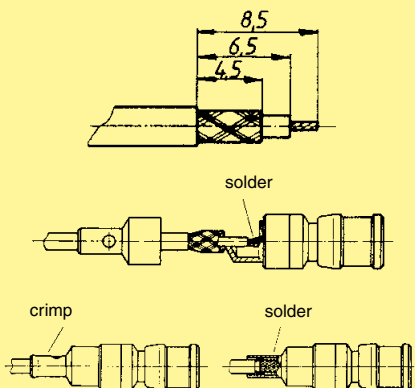
straight for pcb termination for type M inverse

09 03 000 6265



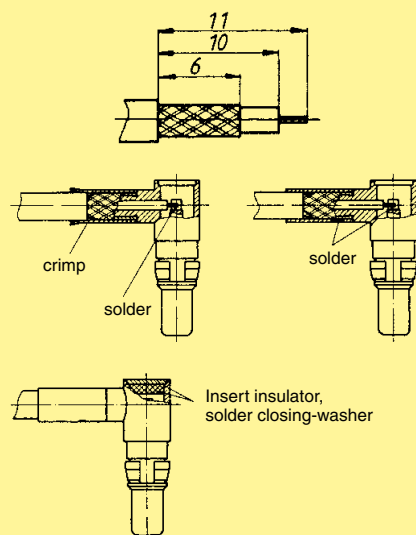
Assembly instruction for contacts

Ⓘ and Ⓛ



for contacts

Ⓙ and Ⓜ



¹⁾ Coaxial contact 75 Ω
²⁾ With knurled area for permanent fixing, not removable
Fibre optic contacts on request



High voltage contacts

Identification	Part No. Performance level 1	Drawing	Dimensions in mm
I High voltage male contact for male connectors ²⁾ for straight solder termination 2.8 kV	acc. to DIN 41 626 09 03 000 6140		
II High voltage female contact for female connectors ²⁾ for straight solder termination 2.8 kV	09 03 000 6240		
III Crimping tool for coaxial contacts	09 99 000 0194		
Crimping tool for high current contacts	09 99 000 0196		
III Removal tool incl. removal jacket for contact replacement in male and female connectors	09 99 000 0174		
Replacement removal jacket	09 99 000 0243		
IV Removal tool for contact replacement in male connectors	09 99 000 0328		

Electrical characteristics of coaxial contacts and wires

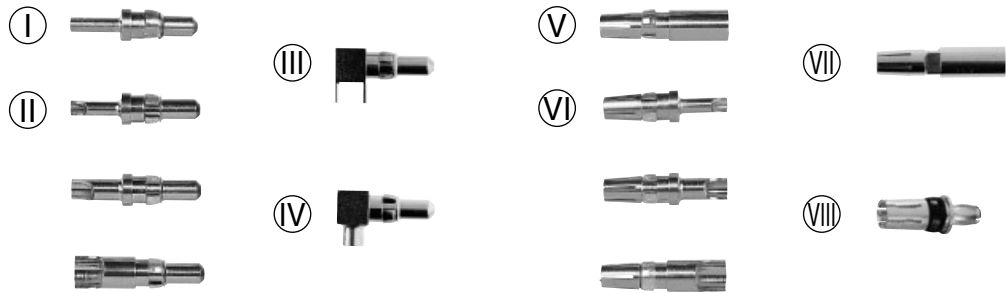
	50 Ω	75 Ω
Impedance	50 Ω	75 Ω
Max. working frequency	0 up to 10 GHz	0 up to 1.5 GHz
Return loss	≥ 20 dB up to 6 GHz	≥ 20 dB
RF-leakage	≥ 80 dB up to 0.5 GHz ≥ 68 dB up to 1.5 GHz	
Test voltage	750 V _{rms}	
Working voltage	250 V _{max.}	
Insulation resistance	≥ 1 GΩ	≥ 200 MΩ
Contacts resistance – Center contact	≤ 10 mΩ	
– Outer contact	≤ 3 mΩ	
Contact current max.	1.5 A	
Admissible power (depends on: frequency, application, return loss, environmental characteristics)	Data on request	

Cable group 2 flexible wires	Impedance	Shell ø	Screening ø	Dielectric ø	Internal wire ø	Hexagonal crimp Spanner width
RG 174 A/U	50 Ω	2.5	2.0	1.5	0.48	3.25
RG 188 A/U	50 Ω	2.6	2.0	1.5	0.54	3.25
RG 316 U	50 Ω	2.5	2.0	1.5	0.54	3.25
RG 179 B/U	75 Ω	2.54	2.0	1.6	0.3	3.25

¹⁾ Contact resistance max. 1.5 mΩ

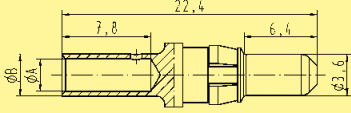
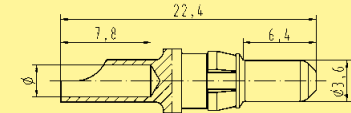
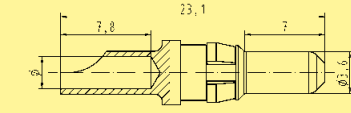
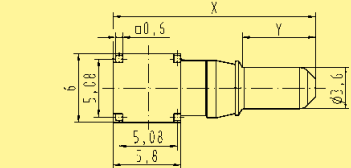
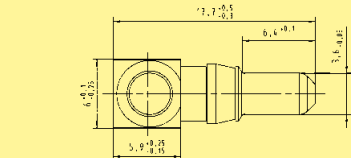
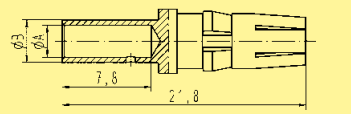
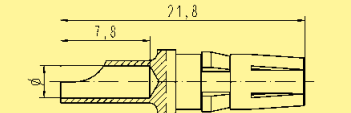
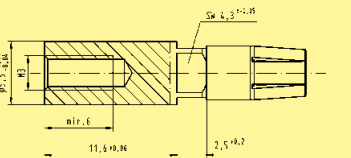
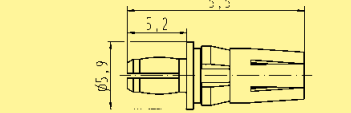
²⁾ Contact resistance internal wire max. 3 mΩ

DIN 41 612 · Special contacts type M



High current contacts

DIN Signal up to 2 A

Identification	Part No. Performance level 1	Drawing	Dimensions in mm																				
High current male contacts for male connectors¹⁾																							
I for straight crimp termination	10 A 20 A 40 A	09 03 000 6113 09 03 000 6114 09 03 000 6115	 <table border="1"> <thead> <tr> <th></th> <th>ø A</th> <th>ø B</th> <th>wire gauge [mm²]</th> <th>AWG</th> </tr> </thead> <tbody> <tr> <td>10 A</td> <td>1.85</td> <td>2.55</td> <td>1.5</td> <td>16</td> </tr> <tr> <td>20 A</td> <td>2.85</td> <td>3.70</td> <td>4</td> <td>12</td> </tr> <tr> <td>40 A</td> <td>4.40</td> <td>5.60</td> <td>10</td> <td>8</td> </tr> </tbody> </table>		ø A	ø B	wire gauge [mm ²]	AWG	10 A	1.85	2.55	1.5	16	20 A	2.85	3.70	4	12	40 A	4.40	5.60	10	8
	ø A	ø B	wire gauge [mm ²]	AWG																			
10 A	1.85	2.55	1.5	16																			
20 A	2.85	3.70	4	12																			
40 A	4.40	5.60	10	8																			
II for straight solder termination	10 A 20 A 40 A	09 03 000 6101 09 03 000 6102 09 03 000 6103	 <table border="1"> <thead> <tr> <th></th> <th>ø</th> </tr> </thead> <tbody> <tr> <td>10 A</td> <td>1.7</td> </tr> <tr> <td>20 A</td> <td>2.8</td> </tr> <tr> <td>40 A</td> <td>4.8</td> </tr> </tbody> </table>		ø	10 A	1.7	20 A	2.8	40 A	4.8												
	ø																						
10 A	1.7																						
20 A	2.8																						
40 A	4.8																						
Leading contact	40 A	09 03 000 6133																					
III for angled pcb termination	max. 40 A*	09 03 000 6104	 <table border="1"> <thead> <tr> <th></th> <th>x</th> <th>y</th> </tr> </thead> <tbody> <tr> <td>... 6104</td> <td>17.7</td> <td>6.4</td> </tr> <tr> <td>... 6134</td> <td>18.4</td> <td>7.0</td> </tr> </tbody> </table>		x	y	... 6104	17.7	6.4	... 6134	18.4	7.0											
	x	y																					
... 6104	17.7	6.4																					
... 6134	18.4	7.0																					
Leading contact	max. 40 A*	09 03 000 6134																					
IV for straight pcb termination	max. 40 A* max. 40 A*	09 03 000 6110 09 03 000 6135																					
* depending on the pcb design																							
High current female contacts for female connectors¹⁾																							
V for straight crimp termination	10 A 20 A 40 A	09 03 000 6213 09 03 000 6214 09 03 000 6215	 <table border="1"> <thead> <tr> <th></th> <th>ø A</th> <th>ø B</th> <th>wire gauge [mm²]</th> <th>AWG</th> </tr> </thead> <tbody> <tr> <td>10 A</td> <td>1.85</td> <td>2.55</td> <td>1.5</td> <td>16</td> </tr> <tr> <td>20 A</td> <td>2.80</td> <td>3.70</td> <td>4</td> <td>12</td> </tr> <tr> <td>40 A</td> <td>4.40</td> <td>5.60</td> <td>10</td> <td>8</td> </tr> </tbody> </table>		ø A	ø B	wire gauge [mm ²]	AWG	10 A	1.85	2.55	1.5	16	20 A	2.80	3.70	4	12	40 A	4.40	5.60	10	8
	ø A	ø B	wire gauge [mm ²]	AWG																			
10 A	1.85	2.55	1.5	16																			
20 A	2.80	3.70	4	12																			
40 A	4.40	5.60	10	8																			
VI for straight solder termination	10 A 20 A 40 A	09 03 000 6201 09 03 000 6202 09 03 000 6203	 <table border="1"> <thead> <tr> <th></th> <th>ø</th> </tr> </thead> <tbody> <tr> <td>10 A</td> <td>1.7</td> </tr> <tr> <td>20 A</td> <td>2.8</td> </tr> <tr> <td>40 A</td> <td>4.8</td> </tr> </tbody> </table>		ø	10 A	1.7	20 A	2.8	40 A	4.8												
	ø																						
10 A	1.7																						
20 A	2.8																						
40 A	4.8																						
VII for screw fixing on busbar	40 A	09 03 000 6245																					
VIII for type M-flat for press-in termination	40 A	09 03 000 6250																					
for solder termination	40 A	09 03 000 6225																					

¹⁾ Contact resistance max. 1.5 mΩ

²⁾ Contact resistance internal wire max. 3 mΩ

Number of contacts

78+2, 60+4, 42+6, 24+8

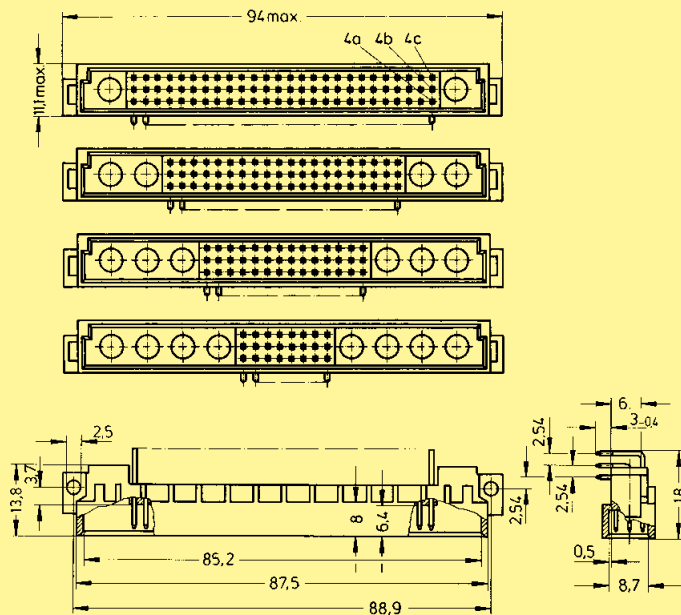


Male connectors

Identification	Number of contacts	Contact arrangement	Part No.	Performance levels according to IEC 60603-2. Explanation chapter 00		
				3	2	1
Male connector with angled solder pins (without special contacts)*	78 + 2		09 03 178 7901	09 03 178 6901 09 03 178 6901 222 ^{f)} 09 03 378 6901 ^{b)}	09 03 178 2901 09 03 378 2901 ^{b)}	
	60 + 4		09 03 160 7901	09 03 160 6901	09 03 160 2901	
	42 + 6		09 03 142 7901	09 03 142 6901	09 03 142 2901	
	24 + 8		09 03 124 7901	09 03 124 6901 09 03 124 6901 222 ^{f)}	09 03 124 2901	

DIN Signal up to 2 A

Dimensions

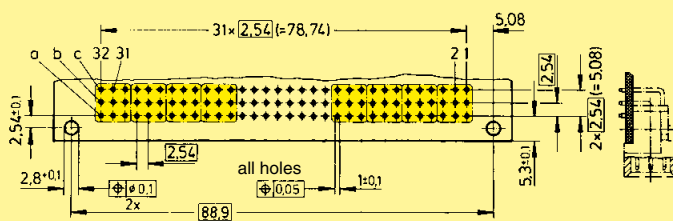


Angled solder pins

Order high current, high voltage, coaxial and fibre optic contacts separately, see pages 01.38 ff

Board drillings

Mounting side



Board drillings depend on type and special contact loading

Dimensions in mm

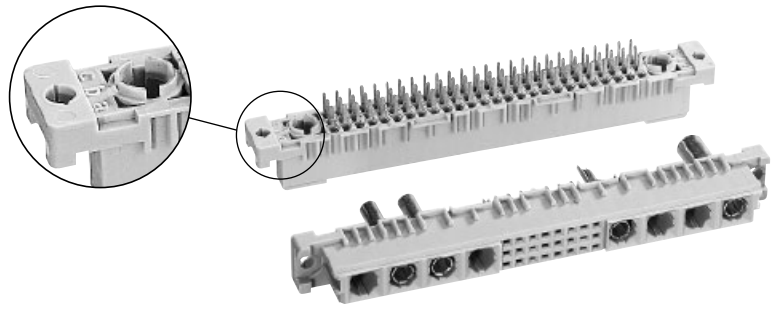
* Pre-loaded with special contacts on request

^{b)} Connectors with snap-in clips see chapter 00

^{f)} Railway classification NFF 16-101, Smoke index: F1, Flammability class: I2

Number of contacts

**78+2, 60+4,
42+6, 24+8**

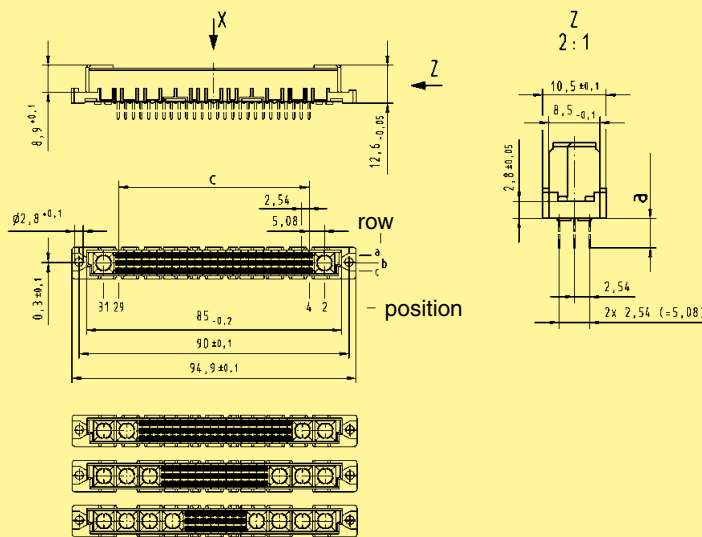


Female connectors

DIN Signal
up to 2 A

Identification	Number of contacts	Contact arrangement	Part No.	Performance levels according to IEC 60603-2. Explanation chapter 00	
			3	2 1	
Female connector with solder pins 2.9 mm (without special contacts)	78 + 2		Performance level 3 on request	09 03 278 6804	
	60 + 4			09 03 260 6804	
	42 + 6			09 03 242 6804	
	24 + 8			09 03 224 6804	
Female connector with solder pins 4.5 mm (without special contacts)	78 + 2			09 03 278 6805	
	60 + 4			09 03 278 6805 222 ^{f)}	
	42 + 6			09 03 260 6805	
	24 + 8			09 03 242 6805	
Female connector with press-in pins 4.5 mm (without special contacts)	78 + 2			09 03 278 6850	09 03 278 2850
	60 + 4			09 03 260 6850	
	42 + 6			09 03 242 6850	
	24 + 8			09 03 224 6850	

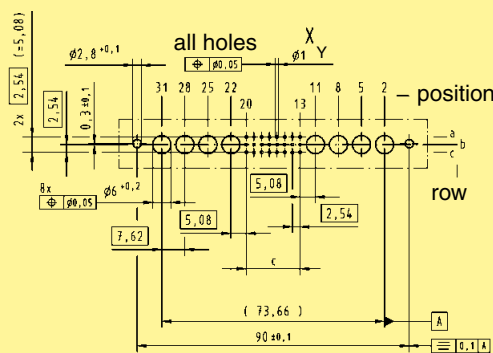
Dimensions



Order high current, high voltage, coaxial and fibre optic contacts separately, see pages 01.38 ff

Board drillings

Mounting side



	Y
Solder	1 ± 0.1
Press-in	see recommendation page 00.25

Type	c
78 + 2	25 x 2.54 = 63.5
60 + 4	19 x 2.54 = 48.26
42 + 6	13 x 2.54 = 33.02
24 + 8	7 x 2.54 = 17.78

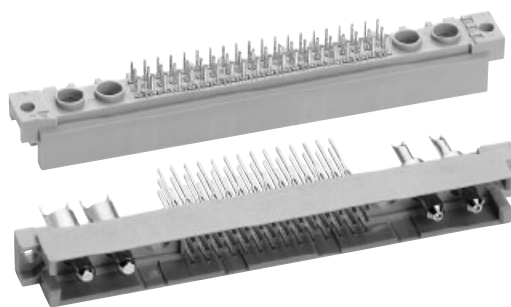
Dimensions in mm

Other contact arrangements on request

^{f)} Railway classification NFF 16-101, Smoke index: F1, Flammability class: I2

Number of contacts

78+2, 60+4, 42+6, 24+8



Male connectors

DIN Signal
up to 2 A

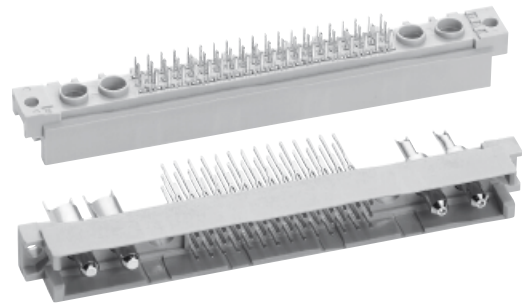
Identification	Number of contacts	Contact arrangement	Part No.	Performance levels according to IEC 60603-2. Explanation chapter 00		
				3	2	1
Male connector with solder pins 2.5 mm	78 + 2		Performance level 3 on request	Performance level 1 on request		
	60 + 4					
	42 + 6					
	24 + 8					
Male connector with solder pins 4.0 mm	78 + 2					
	60 + 4					
	42 + 6					
	24 + 8					
Male connector with solder pins 6.0 mm	78 + 2					
	60 + 4					
	42 + 6					
	24 + 8					
Male connector with wrap posts 13 mm	78 + 2					
	60 + 4					
	42 + 6					
	24 + 8					
Male connector with press-in pins 13 mm (5.0 mm on request)	78 + 2					
	60 + 4					
	42 + 6					
	24 + 8					

Male connectors with 17 mm wrap posts on request
 ● Wrap posts for interfacing selectively gold plated (performance level 3)
 Other contact arrangements on request
 w) Wrap posts not for interfacing, no performance level

Number of contacts

78+2, 60+4, 42+6, 24+8

Male connectors

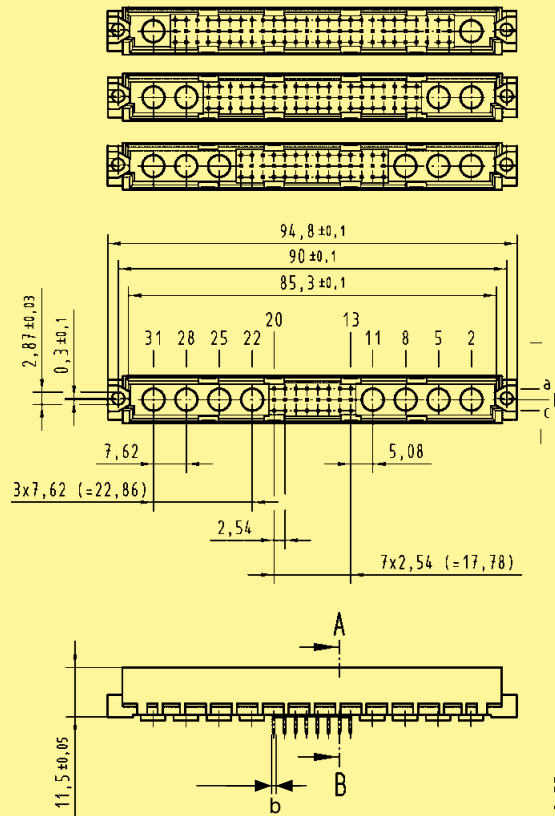


Identification

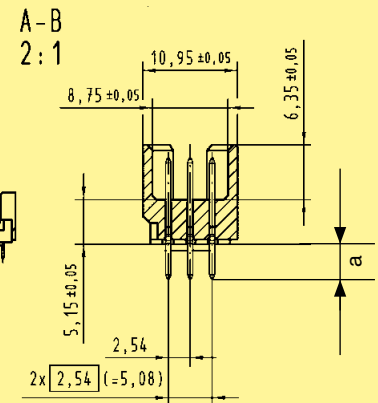
Drawing

Dimensions in mm

Dimensions



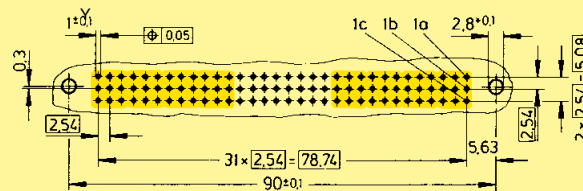
a	b	
2.5	ø 0.7	Solder pins
4.0		
6.0		
13	□ 0.6	Wrap posts
5.0	–	Press-in pins
13	–	



Order high current, high voltage, coaxial and fibre optic contacts separately, see pages 01.38 ff

Board drillings

Mounting side

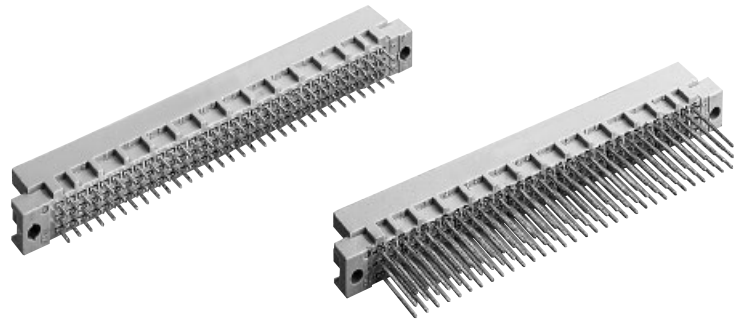


	Y
Solder	1 ± 0.1
Press-in	see recommendation page 00.25

Board drillings depend on type and special contact loading

Number of contacts

96, 64



Male connectors

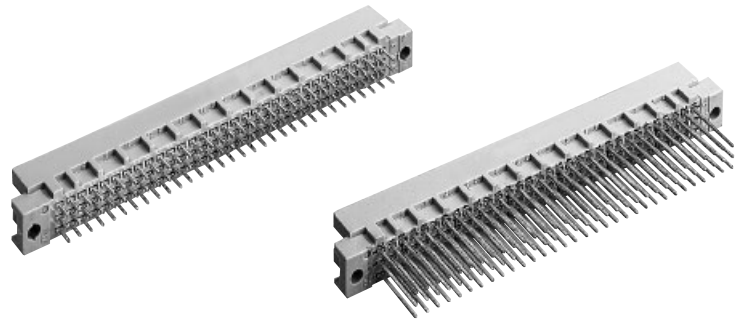
Identification	Number of contacts	Contact arrangement	Part No.	Performance levels according to IEC 60603-2. Explanation chapter 00		
				3	2	1
Male connector with solder pins 2.5 mm	96		09 73 196 7902	09 73 196 6902	09 73 196 2902	
				09 73 396 6902 ^{b)}		
	09 73 696 6902 ^{c)}					
SMC	96		09 73 164 7902	09 73 196 6519 ^{d)}	09 73 164 2902	
	64			09 73 364 6902 ^{b)}		09 73 364 2902 ^{b)}
Male connector with solder pins 4.0 mm	96		09 73 196 7903	09 73 196 6903	09 73 196 2903	
				09 73 196 6903 222 ^{f)}		
	09 73 396 6903 ^{b)}					
SMC	94 + 2 [▲]		09 73 164 7903	09 73 196 6953	09 73 164 2903	
	96			09 73 196 6520 ^{d)}		
Male connector with solder pins 13 mm	96		09 73 164 7903	09 73 164 6903	09 73 164 2903	
				09 73 364 6903 ^{b)}		
	64	09 73 364 6903 ^{b)}				
SMC	96		09 73 196 6577	09 73 196 6577	09 73 196 2577	
				09 73 196 6521 ^{d)}		
	64	09 73 164 6577				
Male connector with wrap posts ¹⁾ 13 mm	96		09 73 196 7907	09 73 196 6907	09 73 196 2907	
				09 73 696 6947 ^{●c)}		
64		09 73 164 7907	09 73 164 6907	09 73 164 2907		
			09 73 164 6947 [●]			
09 73 664 6947 ^{●c)}						
Male connector with press-in pins 5.0 mm	96		09 73 196 7904	09 73 196 6904	09 73 196 2904	
				09 73 696 6904 ^{c)}		
	09 73 196 6954					
SMC	94 + 2 [▲]		09 73 164 7904	09 73 164 6904	09 73 164 2904	
	64			09 73 164 6904		
Male connector with press-in pins 13 mm	96		09 73 196 7974 [●]	09 73 196 6985 ^{w)}	Performance level 1	
				09 73 196 6974 [●]		
	09 73 196 6995 ^{w)}	on request				
94 + 2 [▲]			09 73 164 6985 ^{w)}			
64		09 73 164 6974 [●]				

▲ Male connectors with 2 leading contacts [(0.8 mm) pos. a1 and a32]
 ● Wrap posts for interfacing selectively gold plated (performance level 3)
 1) Railway classification NFF 16-101, Smoke index: F1, Flammability class: I2
 1) To be used only for wire wrap termination

b) Connectors with snap-in clips see chapter 00
 c) Connectors with coding see chapter 00
 d) CTI > 400
 w) Wrap posts not for interfacing, no performance level

Number of contacts

96, 64



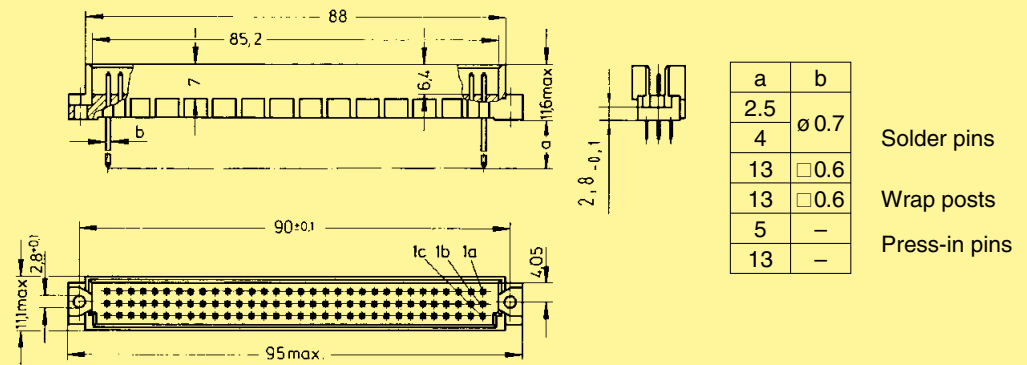
Male connectors

Identification

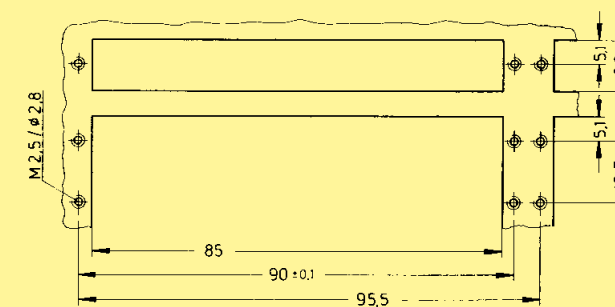
Drawing

Dimensions in mm

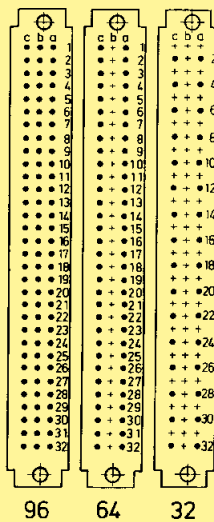
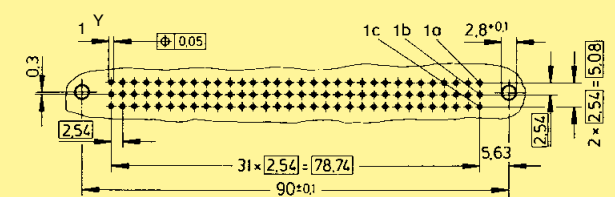
Dimensions



Panel cut out



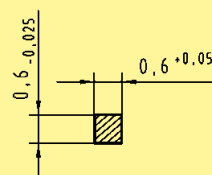
Board drillings
Mounting side



Contact arrangement
View from termination side

	Y
Solder	1 ± 0.1
Press-in	see recommendation page 00.25

Cross section of solder terminations

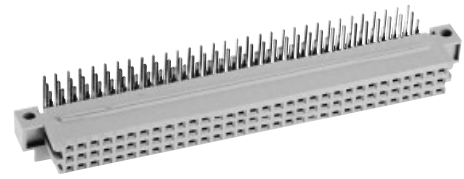


Cross area (A) of contacts row a, b, c: A = 0.35 - 0.39 mm²

DIN Signal up to 2 A

Number of contacts

96, 64, 32

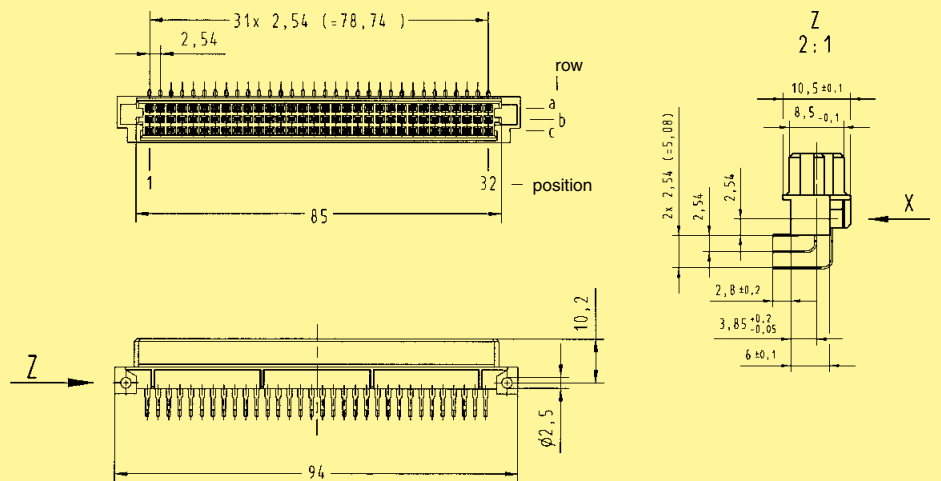


Female connectors

Identification	Number of contacts	Contact arrangement	Part No. Performance levels according to IEC 60603-2. Explanation chapter 00			
			3	2	1	
Female connector with angled solder pins	96		09 73 296 7801	09 73 296 6801 09 73 296 6801 222 ^{f)} 09 73 496 6801 ^{b)} 09 73 796 6801 ^{c)}	09 73 296 2801	
			09 73 496 7801 ^{b)}	09 73 296 6804 ^{d)} 09 73 496 6804 ^{b)d)}	09 73 496 2804 ^{b)d)}	
	SMC	96		09 73 264 7801 09 73 464 7801 ^{b)}	09 73 264 6801 09 73 464 6801 ^{b)}	09 73 264 2801
				09 73 264 6804 ^{d)} 09 73 464 6804 ^{b)d)}	09 73 264 2804 ^{d)} 09 73 464 2804 ^{b)d)}	
	SMC	64		09 73 232 7801	09 73 232 6801	09 73 232 2801
				09 73 232 6811		

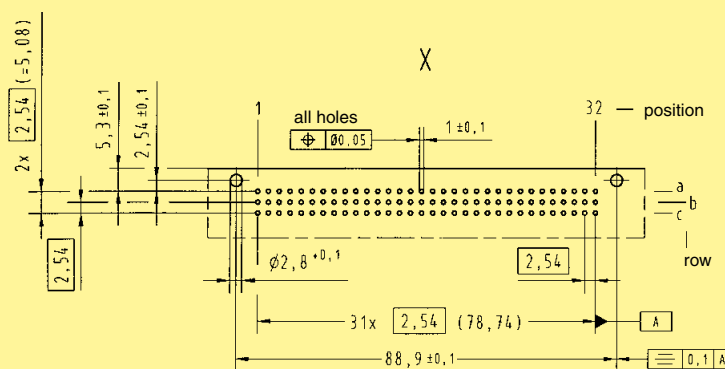
DIN Signal up to 2 A

Dimensions

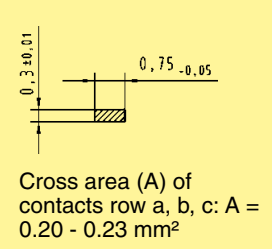


Board drillings

Mounting side



Cross section of solder terminations



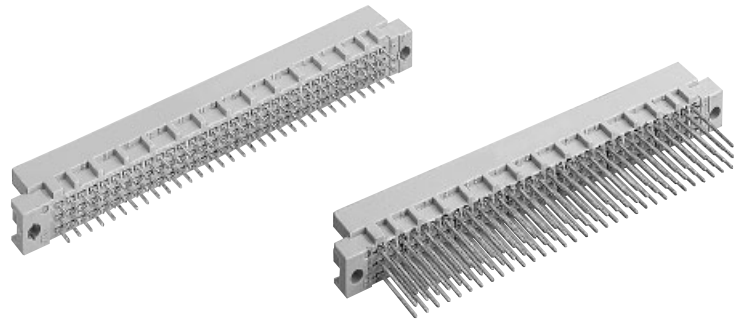
Dimensions in mm

Other contact arrangements on request
^{b)} Connectors with snap-in clips see chapter 00
^{c)} Connectors with coding see chapter 00

^{d)} CTI > 400
^{f)} Railway classification NFF 16-101, Smoke index: F1, Flammability class: I2

Number of contacts

96, 64



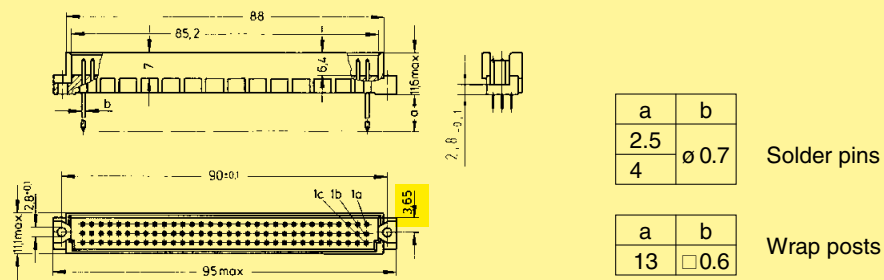
Male connectors

DIN Signal up to 2 A

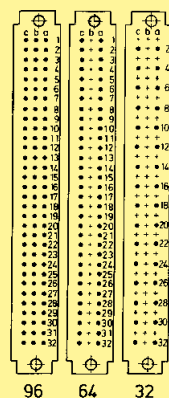
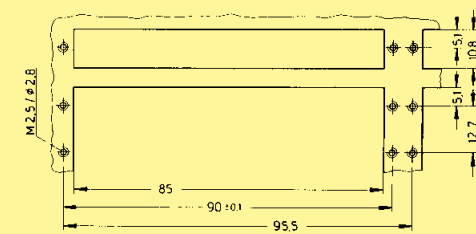
Identification Number of contacts Contact arrangement Part No. Performance levels according to IEC 60603-2. Explanation chapter 00

Identification	Number of contacts	Contact arrangement	Part No.	Performance levels according to IEC 60603-2. Explanation chapter 00		
				3	2 1	
Male connector with solder pins 2.5 mm	96		Performance level 3 on request	Performance level 3 on request	09 79 196 6902	
Male connector with solder pins 4.0 mm	96				09 79 196 6903 09 79 396 6903 ^{b)}	Performance level 1 on request
	64				09 79 164 6903 09 79 364 6903 ^{b)}	
Male connector with wrap posts ¹⁾ 13 mm	96				09 79 196 6907	
	64				09 79 164 6907	

Dimensions

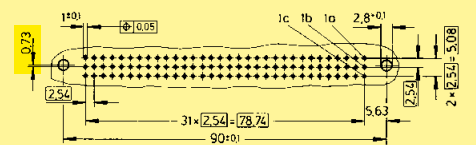


Panel cut out



Contact arrangement
View from termination side

Board drillings
Mounting side



Dimensions in mm

Other contact arrangements on request

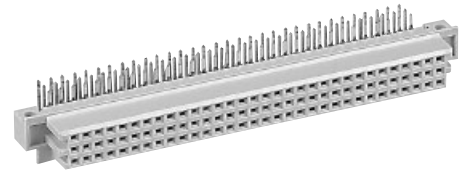
 = deviating dimensions from standard male connectors (see page 01.46f)

^{b)} Connectors with snap-in clips see chapter 00

¹⁾ To be used only for wire wrap termination

Number of contacts

96, 64

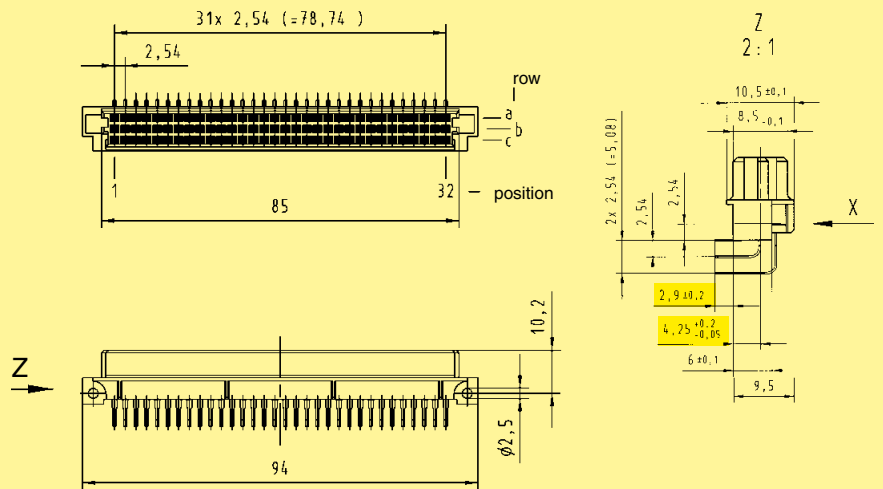


Female connectors

Identification	Number of contacts	Contact arrangement	Part No.	Performance levels according to IEC 60603-2. Explanation chapter 00		
				3	2	1
Female connector with angled solder pins	96		09 79 296 7801	09 79 296 6801 09 79 496 6801 ^{b)}	Performance level 1 on request	
	64		09 79 264 7801	09 79 264 6801 09 79 464 6801 ^{b)}		

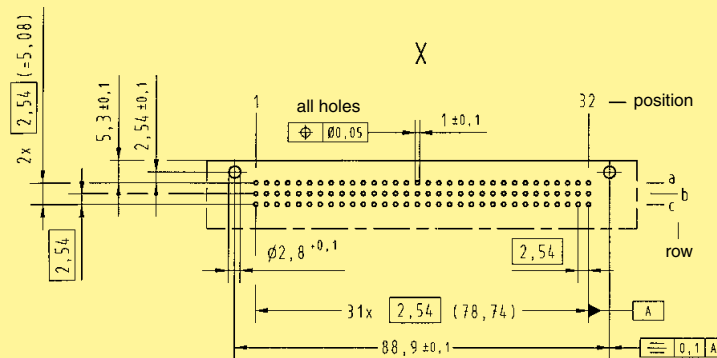
DIN Signal up to 2 A

Dimensions



Board drillings

Mounting side



Dimensions in mm

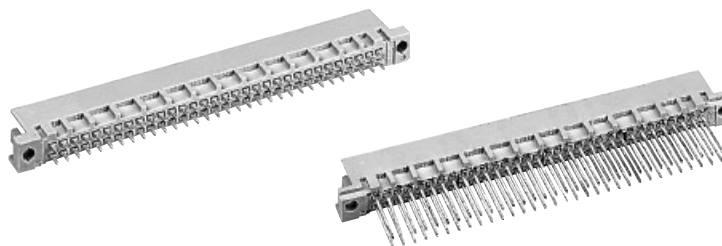
Other contact arrangements on request

^{b)} Connectors with snap-in clips see chapter 00

= deviating dimensions from standard female connectors (see page 01.49)

Number of contacts

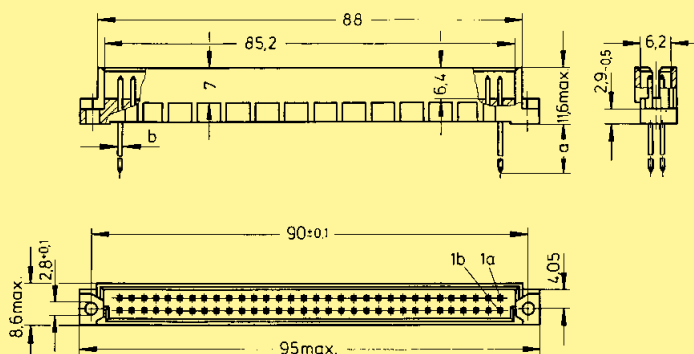
64



Male connectors

Identification	Number of contacts	Contact arrangement	Part No.	Performance levels according to IEC 60603-2. Explanation chapter 00		
				3	2	1
Male connector with solder pins 2.5 mm	64		09 72 164 7902	09 72 164 6902 09 72 364 6902 ^{b)}	Performance level 1 on request	
	4.0 mm		09 72 164 7903	09 72 164 6903		
	13 mm			09 72 164 6577		
Male connector with wrap posts ¹⁾ 13 mm	64		09 72 164 7907	09 72 164 6907		
	64			09 72 164 6909		
Male connector with press-in pins 5.0 mm	64			09 72 164 6904 09 72 164 6904 222 ^{f)} 09 72 164 6954		
	62 + 2 [▲]			09 72 164 6985 ^{w)} 09 72 164 6974* 09 72 164 6995 ^{w)}		
	64					

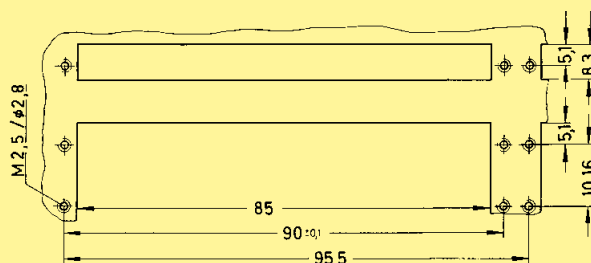
Dimensions



a	b
2.5	∅ 0.7
4	∅ 0.6
13	∅ 0.6
17	∅ 0.6
5	—
13	—

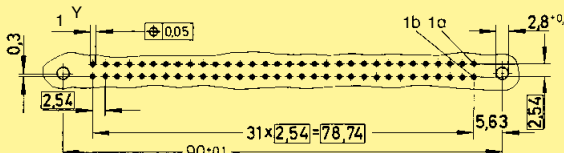
Solder pins
Wrap posts
Press-in pins

Panel cut out



Board drillings

Mounting side



	Y
Solder	1 ± 0.1
Press-in	see recommendation page 00.25

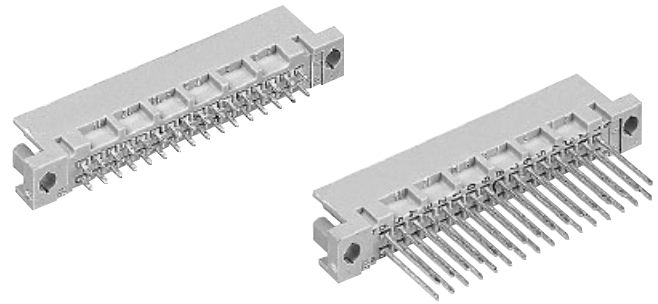
Dimensions in mm

Other contact arrangements as well with lagging/leading pins on request
 ▲ Male connectors with 2 leading contacts (0.8 mm) pos. a1 and a32/a16
 • Wrap posts for interfacing selectively gold plated (performance level 3)
 1) To be used only for wire wrap termination

b) Connectors with snap-in clips see chapter 00
 f) Railway classification NFF 16-101, Smoke index: F1, Flammability class: I2
 w) Wrap posts not for interfacing, no performance level

Number of contacts

32

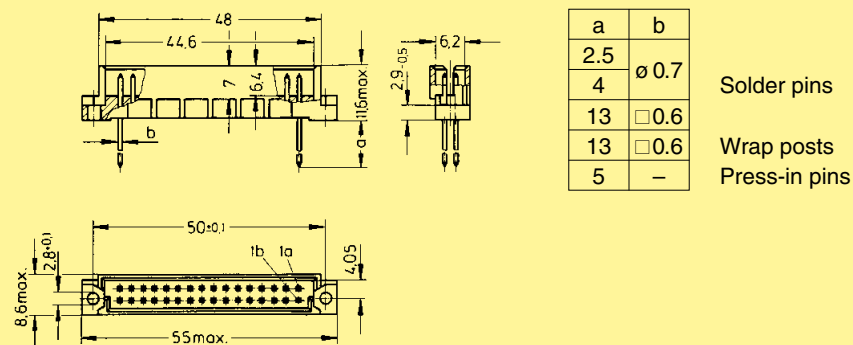


Male connectors

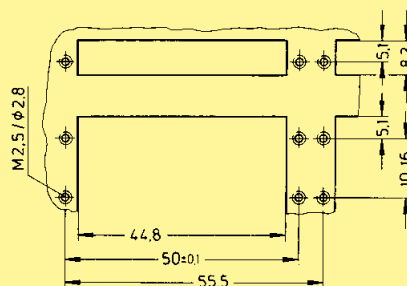
Identification	Number of contacts	Contact arrangement	Part No.	Performance levels according to IEC 60603-2. Explanation chapter 00		
				3	2	1
Male connector with solder pins 2.5 mm	32		09 27 132 7902 09 27 332 7902	09 27 132 6902	09 27 132 2903	
	32		09 27 132 7903	09 27 132 6903 09 27 132 6903 222 ^{f)}		
	32			09 27 132 6577		
Male connector with wrap posts ¹⁾ 13 mm	32		09 27 132 7907	09 27 132 6907		
Male connector with press-in pins 5.0 mm	32 30 + 2 [▲]			09 27 132 6904 09 27 132 6954		

DIN Signal up to 2 A

Dimensions

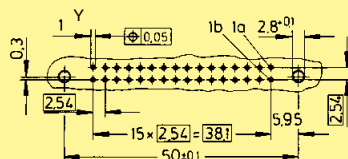


Panel cut out



Board drillings

Mounting side



	Y
Solder	1 ± 0.1
Press-in	see recommendation page 00.25

Dimensions in mm

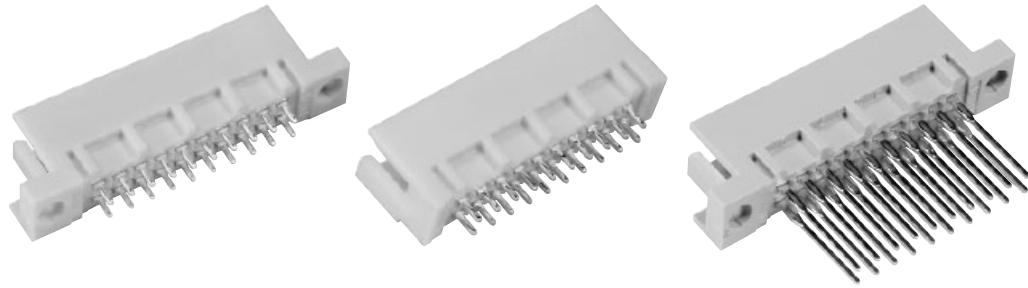
Other contact arrangements as well with lagging/leading pins on request
[▲] Male connectors with 2 leading contacts (0.8 mm) pos. a1 and a32/a16
¹⁾ To be used only for wire wrap termination
^{f)} Railway classification NFF 16-101, Smoke index: F1, Flammability class: I2

DIN 41 612 · complementary type 3Q



Number of contacts

20



Male connectors

Identification	Number of contacts	Contact arrangement	Part No.	Performance levels according to IEC 60603-2. Explanation chapter 00														
				3	2	1												
Male connector with solder pins 2.5 mm			Performance level 3 on request															
with fixing flange	20					09 75 120 6902												
with fixing flange, SMC	20					09 75 120 6519 ^{d)}												
without fixing flange	20					09 75 120 6592												
without fixing flange, SMC	20					09 75 120 6569 ^{d)}												
Male connector with solder pins 4.0 mm						Performance level 3 on request		Performance level 1 on request										
with fixing flange	20								09 75 120 6903									
with fixing flange, SMC	20								09 75 120 6520 ^{d)}									
without fixing flange	20								09 75 120 6593									
without fixing flange, SMC	20								09 75 120 6570 ^{d)}									
Male connector with solder pins 13 mm									Performance level 3 on request		Performance level 1 on request							
with fixing flange	20											09 75 120 6577						
with fixing flange, SMC	20											09 75 120 6521 ^{d)}						
Male connector with wrap posts¹⁾ 13 mm												Performance level 3 on request		Performance level 1 on request				
with fixing flange	20														09 75 120 6907			
Male connector with press-in pins 5.0 mm															Performance level 3 on request		Performance level 1 on request	
with fixing flange	20		09 75 120 6904															
without fixing flange	20		09 75 120 6504															
Male connector with press-in pins 13 mm			Performance level 3 on request		Performance level 1 on request													
with fixing flange	20																	09 75 120 6985 ^{w)} 09 75 120 6974*
without fixing flange	20																	09 75 120 6574*

DIN Signal up to 2 A

01
54

* Wrap posts for interfacing selectively gold plated (performance level 3)

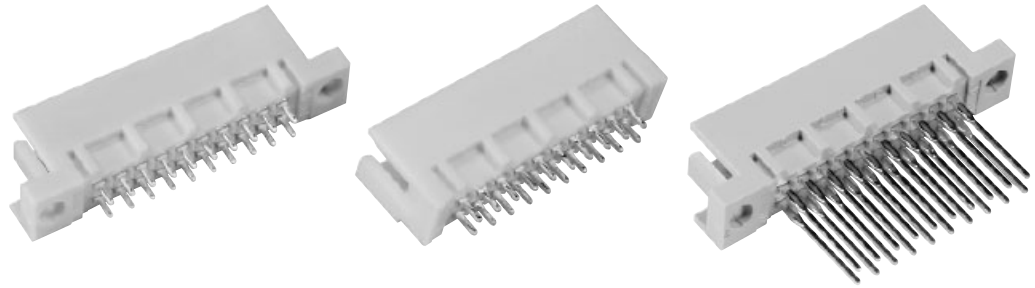
¹⁾ To be used only for wire wrap termination

^{d)} CTI > 400

^{w)} Wrap posts not for interfacing, no performance level

Number of contacts

20



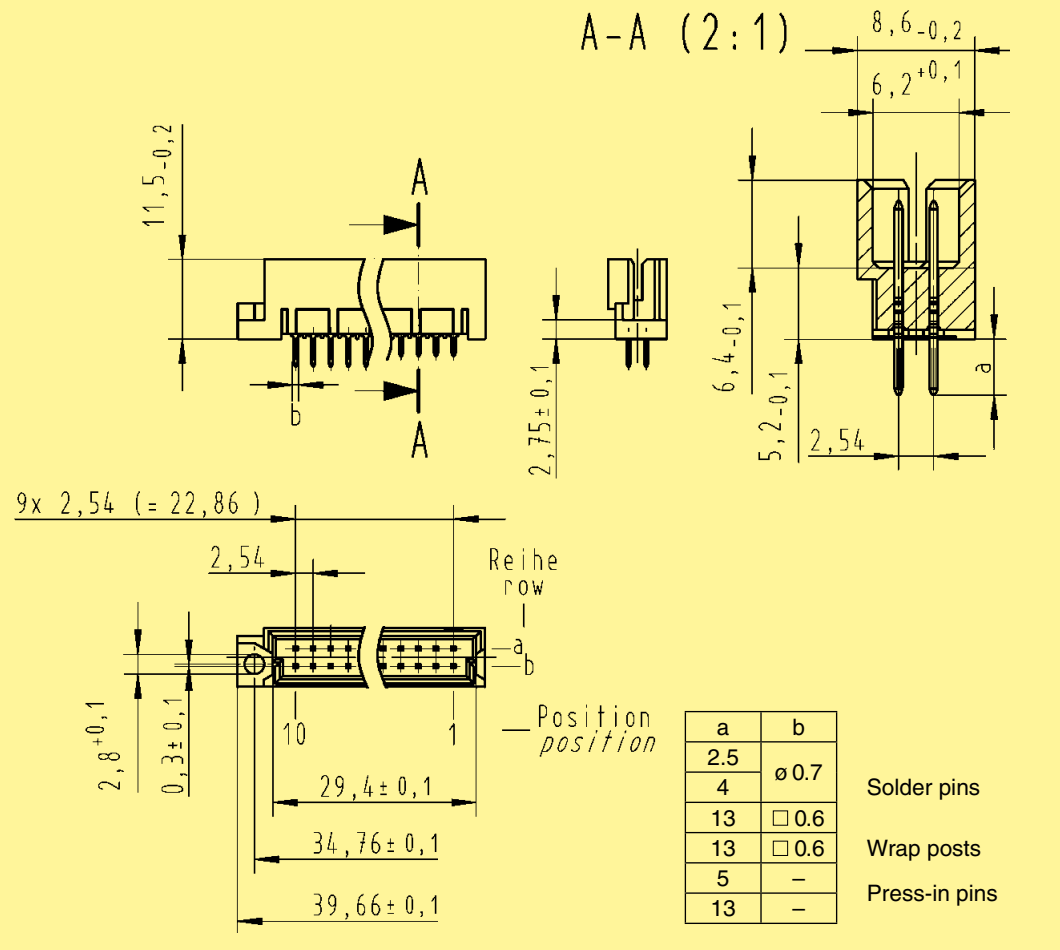
Male connectors

Identification

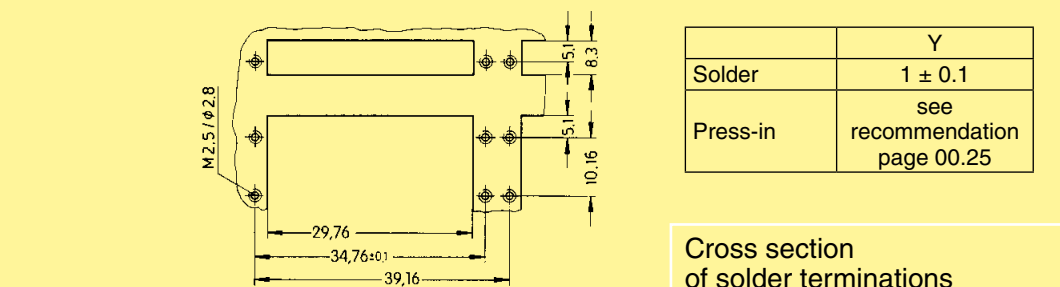
Drawing

Dimensions in mm

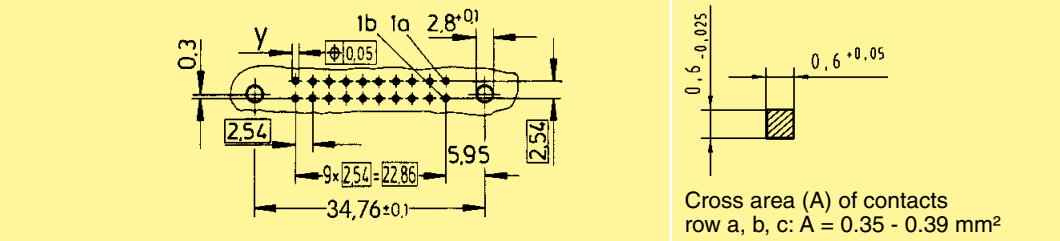
Dimensions



Panel cut out



Board drillings
Mounting side

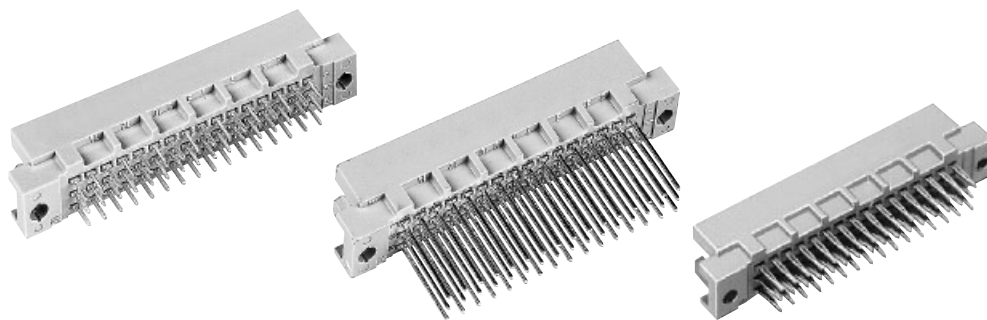


Other contact arrangements as well with lagging/leading pins on request

DIN Signal
up to 2 A

Number of contacts

48, 32



Male connectors

DIN Signal up to 2 A

Identification	Number of contacts	Contact arrangement	Part No.	Performance levels according to IEC 60603-2. Explanation chapter 00		
				3	2	1
Male connector with solder pins 2.5 mm	48		09 28 148 7902 09 28 348 7902 ^{b)}	09 28 148 6902 09 28 348 6902 ^{b)}	09 28 148 2902	
		SMC				09 28 148 6519 ^{d)}
	32		09 28 132 7902	09 28 132 6902	09 28 132 2902	
		SMC				09 28 132 6519 ^{d)}
Male connector with solder pins 4.0 mm	48		09 28 148 7903	09 28 148 6903 09 28 148 6903 222 ^{f)} 09 28 348 6903 ^{b)}	09 28 148 2903	
		SMC				09 28 148 6520 ^{d)}
	32		09 28 132 7903	09 28 132 6903		
		SMC				09 28 132 6520 ^{d)}
Male connector with solder pins 13 mm	48			09 28 148 6577		
	SMC	48		09 28 148 6521 ^{d)}		
Male connector with wrap posts ¹⁾ 13 mm	48		09 28 148 7907	09 28 148 6907	09 28 148 2907	
	32		09 28 132 7907	09 28 132 6907	09 28 132 2907	
Male connector with press-in pins 5.0 mm	48		09 28 148 7904	09 28 148 6904 09 28 148 6904 222 ^{f)}		
	32					09 28 132 6904
Male connector with press-in pins 13 mm	48		09 28 148 7985	09 28 148 6985 ^{w)} 09 28 148 6974 [*]		
	32			09 28 132 6985 ^{w)}		

* Wrap posts for interfacing selectively gold plated (performance level 3)
¹⁾ To be used only for wire wrap termination
^{b)} Connectors with snap-in clips see chapter 00
^{d)} CTI > 400

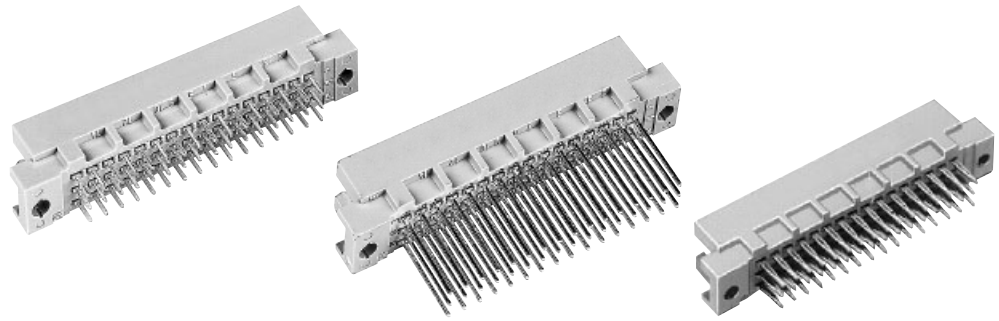
^{f)} Railway classification NFF 16-101, Smoke index: F1, Flammability class: I2
^{w)} Wrap posts not for interfacing, no performance level

DIN 41 612 · complementary type 2R



Number of contacts

48, 32



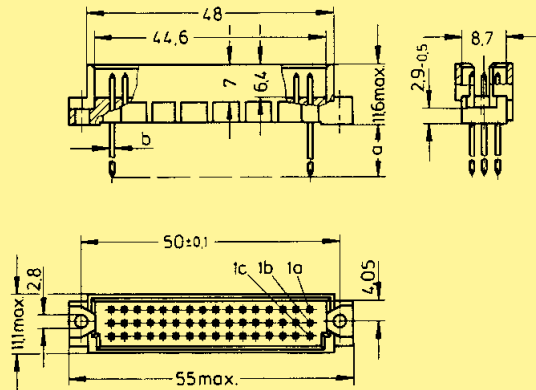
Male connectors

Identification

Drawing

Dimensions in mm

Dimensions



a	b
2.5	∅ 0.7
4	∅ 0.6
13	∅ 0.6
5	—
13	—

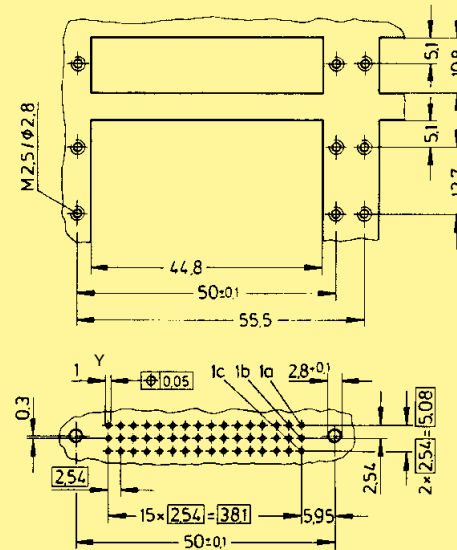
Solder pins

Wrap posts

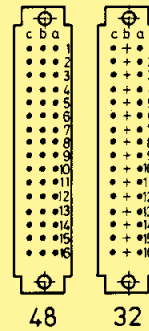
Press-in pins

Panel cut out

Board drillings
Mounting side

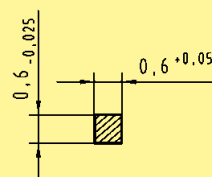


Contact arrangement
View from termination side



	Y
Solder	1 ± 0.1
Press-in	see recommendation page 00.25

Cross section of solder terminations



Cross area (A) of contacts row a, b, c: A = 0.35 - 0.39 mm²

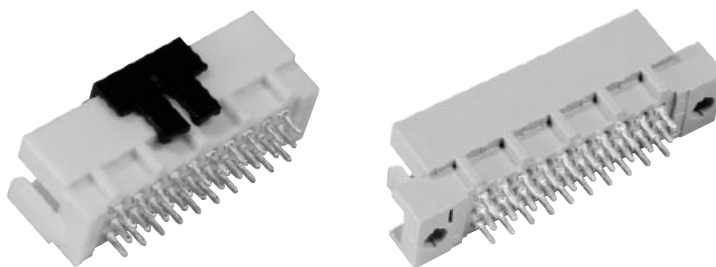
DIN Signal
up to 2 A

DIN 41 612 · complementary type 3R



Number of contacts

30, 20



Male connectors

DIN Signal up to 2 A

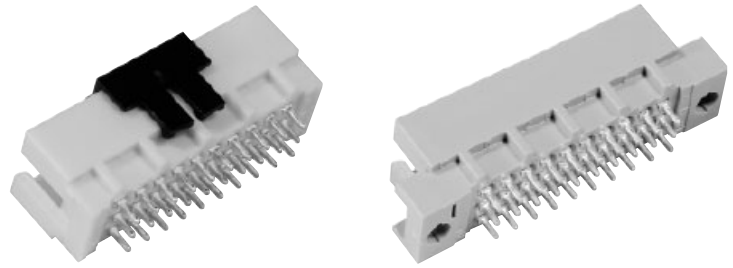
Identification	Number of contacts	Contact arrangement	Part No.	Performance levels according to IEC 60603-2. Explanation chapter 00		
				3	2	1
Male connector with solder pins 2.5 mm	30		Performance level 3 on request	09 29 130 6902	Performance level 1 on request	
with fixing flange	20			09 29 120 6902		
with fixing flange, SMC	30			09 29 130 6519 ^{d)}		
without fixing flange	30			09 29 130 6592		
without fixing flange, SMC	30			09 29 130 6569 ^{d)}		
Male connector with solder pins 4.0 mm	30			09 29 130 6903		
with fixing flange	20			09 29 120 6903		
with fixing flange, SMC	30			09 29 130 6520 ^{d)}		
without fixing flange	30			09 29 130 6593		
without fixing flange, SMC	30			09 29 130 6570 ^{d)}		
Male connector with solder pins 13 mm	30			09 29 130 6577		
with fixing flange	20			09 29 120 6577		
with fixing flange, SMC	30			09 29 130 6521 ^{d)}		
Male connector with wrap posts ¹⁾ 13 mm	30			09 29 130 6907		
Male connector with press-in pins 5.0 mm	30			09 29 130 6904		
with fixing flange	20		09 29 120 6904			
without fixing flange	30		09 29 130 6504			
Male connector with press-in pins 13 mm	30		09 29 130 6985 ^{w)} 09 29 130 6974*			
with fixing flange	20		09 29 120 6974*			
without fixing flange	30		09 29 130 6574*			

01
58

* Wrap posts for interfacing selectively gold plated (performance level 3)
¹⁾ To be used only for wire wrap termination
^{d)} CTI > 400
^{w)} Wrap posts not for interfacing, no performance level

Number of contacts

30, 20



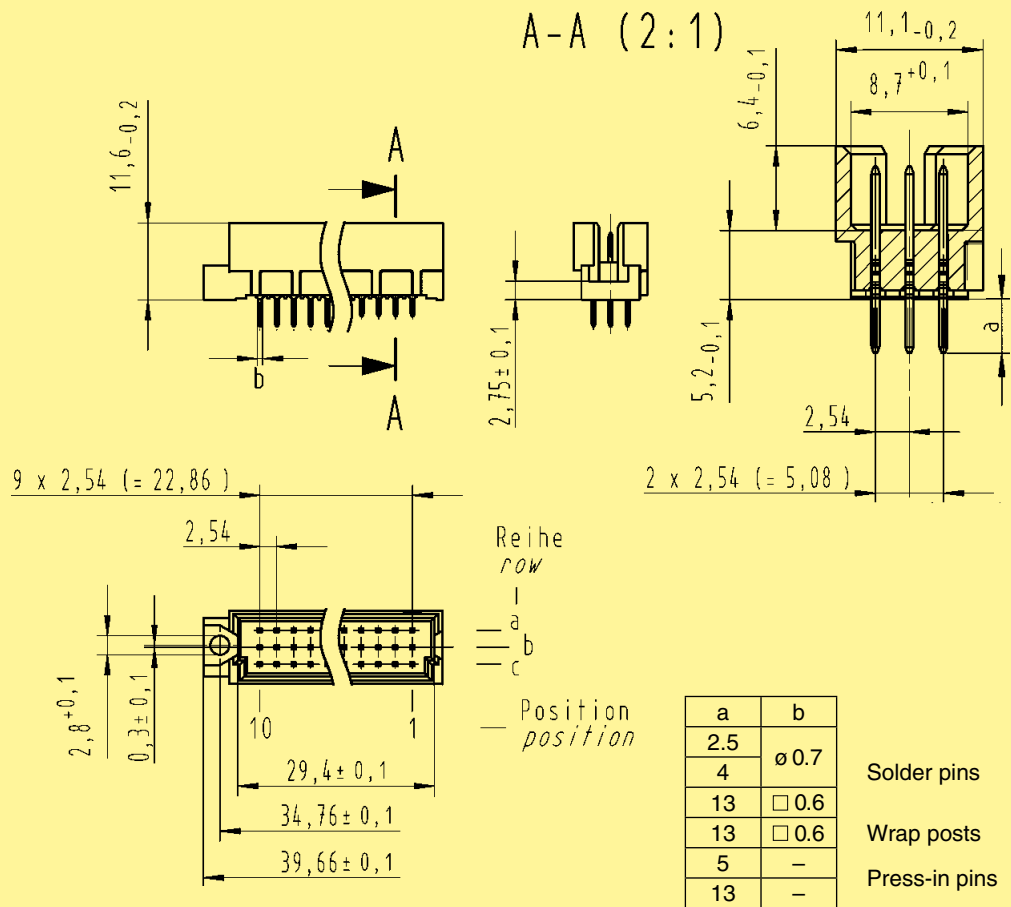
Male connectors

Identification

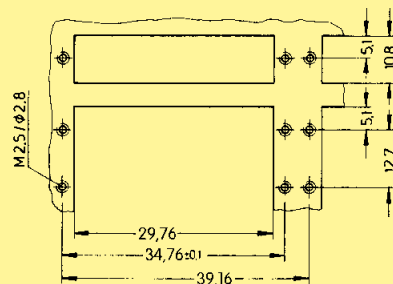
Drawing

Dimensions in mm

Dimensions



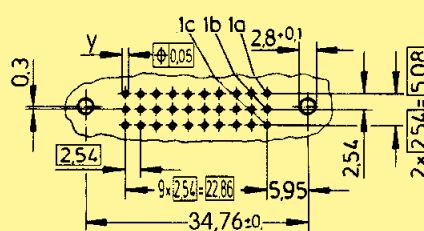
Panel cut out



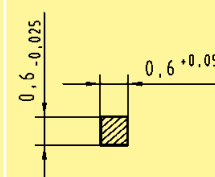
	Y
Solder	1 ± 0.1
Press-in	see recommendation page 00.25

Board drillings

Mounting side



Cross section of solder terminations



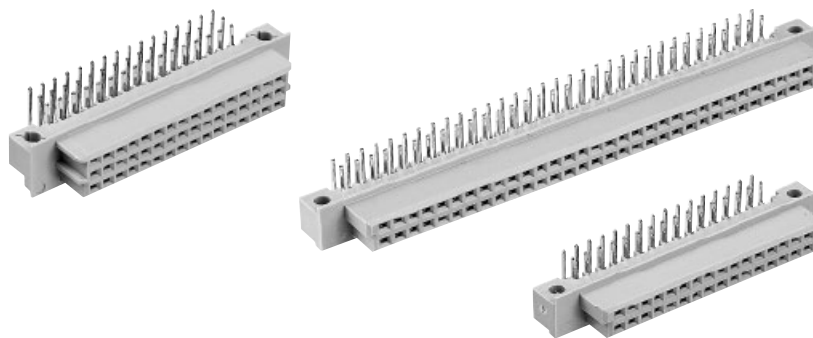
Cross area (A) of contacts row a, b, c: A = 0.35 - 0.39 mm²

DIN 41 612 · Type Q – complementary types 2Q, 2R



Number of contacts

64, 48, 32

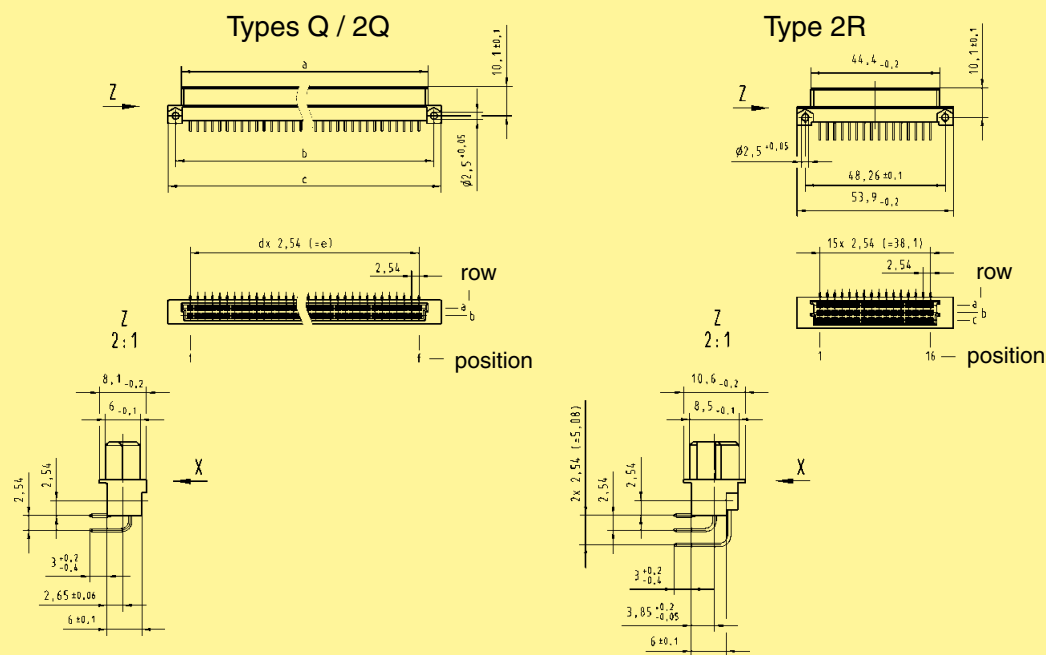


Female connectors

DIN Signal up to 2 A

Identification	Number of contacts	Contact arrangement	Part No.
Female connector with angled solder pins Type Q	64		09 72 264 6801 09 72 464 6801 ^{b)}
Type 2Q	32		09 27 232 6801
Type 2R	48		09 28 248 6801 09 28 448 6801 ^{b)}

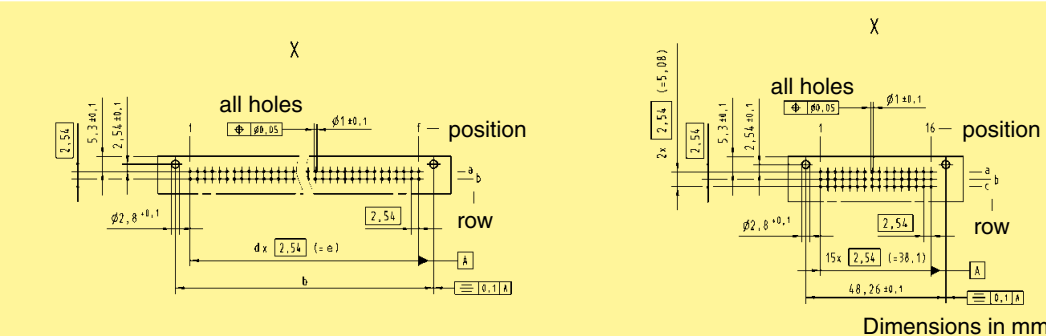
Dimensions



Type	a	b	c	d	e	f
Q	85.0 ^{-0.2}	88.90 ^{±0.1}	94.0 ^{-0.2}	31	78.74	32
2Q	44.4 ^{-0.2}	48.26 ^{±0.1}	53.9 ^{-0.2}	15	38.10	16

Board drillings

Mounting side

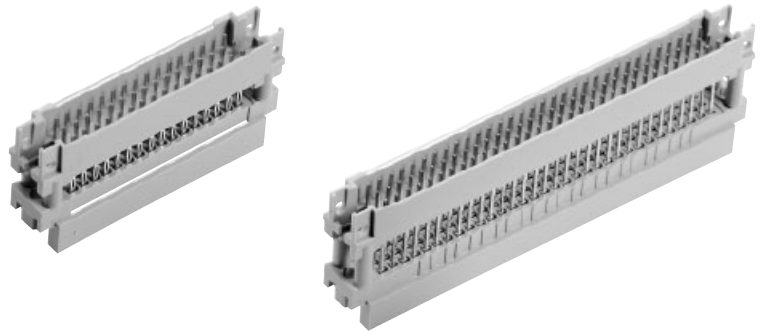


Dimensions in mm

Other contact arrangements on request
^{b)} Connectors with snap-in clips see chapter 00

Number of contacts

96, 48

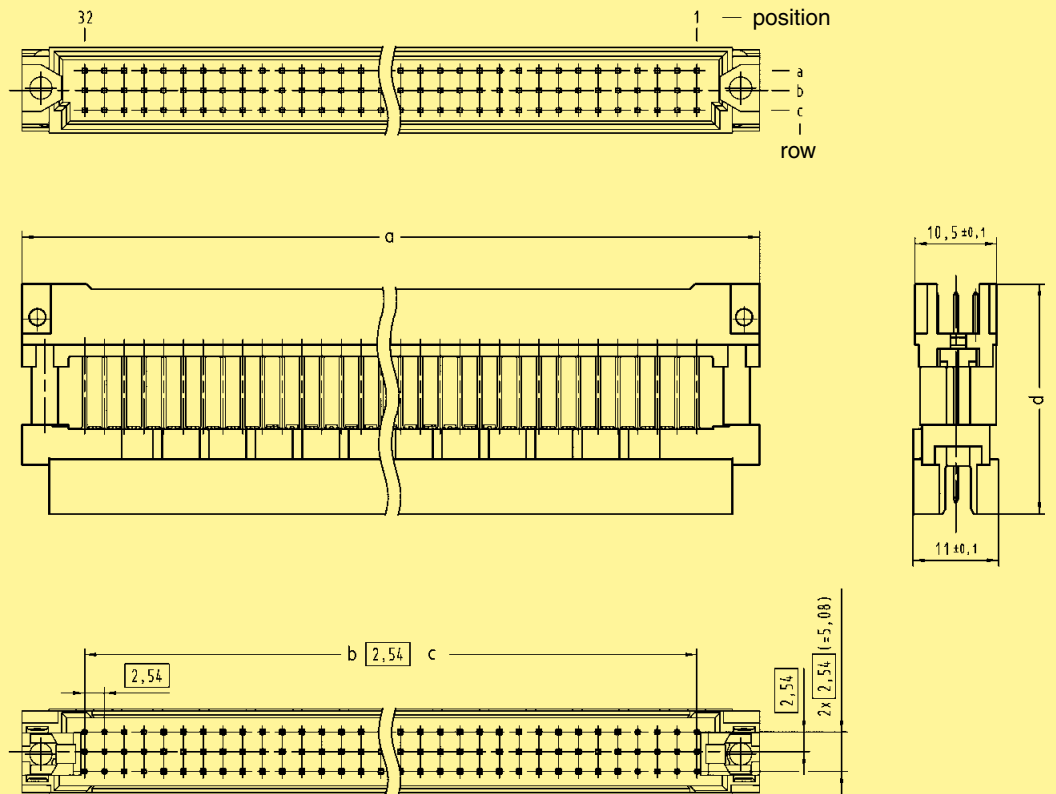


Mezzanine Adapter

Identification	Number of contacts	Contact arrangement	Part No.	Performance levels according to IEC 60 603-2.		
				3	2	1
Male connector type R with pin shroud for pcb distance 41 mm	96		Performance level 3 on request			09 73 196 5531
Male connector type 2R with pin shroud for pcb distance 41 mm 37.5 mm	48				09 28 148 6532	09 28 148 5531

DIN Signal up to 2 A

Dimensions



	a	b	c	d
09 73 196 5531	94.9 ± 0.1	31	78.74	29.6 ± 0.3
09 28 148 5531	54.9 ± 0.1	15	38.1	29.6 ± 0.3
09 28 148 6532	54.9 ± 0.1	15	38.1	26.15 ± 0.3

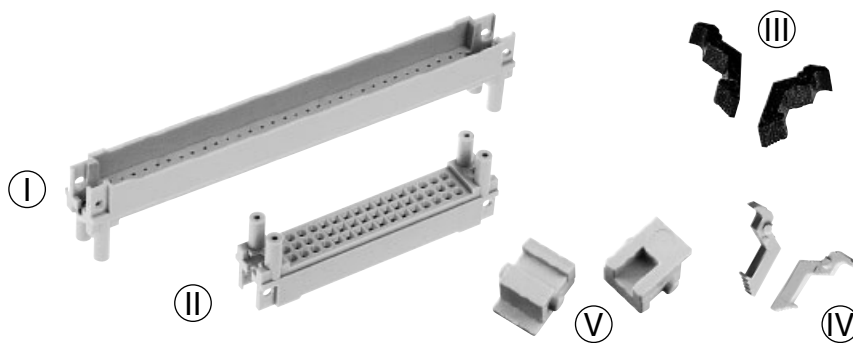
Dimensions in mm

Pin shroud



Number of contacts

96, 48



Pin shrouds
for types C, 2C, R, 2R

DIN Signal
up to 2 A

Identification	Termination length ± 0.3	pcb-thickness ± 0.4	Dimension a ± 0.1	Part No. – Pin shrouds with	
				press-in fixing ¹⁾	screw fixing
Pin shrouds for female connectors type C, R I	13.0/ 13.2	1.6	6.7	09 03 000 9956	09 03 000 9966
		2.4	5.9	09 03 000 9957	09 03 000 9967
		3.2	5.1	09 03 000 9958	09 03 000 9968
		4.0	4.3	09 03 000 9959	09 03 000 9969
	17.0	1.6	9.9	09 03 000 9952	09 03 000 9962
		2.4	9.1	09 03 000 9953	09 03 000 9963
		3.2	8.3	09 03 000 9954	09 03 000 9964
		4.0	7.5	09 03 000 9955	09 03 000 9965
		4.8	6.7	09 03 000 9956	09 03 000 9966
		5.6	5.9	09 03 000 9957	09 03 000 9967
		6.4	5.1	09 03 000 9958	09 03 000 9968
	20.0	3.2	11.75	09 03 000 9950	09 03 000 9960
		4.0	10.7	09 03 000 9951	09 03 000 9961
		4.8	9.9	09 03 000 9952	09 03 000 9962
		5.6	9.1	09 03 000 9953	09 03 000 9963
		6.4	8.3	09 03 000 9954	09 03 000 9964
		7.2	7.5	09 03 000 9955	09 03 000 9965
Pin shrouds for female connectors type 2C, 2R II	13.0/ 13.2	1.6	6.7	09 23 000 9956	09 23 000 9966
		2.4	5.9	09 23 000 9957	09 23 000 9967
		3.2	5.1	09 23 000 9958	09 23 000 9968
		4.0	4.3	09 23 000 9959	09 23 000 9969
	17.0	1.6	9.9	09 23 000 9952	09 23 000 9962
		2.4	9.1	09 23 000 9953	09 23 000 9963
		3.2	8.3	09 23 000 9954	09 23 000 9964
		4.0	7.5	09 23 000 9955	09 23 000 9965
		4.8	6.7	09 23 000 9956	09 23 000 9966
		5.6	5.9	09 23 000 9957	09 23 000 9967
		6.4	5.1	09 23 000 9958	09 23 000 9968
	20.0	3.2	11.75	09 23 000 9950	09 23 000 9960
		4.0	10.7	09 23 000 9951	09 23 000 9961
		4.8	9.9	09 23 000 9952	09 23 000 9962
		5.6	9.1	09 23 000 9953	09 23 000 9963
		6.4	8.3	09 23 000 9954	09 23 000 9964
		7.2	7.5	09 23 000 9955	09 23 000 9965

Identification	Part No.
Locking lever for female connectors type C, 2C* III	09 03 000 9914
Locking lever for female connectors type R, 2R* IV	09 03 000 9913
Fixing bracket for shell housing C* V	09 03 000 9921

* order 2 pieces per connector

¹⁾ Processing only with press-in tools, see chapter 30

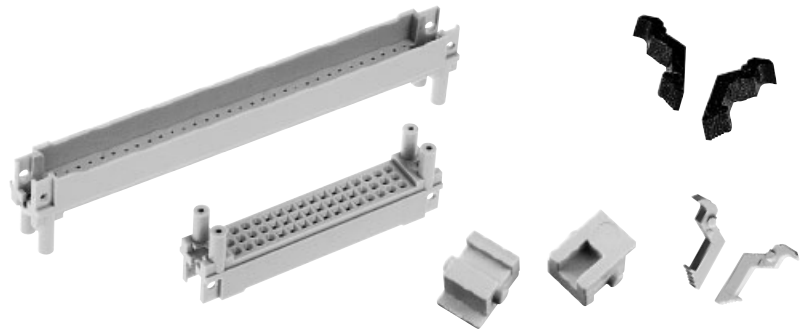
Pin shroud



Number of contacts

96, 48

Pin shrouds
for types C, 2C, R, 2R

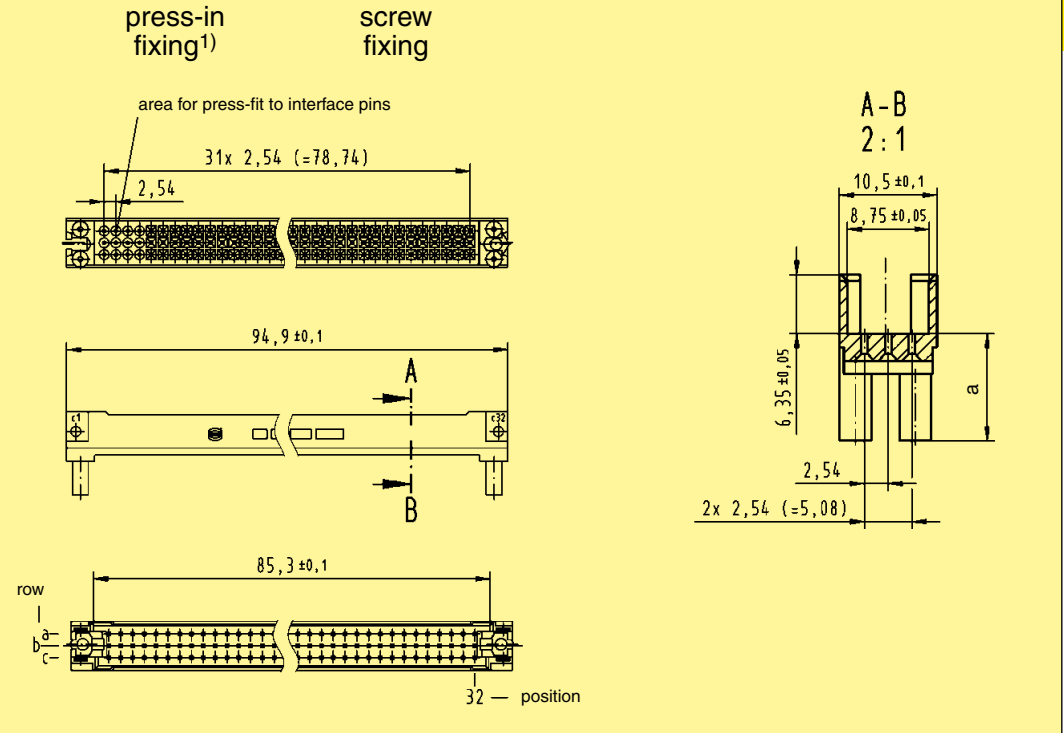


Identification

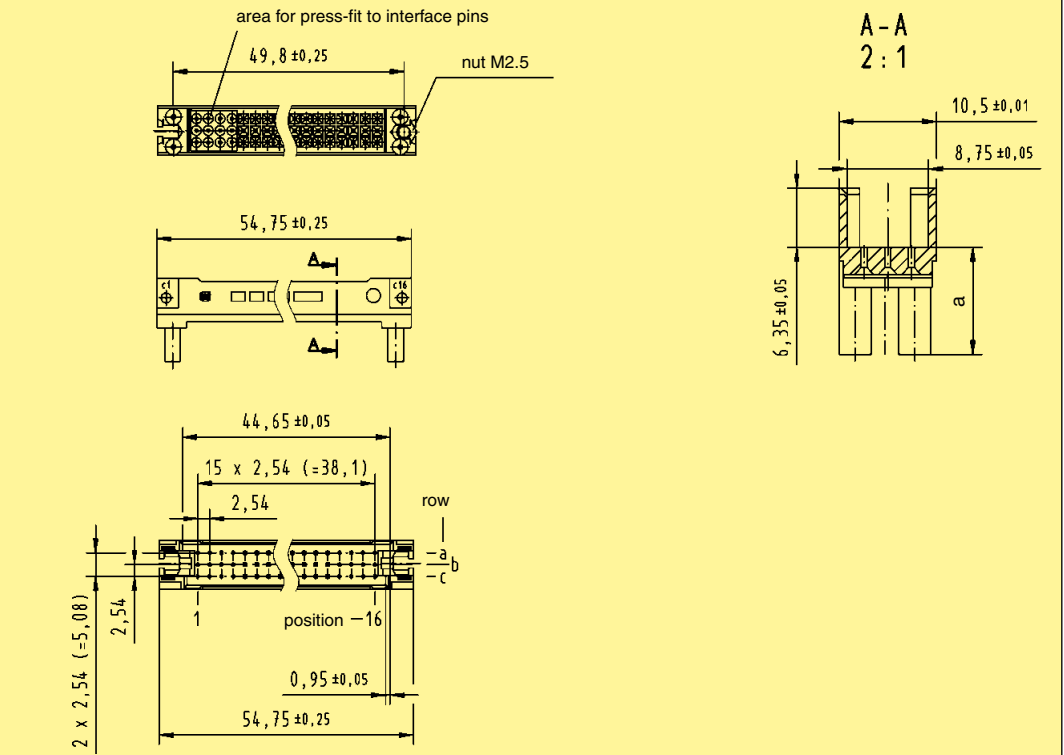
Drawing

Dimensions in mm

Pin shrouds
for female connectors
type C, R



Pin shrouds
for female connectors
type 2C, 2R



DIN Signal
up to 2 A

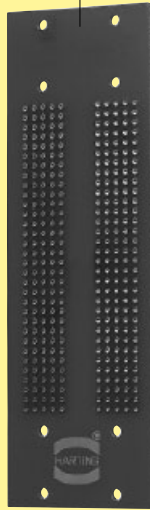
¹⁾ Tooling see chapter 30

Application 1

Female connector
09 03 296 6861



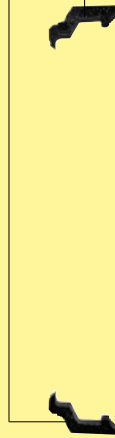
Backplane



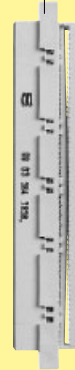
Pin shroud
09 03 000 9957



Locking lever
09 03 000 9914



Female connector
09 03 264 6828



Female connector
09 03 096 3214

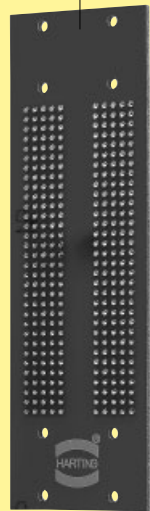


Application 2

Female connector
09 03 296 6862



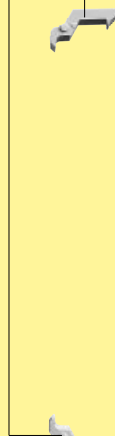
Backplane



Pin shroud
09 03 000 9953



Locking lever
09 03 000 9913



Female connector
09 73 296 6801



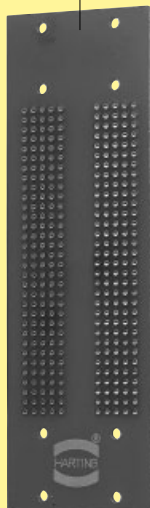
Daughtercard

Application 3

Female connector
09 03 296 6861



Backplane



Pin shroud
09 03 000 9957



Fixing brackets
09 03 000 9921



Female connector
09 03 096 3214



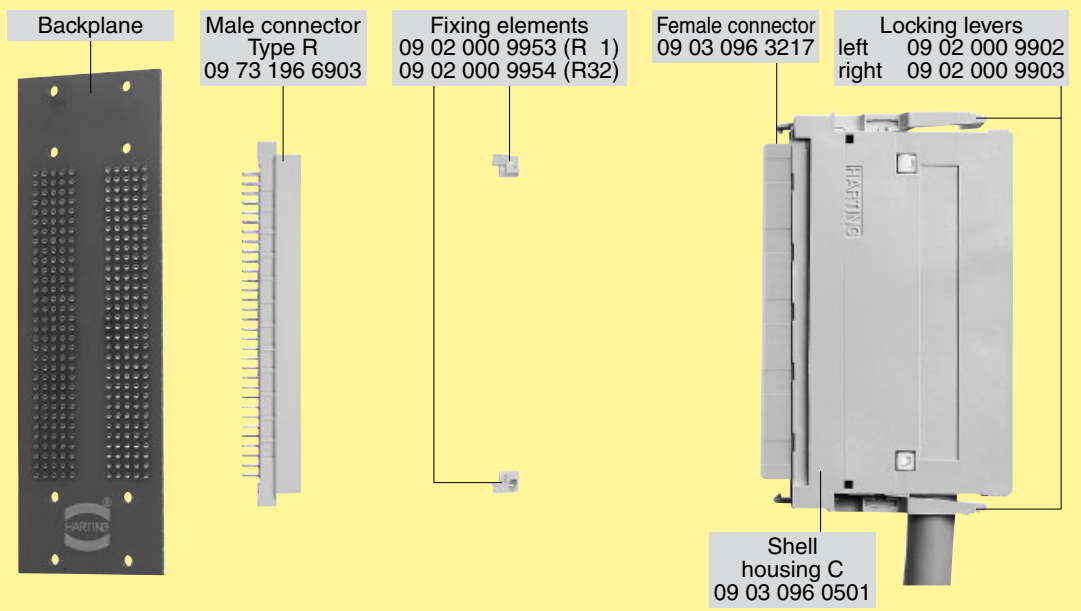
Locking levers
left 09 02 000 9902
right 09 02 000 9903

Shell housing C
09 03 096 0501



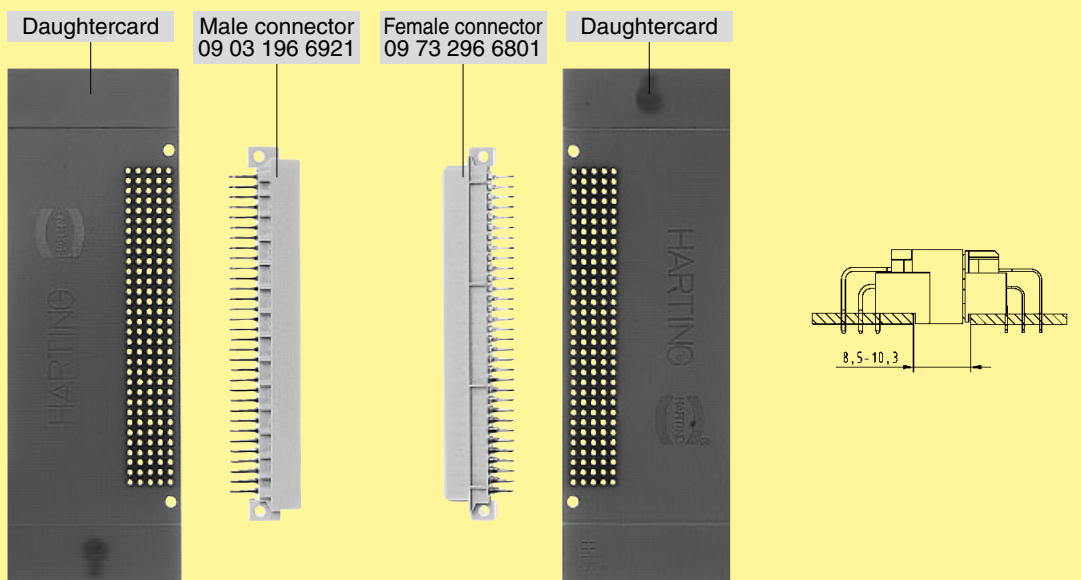
DIN Signal
up to 2 A

Application 4

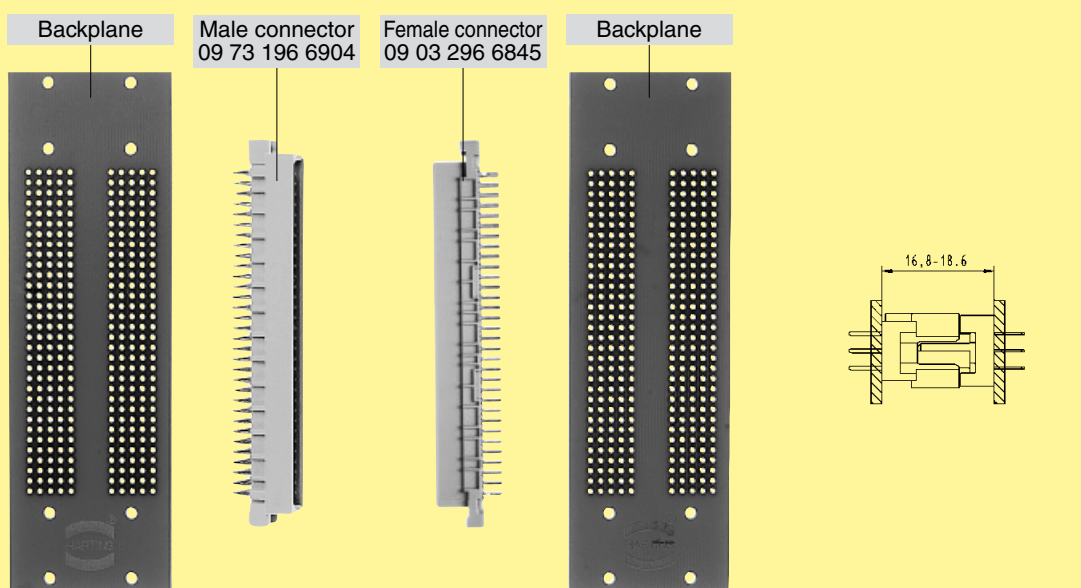


DIN Signal up to 2 A

Application 5*

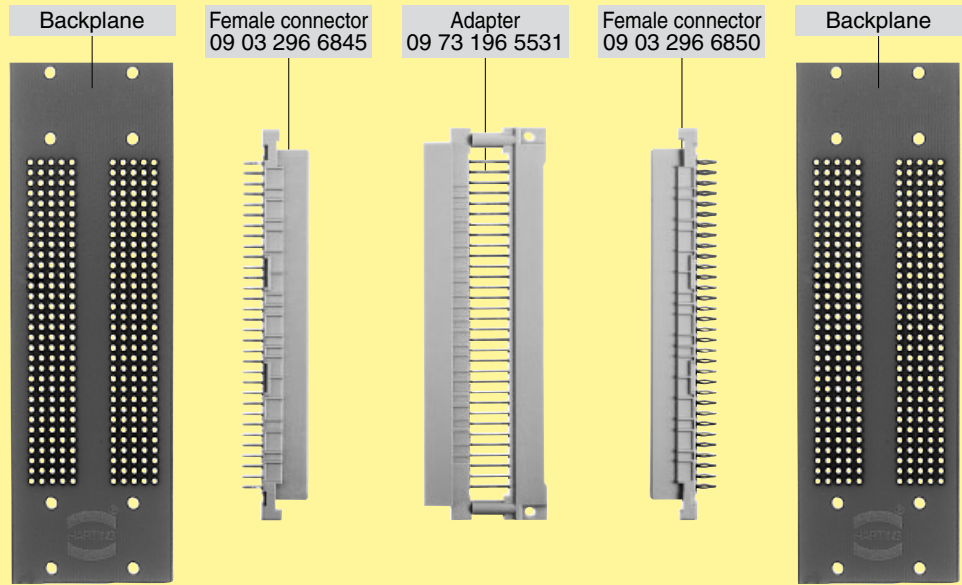
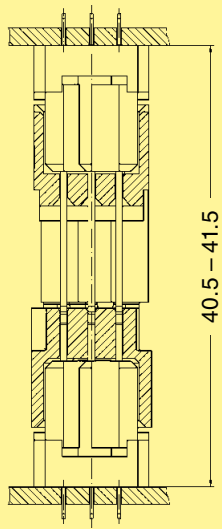


Application 6*

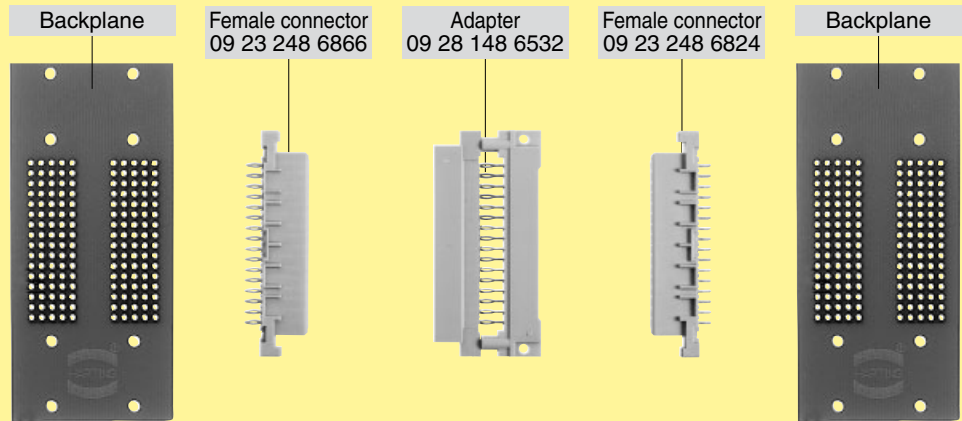
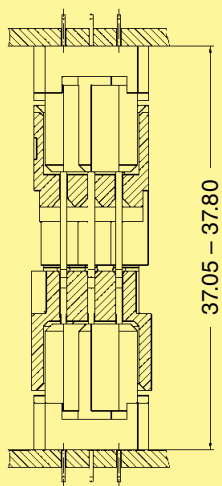


* Position marking turned: a1 contacts a32, a2 contacts a31, ...

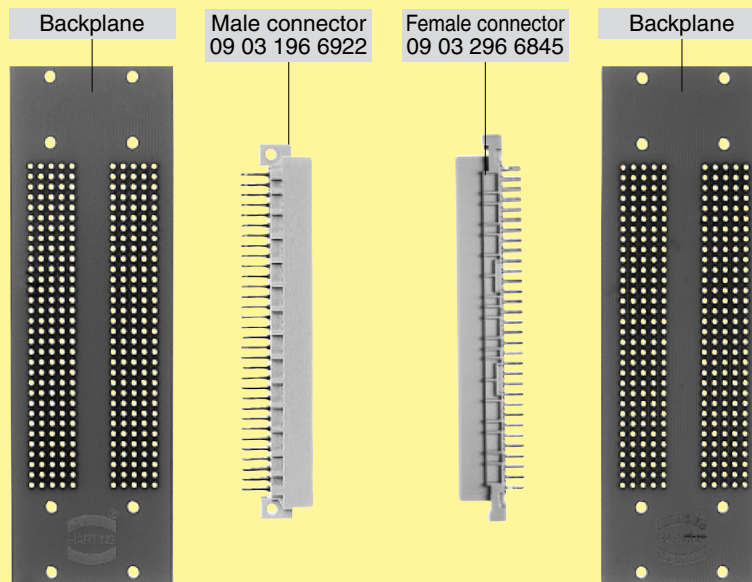
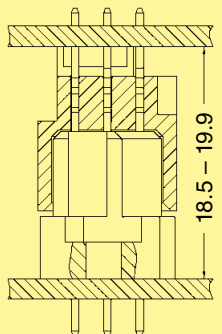
Application 7



Application 8



Application 9



DIN Signal
up to 2 A